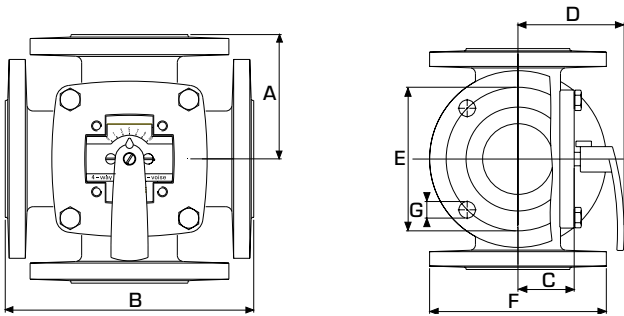
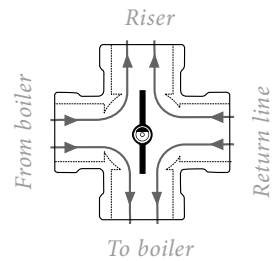


ROTARY MOTORIZED VALVES
MIXING VALVE
SERIES 4F



Flanged connection PN6,
 standard EN 1092-2



The flat-sided spindle top
 (as well as the indicator of the knob)
 points towards the sleeve position.

SERIES 4F

Art. No.	Reference	DN	Kvs*	A	B	C	D	E	F	G	Weight [kg]
1110 17 00	4F 32	32	28	80	160	40	82	90	120	4x15	7.0
1110 18 00	4F 40	40	44	88	175	40	82	100	130	4x15	8.2
1110 19 00	4F 50	50	60	98	195	50	92	110	140	4x15	11.0
1110 20 00	4F 65	65	90	100	200	50	92	130	160	4x15	12.2
1110 21 00	4F 80	80	150	120	240	65	108	150	190	4x18	20.0
1110 22 00	4F 100	100	225	132	265	81	124	170	210	4x18	25.0
1110 23 00	4F 125	125	280	150	300	81	124	200	240	8x18	35.0
1110 24 00	4F 150	150	400	175	350	89	131	225	265	8x18	45.0

* Kvs-value in m³/h at a pressure drop of 1 bar. Flow chart, see product catalogue.