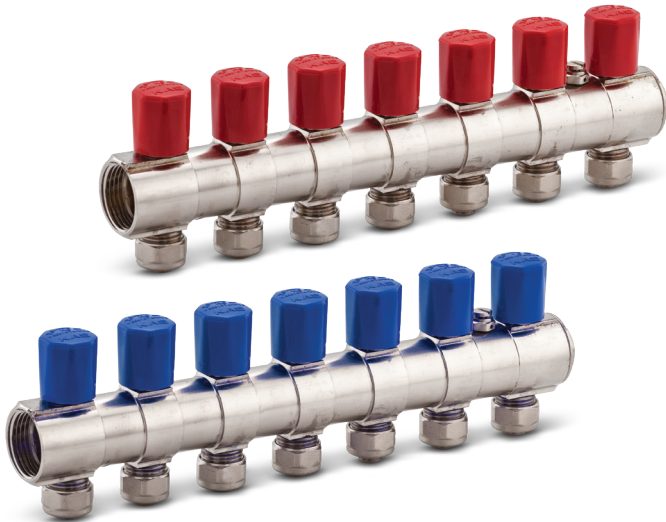


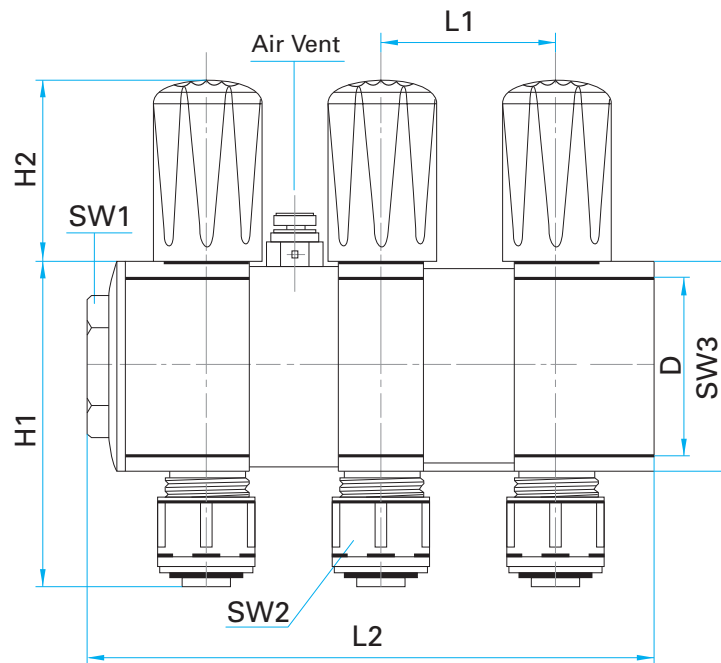
1" Manifold

KAS®



TECHNICAL DATA SHEET

Product Name	1" Manifold
Standard	TSE K 534 / TSEK
Max. Working Temperature	120°C
Pressure Class	PN 10
Intended Use	Heating Systems



Dimensions	PRODUCT CODE - 1801...											
	582	583	584	585	586	587	588	589	590	591	592	593
Hole	2	3	4	5	6	7	8	9	10	11	12	13
D	1"	1"	1"	1"	1"	1"	1"	1"	1"	1"	1"	1"
H1	59	59	59	59	59	59	59	59	59	59	59	59
H2	34	34	34	34	34	34	34	34	34	34	34	34
SW1	24	24	24	24	24	24	24	24	24	24	24	24
SW2	24	24	24	24	24	24	24	24	24	24	24	24
SW3	38	38	38	38	38	38	38	38	38	38	38	38
L1	43	43	43	43	43	43	43	43	43	43	43	43
L2	95,7	138,7	181,7	224,7	267,7	310,7	353,7	396,7	439,7	482,7	525,7	568,7

1" Manifold



MATERIALS	
Body	Brass (CW617N)/(CW614N)
Valve	Brass (CW617N)/(CW614N)
Cover	Brass (CW617N)/(CW614N)
Nut	Brass (CW617N)/(CW614N)
Socket	Brass (CW617N)/(CW614N)
Ring	Brass (CW617N)/(CW614N)
Air Vent	Brass (CW617N)/(CW614N)
Handle	Plastic
Gasket - Oring	NBR /EPDM

SURFACE SPECTS (PLATING)	
Body	Nickel + Chrome
Nipple	Nickel + Chrome
Cover	Nickel
Nut	Nickel
Air Vent	Nickel

INSTALLATION and OPERATING INSTRUCTION

- 1- Make sure there is no damage on the product may occur during transport and shipping. Before assembly do not unpack the product in order to prevent from the external effects.
- 2- Clean all kinds of contaminants before assembly.
- 3- Make sure that the thread length to be connected to the manifold is not too short or too long than the thread length of the manifold.
- 4- Install the Manifold to the system by the appropriate tools.
- 5- First, install the Nut, Ring and Socket to the hose, then screw the nut to the manifold by the appropriate tools.
- 6- Make sure the hose to be connected to the manifold is the correct size(16x2/17x2).
- 7- Observe the axiality during assembly.
- 8- The installation system that manifold connected must be protected against the freezing.
- 9- Manifold is suitable for use in heating systems and should not be used in flammable or combustible gas/liquid installations.
- 10- Do not paint the manifold, do not expose the manifold with abrasive chemicals, do not open or close with any other tool and do not remove the handle.