



Model 206

Industrial Pressure Transducer

Features

- User accessible zero/span
- Exceptional EMI/RFI
- Absolute pressure option
- Long-term stability: <0.5%/year
- Reverse wire protection
- Calibration NIST traceable
- Wide operating voltage 12 VDC to 28 VDC
- CE & RoHS compliant

Applications

- Industrial OEM Equipment
- Hydraulic systems
- Compressor control
- HVAC/R equipment
- Industrial engines
- Tank level

The Model 206 pressure sensor is designed for industrial and OEM customers who require high performance, reliability and versatility at an affordable price. It offers exceptional $\pm 0.13\%$ FS accuracy for pressure ranges as low as 25 PSI up to 10,000 PSI to meet a multitude of demanding applications. The Model 206 features all stainless steel wetted materials and offers many pressure and electrical connections to satisfy challenging installation requirements. The Model 206 also features field accessible zero and span potentiometers allowing the unit to be calibrated in the field.

Rugged stainless steel design

The Model 206's rugged stainless steel design is built to withstand the rigors of the most difficult industrial applications. The unit is designed to meet NEMA 4 and IP65 environmental ratings, preventing unwanted moisture ingress.

High performance at the affordable price

The Model 206's capacitive sensor design offers test & measurement grade accuracy at a low price point. The sensor comes standard with $\pm 0.13\%$ FS accuracy in ranges from 25 PSI to 10,000 PSI, exceeding most competitive products.

Flexibility & serviceability

The transducer's pressure and electrical fitting cover many installation configurations, allowing it to fit into most applications. The Model 206 is equipped with zero and span potentiometers, allowing the user to maintain the high performance over the life of the sensor.



WARNING: This product can expose you to chemicals including Lead, which are known to the State of California to cause cancer and birth defects or other reproductive harm (For more information go to www.p65warnings.ca.gov)

NOTICE: Lead is encapsulated in the sensor glass housed inside the product.



Specifications

Performance data

Accuracy RSS ¹ (at constant temperature)	±0.13% FS
Non-linearity, (BFSL) 25 PSIG range ²	±0.1% FS ±0.2% FS
Hysteresis	±0.08% FS
Non-repeatability	±0.02% FS
Response time	5 milliseconds
Long term stability	0.5% FS/YR

Thermal effects

Compensated range	-4 to +176°F (-20 to +80°C)
Zero shift	±1% FS/100°F (±0.9% FS/50°C)
Span shift	±1.5% FS/100°F (±1.4% FS/50°C)

Electrical data (voltage)

Excitation/ output	12 to 28 VDC reverse excitation protected
Power consumption	<0.15 watts (approx. 5mA @24VDC)
Output ³	See ordering information ⁹
Output impedance	100 ohms
Circuit	3-wire (exc, out, com)
Vibration	200g operating

Approvals

CE, RoHS

¹RSS of non-linearity, non-repeatability hysteresis

²25 PSIG range accuracy is ±0.22% of full scale output

³Hydrogen not recommended for use with 17-4 PH stainless steel

⁴The high temperature limit of the cable is 200°F (95°C)

⁵Shift in output reading <0.05 psi/g typical: pressure port axis only

⁶Mil-Std. 202, method 213B, cond. C

Physical description

Pressure fittings	See ordering information
Vent	Through electrical termination
Electrical connection	See ordering information
Case	Stainless steel
Zero/Span adjustments	Top external access
Weight (approx.)	6 oz.

Environmental data

Operating temperature ⁴	-40 to 185°F (-40 to +85°C)
Storage temperature	-40 to +185°F (-40 to +85°C)
Acceleration	10g Maximum ⁵
Shock ⁶	200g operating
Vibration	20g 50-2000 Hz

Electrical data (current)

Circuit	2-wire
Output ¹⁰	4 to 20 mA ¹¹
External load	See ordering information
Min. supply voltage (VDC)= 9 + 0.02 x (resistance of receiver plus line)	
Max. supply voltage (VDC)= 30 + 0.004 x (resistance of receiver plus line)	

Pressure media

Gases or liquids compatible with 17-4 PH stainless steel.³

⁷Mil-Std. 202, method 204, cond. C

⁸Calibrated into a 50K ohm load, operable into a 5000 ohm load or greater

⁹Zero output factory set to w/in ±25mV. Span (FS) output factory set to w/in ±50mV

¹⁰Calibrated at factory with ±25VDC loop supply voltage and 250ohm load

¹¹Zero output factory set to w/in ±0.08mA. Span (FS) output factory set to win ±0.16mA

*Specifications subject to change without notice.

Overpressure capability

Bar ranges

Gauge pressure	Proof pressure	Burst pressure
0-1.6	6	32
0-4.0	10	50
0-6.0	18	60
0-10	30	80
0-16	32	130
0-25	50	170
0-40	80	240
0-60	120	300
0-100	200	400
0-160	250	500
0-250	380	550
0-400	600	800
0-700	800	1,350

PSIG ranges

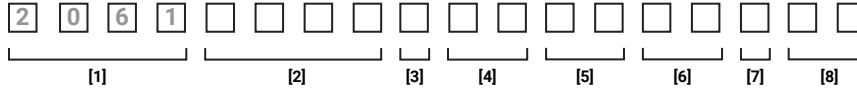
Gauge pressure	Proof pressure	Burst pressure
0-25	100	500
0-50	150	750
0-100	300	1,000
0-250	500	2,000
1-500	1,000	3,000
0-1,000	2,000	5,000
0-3,000	4,500	7,500
0-5,000	7,500	10,000
0-10,000	12,500	20,000

NOTE: Setra quality standards are based on ANSI-Z540-1. The calibration of this product is NIST traceable.

Ordering information

Example part number: 2061025PG2M11068CN

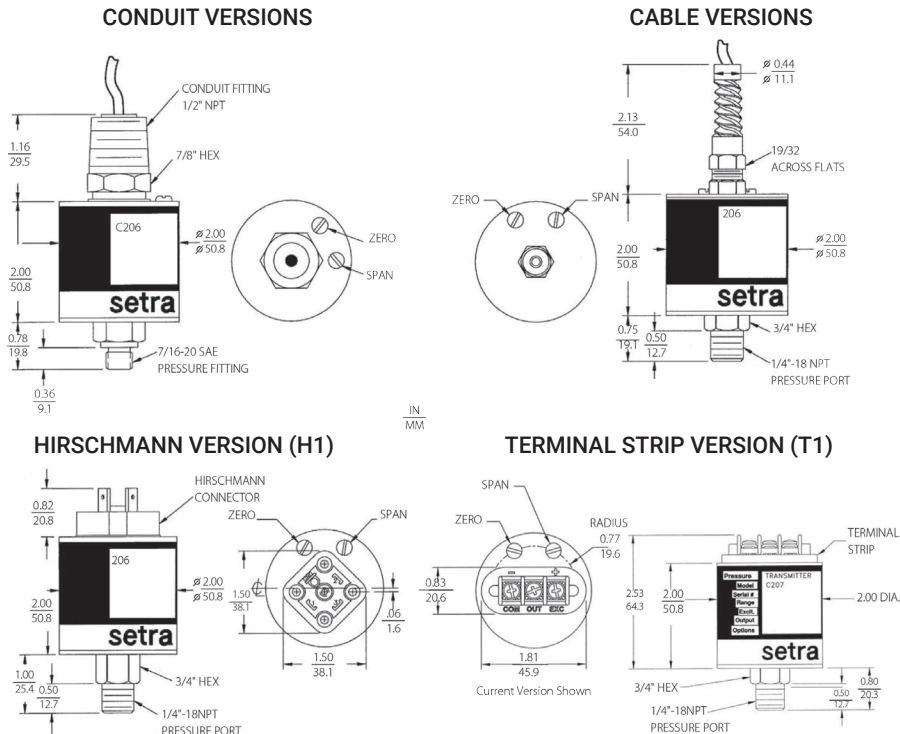
Model 206, 0 to 25 PSIG, Gauge pressure type, 1/4" NPT Ext. Fitting, 4 to 20mA output, 6' cable length, ±0.13% FS accuracy, 11 point cal. cert. option.



[1]	[2]	[3]	[4]	[5]	[6]	[7]	[8]
Model	Pressure range	Pressure type	Fitting	Output	Termination	Accuracy	Options ²
2061 Model 206	025P 0 to 25 PSI 050P 0 to 50 PSI 100P 0 to 100 PSI 200P 0 to 200 PSI 250P 0 to 250 PSI 500P 0 to 500 PSI 10CP 0 to 1,000 PSI 30CP 0 to 3,000 PSI 50CP 0 to 5,000 PSI 10KP 0 to 10,000 PSI 1R6B 0 to 1.6 Bar 004B 0 to 4 Bar 006B 0 to 6 Bar 010B 0 to 10 Bar 016B 0 to 16 Bar 025B 0 to 25 Bar 040B 0 to 40 Bar 060B 0 to 60 Bar 100B 0 to 100 Bar 160B 0 to 160 Bar 250B 0 to 250 Bar 400B 0 to 400 Bar 700B' 0 to 700 Bar	G Gauge C Compound A Absolute	2M 1/4" NPT Ext. 1M 1/8" NPT Ext. J7 7/16" SAE 2F 1/4" NPT Int.	11 4 to 20mA 22 0.1-5.1 VDC 27 1 to 5 VDC 28 1 to 6 VDC 2T 0.1 to 10.1 VDC	02 2 ft cable 06 6 ft cable 10 10 ft cable 25 25 ft cable XX Special cable length (0-25") H1 Hirschmann A3 1/2" conduit w/2' cable AD 1/2" conduit w/6' cable AE 1/2" conduit w/10' cable AF 1/2" conduit w/20' cable AG 1/2" conduit w/25' cable T1 Terminal strip ³	8 ±0.13% FS	NN None C 11 point cal cert G Mating with hirschmann con. L Etched SS tags Y Clean for oxygen F NEMA ⁴

¹ Units higher than 5k PSI are only available with a 1/4" NPT Ext. fitting
² Both boxes must be filled in alphabetical order:
 • If no options: N=N
 • If 1 option: option code + N
 • If 2 options: option code + option code
³ Formerly model 207
⁴ Limited configurations for NEMA enclosure. Speak with customer service rep.

Dimensions





Setra Systems, Inc.
159 Swanson Road
Boxborough, MA 01719
800.257.3872
www.setra.com

© Setra Systems, Inc. All rights reserved.

The Setra Systems name and logo
are trademarks of Setra Systems, Inc.