

Duct sensor CO₂ / Humidity / Temperature

Active sensor (0...10 V) for measuring CO₂, temperature and humidity. Dual channel CO₂ technology. Optional with LCD display. NEMA 4X / IP65 rated enclosure.



Type Overview

Type	Output signal active CO ₂	Output signal active temperature	Output signal active humidity	Display type
22DTM-11	0...5 V, 0...10 V	0...5 V, 0...10 V	0...5 V, 0...10 V	-
22DTM-1106	0...5 V, 0...10 V	0...5 V, 0...10 V	0...5 V, 0...10 V	LCD

Technical Data

Electrical data	Nominal voltage	AC/DC 24 V	
	Nominal voltage range	AC 19...29 V / DC 15...35 V	
	Power consumption AC	2.9 VA	
	Power consumption DC	1.5 W	
	Electrical connection	Pluggable spring loaded terminal block max. 2.5 mm ²	
	Cable entry	Cable gland with strain relief Ø6...8 mm	
Functional data	Sensor Technology	CO ₂ : NDIR (non dispersive infrared) dual channel Relative humidity: with stainless steel wire mesh filter	
	Voltage output	3x 0...5 V, 0...10 V, min. load 10 kΩ	
	Output signal active note	Output 0...5/10 V with Jumper adjustable	
	Display	LCD, Measured values: CO ₂ , temperature, r.H.	
	Application	Air	
Measuring data	Measuring values	CO ₂ Relative humidity Absolute humidity Dew point Enthalpies Temperature	
	Measuring range CO ₂	0...2000 ppm	
	Measuring range humidity	0...100% r.H.	
	Measuring range temperature	0...50°C [30...120°F]	
	Accuracy CO ₂	±(50 ppm + 3% of measuring value)	
	Accuracy humidity	Typical ±2% between 10...90% RH @ 21°C	
	Accuracy temperature active	±0.5°C @ 21°C [±0.9°F @ 70°F]	
	Long-term stability	±0.3% RH p.a. @ 21°C @ 50% RH ±0.05°C p.a. @ 21°C [±0.09°F p.a. @ 70°F]	
	Time constant τ (63%) in air duct	CO ₂ : typical 33 s @ 1 m/s Relative humidity: typical 10 s @ 3 m/s Temperature: typical 125 s @ 3 m/s	
	Materials	Cable gland	PA6, black

Housing	Cover: Lexan, orange Bottom: Lexan, orange Seal: 0467 NBR70, black UV resistant
Probe material	PA6, black
Safety data	
Ambient humidity	Max. 95% r.H., non-condensing
Fluid humidity	Max. 95% r.H., non-condensing
Ambient temperature	0...50°C [30...120°F]
Fluid temperature	0...50°C [30...120°F]
Operating condition air flow	min. 0.3 m/s max. 12 m/s
Protection class IEC/EN	III Safety Extra-Low Voltage (SELV)
Protection class UL	UL Class 2 Supply
EU Conformity	CE Marking
Certification IEC/EN	IEC/EN 60730-1
Certification UL	cULus acc. to UL60730-1A/-2-9/-2-13, CAN/CSA E60730-1:02/-2-9
Degree of protection IEC/EN	IP65
Degree of protection NEMA/UL	NEMA 4X
Quality Standard	ISO 9001

Safety notes


This device has been designed for use in stationary heating, ventilation and air-conditioning systems and must not be used outside the specified field of application. Unauthorised modifications are prohibited. The product must not be used in relation with any equipment that in case of a failure may threaten humans, animals or assets.

Ensure all power is disconnected before installing. Do not connect to live/operating equipment.

Only authorised specialists may carry out installation. All applicable legal or institutional installation regulations must be complied during installation.

The device contains electrical and electronic components and must not be disposed of as household refuse. All locally valid regulations and requirements must be observed.

Remarks
General remarks concerning sensors

Sensing devices with a transducer should always be operated in the middle of the measuring range to avoid deviations at the measuring end points. The ambient temperature of transducer electronics should be kept constant. The transducers must be operated at a constant supply voltage (± 0.2 V). When switching the supply voltage on/off, onsite power surges must be avoided.

Build-up of Self-Heating by Electrical Dissipative Power

Temperature sensors with electronic components always have a dissipative power which affects the temperature measurement of the ambient air. The dissipation in active temperature sensors shows a linear increase with rising operating voltage. The dissipative power should be taken into account when measuring temperature. In case of a fixed operating voltage (± 0.2 V) this is normally done by adding or reducing a constant offset value. As Belimo transducers work with a variable operating voltage, only one operating voltage can be taken into consideration, for reasons of production engineering. Transducers 0...10 V / 4...20 mA have a standard setting at an operating voltage of DC 24 V. That means, that at this voltage, the expected measuring error of the output signal will be the least. For other operating voltages, the offset error will be increased by a changing power loss of the sensor electronics.

If a readjustment directly at the active sensor should be necessary during later operation, this can be done with the following adjustment methods.

- For sensors with NFC or dongle by the corresponding Belimo app
- For sensors with a trimming potentiometer on the sensor board
- For bus sensors via bus interface with a corresponding software variable

Application notice for humidity sensors

Refrain from touching the sensitive humidity sensor element. Touching the sensitive surface will void guarantee.

When exposed to harsh environmental conditions such as high ambient temperature and/or high levels of humidity, or presence of aggressive gases (i.e. chlorine, ozone, ammonia), the sensor element may be affected and readings may be outside the specified accuracy. Replacement of deteriorated humidity sensors due to harsh environmental conditions is not covered by the general guarantee.

The sensor shows best performance when operated within recommended normal temperature range of 5...60°C and humidity range of 20...80% r.H. Long-term exposure to conditions outside normal range, especially at high humidity, may temporarily offset the humidity signal (e.g. +3% r.H. after 60h kept at >80% r.H.). After returning into the normal temperature and humidity range the sensor will slowly come back to calibration state by itself.

Information Self-Calibration Feature CO₂

All CO₂ sensors are subject to drift caused by the aging process of the components, resulting in regular re-calibration or replacement of units. However, the dual channel technology integrates automatic self-calibration technology vs. common used ABC-Logic sensors. Dual channel self-calibration technology is ideally suited for applications operating 24/7 hours such as those in hospitals or other commercial applications. Manual calibration is not required.

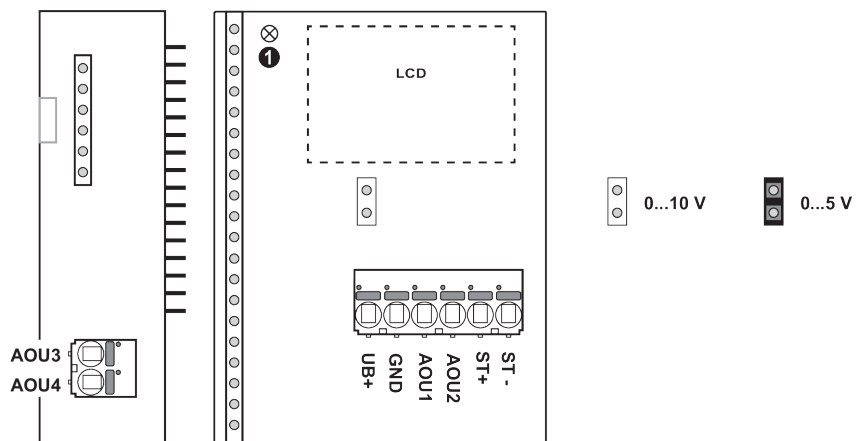
Scope of delivery

Scope of delivery	Description	Type
	Mounting flange for duct sensor 19.5 mm, up to max. 120°C [248°F], Plastic	A-22D-A35

Accessories

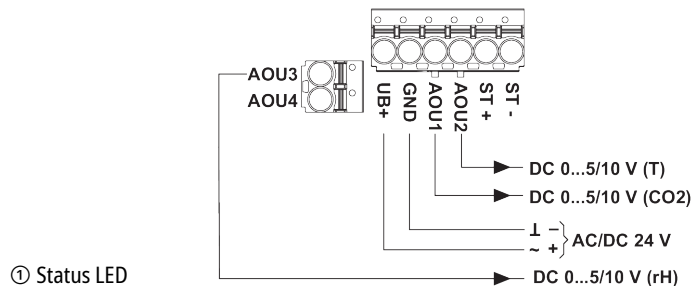
Optional accessories	Description	Type
	Replacement filter, wire mesh, Stainless steel	A-22D-A06
	Mounting plate L housing	A-22D-A10
	Connection adapter, M20x1.5, for cable 1x6 mm, Multipack 10 pcs.	A-22G-A01.1

Wiring diagram

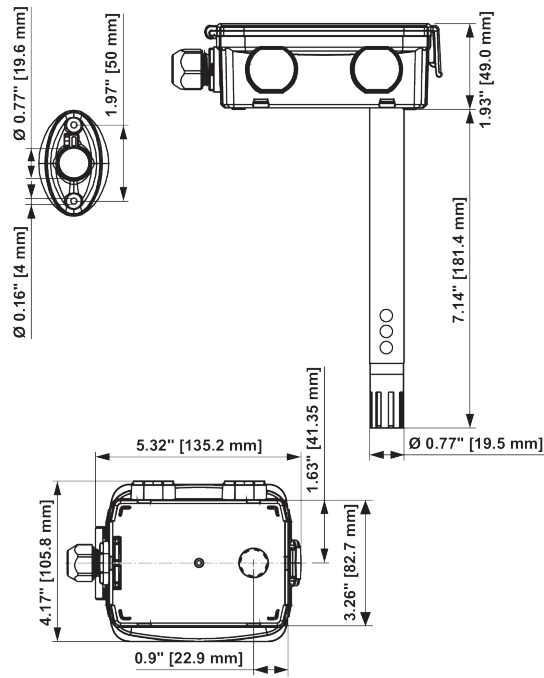


22DTM-11.. / 22DTM-51..

3 x DC 0...5/10 V



Dimensions



Type	Probe length	Weight
22DTM-11	180 mm	0.28 kg
22DTM-1106	180 mm	0.30 kg