

**Duct sensor CO<sub>2</sub> / Humidity / Temperature**

For measuring CO<sub>2</sub>, with integrated temperature and humidity sensor. Dual channel CO<sub>2</sub> technology. With BACnet MS/TP communication and integrated 0...10 V outputs. IP65 / NEMA 4X rated enclosure.


**Type Overview**

Type	Communication	Output signal active CO <sub>2</sub>	Output signal active temperature
<b>22DTM-16</b>	BACnet MS/TP	0...5 V, 0...10 V	0...5 V, 0...10 V

**Technical Data**

<b>Electrical data</b>	Nominal voltage	AC/DC 24 V
	Nominal voltage range	AC 19...29 V / DC 15...35 V
	Power consumption AC	6 VA
	Power consumption DC	0.3 W
	Electrical connection	Pluggable spring loaded terminal block max. 2.5 mm <sup>2</sup>
	Cable entry	Cable gland with strain relief 2 x Ø6 mm
<b>Functional data</b>	Sensor Technology	CO <sub>2</sub> : NDIR (non dispersive infrared) dual channel Relative humidity: with stainless steel wire mesh filter
	Communicative control	BACnet MS/TP
	Voltage output	2x, min. load 10 kΩ
	Output signal active note	Output 0...5/10 V with Jumper adjustable
	Application	Air
	<b>Measuring data</b>	Measuring values
Measuring range CO <sub>2</sub>		Adjustable via BACnet Default setting: 0...2000 ppm
Measuring range humidity		Adjustable via BACnet Default setting: 0...100% r.H.
Measuring range temperature		Adjustable via BACnet Default setting: 0...50°C [-30...120°F] Attention: max. measuring temperature is restricted by max. fluid temperature (see Safety data)
Measuring range absolute humidity		Adjustable via BACnet Default setting: 0...50 g/m <sup>3</sup>
Measuring range enthalpy		Adjustable via BACnet Default setting: 0...85 kJ/kg
Measuring range dew point		Adjustable via BACnet Default setting: 0...50°C [-30...120°F]
Accuracy CO <sub>2</sub>		±(50 ppm + 3% of measuring value)
Accuracy humidity		Typical ±2% between 10...90% RH @ 21°C

	Accuracy temperature active	±0.5°C @ 21°C [±0.9°F @ 70°F]
	Long-term stability	±0.3% RH p.a. @ 21°C @ 50% RH ±0.05°C p.a. @ 21°C [±0.09°F p.a. @ 70°F]
	Time constant $\tau$ (63%) in air duct	CO <sub>2</sub> : typical 33 s @ 1 m/s Relative humidity: typical 10 s @ 3 m/s Temperature: typical 125 s @ 3 m/s
<b>Materials</b>	Cable gland	PA6, black
	Housing	Cover: Lexan, orange Bottom: Lexan, orange Seal: 0467 NBR70, black UV resistant
	Probe material	PA6, black
<b>Safety data</b>	Ambient humidity	Max. 95% r.H., non-condensing
	Fluid humidity	Max. 95% r.H., non-condensing
	Ambient temperature	0...50°C [30...120°F]
	Fluid temperature	0...50°C [30...120°F]
	Operating condition air flow	min. 0.3 m/s max. 12 m/s
	Protection class IEC/EN	III Safety Extra-Low Voltage (SELV)
	Protection class UL	UL Class 2 Supply
	EU Conformity	CE Marking
	Certification IEC/EN	IEC/EN 60730-1
	Certification UL	cULus acc. to UL60730-1A/-2-9/-2-13, CAN/CSA E60730-1:02/-2-9
	Degree of protection IEC/EN	IP65
	Degree of protection NEMA/UL	NEMA 4X
Quality Standard	ISO 9001	

**Safety notes**


This device has been designed for use in stationary heating, ventilation and air-conditioning systems and must not be used outside the specified field of application. Unauthorised modifications are prohibited. The product must not be used in relation with any equipment that in case of a failure may threaten humans, animals or assets.

Ensure all power is disconnected before installing. Do not connect to live/operating equipment.

Only authorised specialists may carry out installation. All applicable legal or institutional installation regulations must be complied during installation.

The device contains electrical and electronic components and must not be disposed of as household refuse. All locally valid regulations and requirements must be observed.

**Remarks**

**General remarks concerning sensors** Sensing devices with a transducer should always be operated in the middle of the measuring range to avoid deviations at the measuring end points. The ambient temperature of transducer electronics should be kept constant. The transducers must be operated at a constant supply voltage (±0.2 V). When switching the supply voltage on/off, onsite power surges must be avoided.

**Build-up of Self-Heating by Electrical Dissipative Power**

Temperature sensors with electronic components always have a dissipative power which affects the temperature measurement of the ambient air. The dissipation in active temperature sensors shows a linear increase with rising operating voltage. The dissipative power should be taken into account when measuring temperature. In case of a fixed operating voltage ( $\pm 0.2$  V) this is normally done by adding or reducing a constant offset value. As Belimo transducers work with a variable operating voltage, only one operating voltage can be taken into consideration, for reasons of production engineering. Transducers 0...10 V / 4...20 mA have a standard setting at an operating voltage of DC 24 V. That means, that at this voltage, the expected measuring error of the output signal will be the least. For other operating voltages, the offset error will be increased by a changing power loss of the sensor electronics.

If a readjustment directly at the active sensor should be necessary during later operation, this can be done with the following adjustment methods.

- For sensors with NFC or dongle by the corresponding Belimo app
- For sensors with a trimming potentiometer on the sensor board
- For bus sensors via bus interface with a corresponding software variable

**Application notice for humidity sensors**

Refrain from touching the sensitive humidity sensor element. Touching the sensitive surface will void guarantee.

When exposed to harsh environmental conditions such as high ambient temperature and/or high levels of humidity, or presence of aggressive gases (i.e. chlorine, ozone, ammonia), the sensor element may be affected and readings may be outside the specified accuracy. Replacement of deteriorated humidity sensors due to harsh environmental conditions is not covered by the general guarantee.

The sensor shows best performance when operated within recommended normal temperature range of 5...60°C and humidity range of 20...80% r.H. Long-term exposure to conditions outside normal range, especially at high humidity, may temporarily offset the humidity signal (e.g. +3% r.H. after 60h kept at >80% r.H.). After returning into the normal temperature and humidity range the sensor will slowly come back to calibration state by itself.

**Information Self-Calibration Feature CO<sub>2</sub>**

All CO<sub>2</sub> sensors are subject to drift caused by the aging process of the components, resulting in regular re-calibration or replacement of units. However, the dual channel technology integrates automatic self-calibration technology vs. common used ABC-Logic sensors. Dual channel self-calibration technology is ideally suited for applications operating 24/7 hours such as those in hospitals or other commercial applications. Manual calibration is not required.

**Scope of delivery**

Scope of delivery	Description	Type
	Mounting flange for duct sensor 19.5 mm, up to max. 120°C [248°F], Plastic	A-22D-A35
	Cable Gland with strain relief Ø6...8 mm	

**Accessories**

Optional accessories	Description	Type
	Replacement filter, wire mesh, Stainless steel	A-22D-A06
	Mounting plate L housing	A-22D-A10
	Connection adapter, M20x1.5, for cable 1x6 mm, Multipack 10 pcs.	A-22G-A01.1
	Connection adapter, M20, for cable 2 x 6 mm, Multipack 10 pcs.	A-22G-A02.1

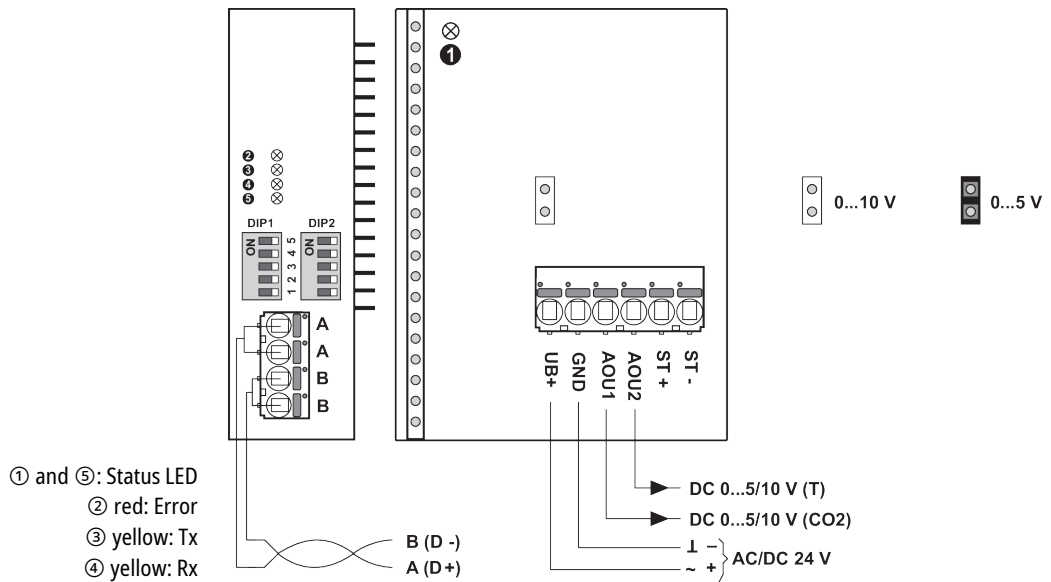
**Wiring diagram**

**Notes** Supply from isolating transformer.



The wiring of the line for BACnet (MS/TP) has to be carried out in accordance with applicable RS485 regulations.

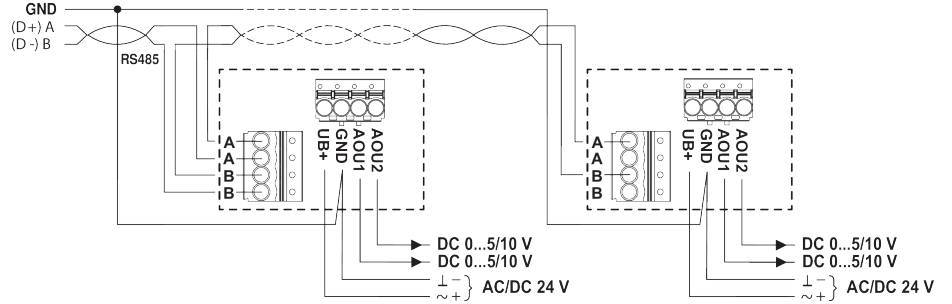
BACnet GND: Supply and communication are not galvanically isolated. Connect earth signal of the devices with one another.



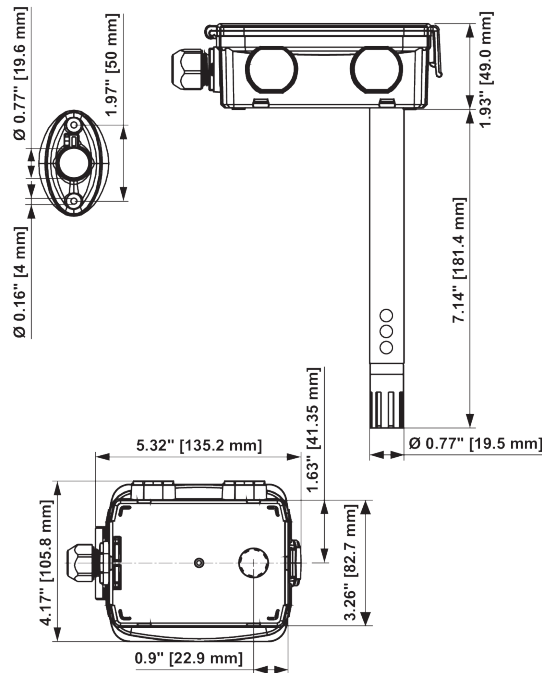
**Detailed documentation**

The separate document, BACnet PICS, informs about the PICS, MAC addressing and bus termination (DIP1 & DIP2).

**Wiring RS485 BACnet MS/TP**



**Dimensions**



Type	Probe length	Weight
22DTM-16	180 mm	0.28 kg