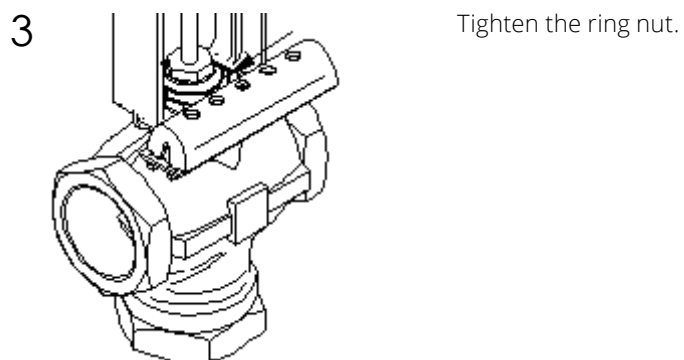
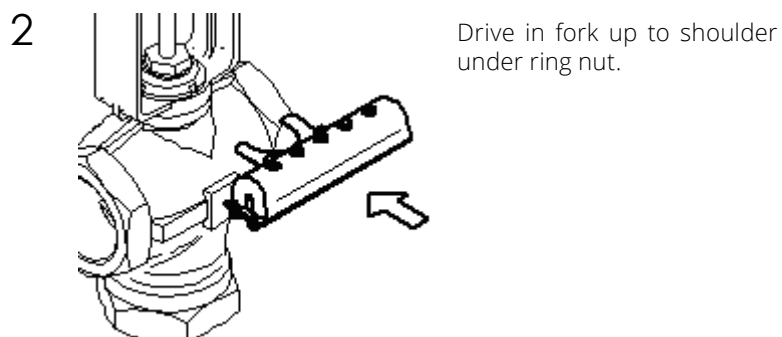
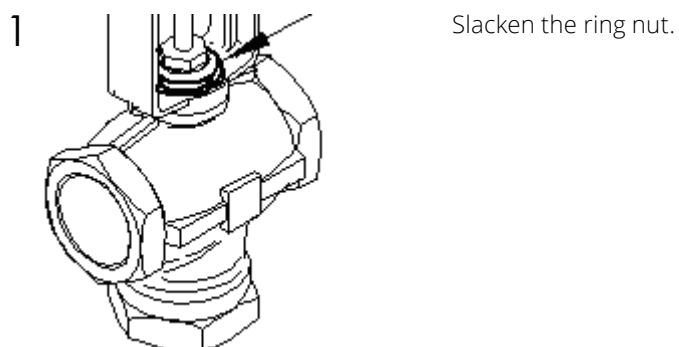


MOUNTING INSTRUCTIONS

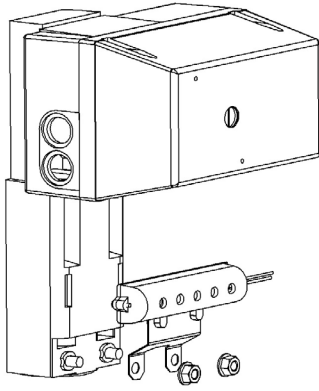
Mod.	φ Linkage	Power Supply (Vac/dc)	Power (W)	Actuator Part-number
244	30	24	18	MVB
248	--		50	MVH-MVE

244 HEATER MOUNTING INSTRUCTION WITH MVB ACTUATOR

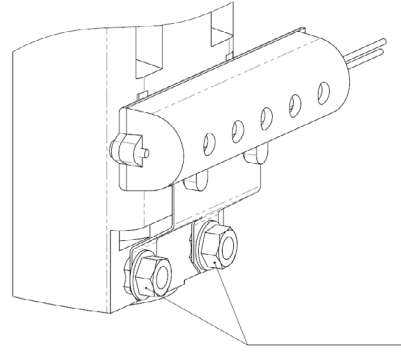


The performances stated in this sheet can be modified without any prior notice.

1



2



Install 248 heater below the fixing nuts of the actuator to the valve.