

MODEL	DN [inches]	Kvs [m <sup>3</sup> /h]	STROKE [mm]
2FIA25R4	1"	3,5	20
2FIA25	1"	10	
2FIA32	1"1/4	16	
2FIA40	1"1/2	24	
2FIA50	2"	42	
2FIA65	2"1/2	63	
2FIA80	3"	91	
2FIA100	4"	138	



## TECHNICAL DATA

<b>Type</b>	2-way globe valve
<b>PN16 models</b>	DN65, 100
<b>PN40 models</b>	DN25, 32, 40, 50, 80
<b>Connections</b>	Flanges UNI/DIN PN16 / PN40
<b>Sealing type</b>	Soft (Class VI)
<b>Flow characteristic</b>	Linear
<b>Plug type</b>	V-port
<b>Temperature</b>	from -30°C to +180 °C

## DESCRIPTION

2FIA range consists in 2-way valve bodies to be assembled with electrical bidirectional actuator. 2FIA valves are 2-way valves for industrial use; they offer high performances with many types of fluid within a wide range of temperatures. Valves are delivered after testing and calibration and ready for a long utilize, without maintenance. 2FIA.. valves are used to control fluids in accordance to article 13 of 2014/68/UE (PED) directive, in heating and cooling installations and in industrial processes; they cannot be used as safety valves.

## OPTIONS

- 2-way
- High temperature extension (finned bonnet)
- Low temperature extension (-60°C)
- Bellows seal (double wall PN16, triple wall PN40)
- ANSI 300
- ANSI 150 (only drilling)
- Sealing type: metallic (Class IV - V)

**Controlli S.p.A.**  
16010 Sant'Olcese (GE)  
Tel. 010 73 06 1  
Fax. 010 73 06 870/871  
[www.controlli.eu](http://www.controlli.eu)

## ACTUATORS ASSEMBLING

CODE	DESCRIPTION
<b>MVE</b>	2FIA valves are supplied already mounted with the selected MVE. When ordering these valves and actuators please include in your order also the codes " <b>MVEAV-10</b> " related to the valve/actuator assembling in our factory. <i>Order example: MVE510 + 2FIA40 + MVEAV-10</i>
<b>MVH</b>	2FIA valves are supplied already mounted with the selected MVH with AG81. When ordering these valves and actuators please include in your order also the codes " <b>MVHAV</b> " related to the valve/actuator assembling in our factory. <i>Order example: MVH46 + AG81 + 2FIA40 + MVHAV</i>

## FLOW RATE COEFFICIENT

DN	CV	Kvs
<b>25R4</b>	4	3,5
<b>25</b>	12	10
<b>32</b>	18	16
<b>40</b>	28	24
<b>50</b>	48	42
<b>65</b>	72	63
<b>80</b>	105	91
<b>100</b>	160	138

## MATERIALS

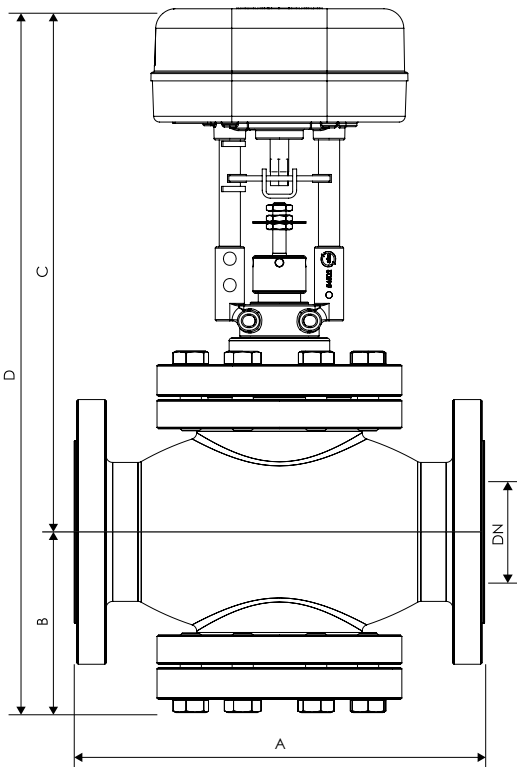
Valve body	Stainless steel AISI 316 ASTM CF8M
Trim (plug - seat)	316L
Stem	316L
Stem packing	PTFE
Plug and Seat sealing	PTFE
Valve/actuator connection	U-bolt connection

MAX DIFFERENTIAL PRESSURE [kPa]								
CODE	DN	MVHEA/C 700N	MVH 1500N	MVHE3K 3000N	MVE.06 600N	MVE.10 1000N	MVE.15 1500N	MVE.22 2200N
<b>2FIA25R4</b>	25	3100	-	-	2700	-	-	-
<b>2FIA25</b>	25	1150	-	-	1000	-	-	-
<b>2FIA32</b>	32	670	-	-	570	-	-	-
<b>2FIA40</b>	40	470	1000	-	400	670	1000	-
<b>2FIA50</b>	50	270	580	1170	230	390	580	850
<b>2FIA65</b>	65	-	360	720	-	240	360	530
<b>2FIA80</b>	80	-	-	580	-	-	-	430
<b>2FIA100</b>	100	-	-	320	-	-	-	240

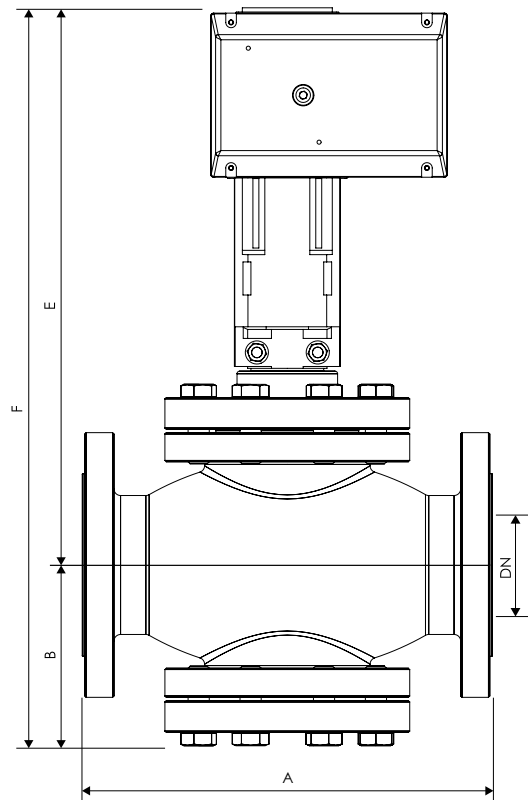
## DIMENSION [mm]

CODE	DN	A	B	C	D	E	F	VALVE STROKE [mm]	NUMBER OF HOLES ON EACH FLANGE	INDICATIVE WEIGHT [kg]
<b>2FIA25R4</b>	25	160	96	354	450	374	470	20	4	22
<b>2FIA25</b>	25	160	96	354	450	374	470	20	4	22
<b>2FIA32</b>	32	180	96	354	450	374	470	20	4	28
<b>2FIA40</b>	40	200	96	354	450	374	470	20	4	30
<b>2FIA50</b>	50	230	100	360	460	380	480	20	4	38
<b>2FIA65</b>	65	290	137	395	532	415	552	20	4	54
<b>2FIA80</b>	80	310	137	395	532	415	552	20	8	66
<b>2FIA100</b>	100	350	159	417	576	437	596	20	8	90

WITH MVE



WITH MVH + AG81



The performances stated in this sheet can be modified without any prior notice