

LCF Touch RS485 Modbus

Electronic FanCoil Thermostat with Touch Display (flush mounting)
(ab Firmware 2.4)

thermokon[®]
HOME OF SENSOR TECHNOLOGY

Datasheet

Subject to technical alteration
Issue date: 19.04.2023 • A122



» APPLICATION

Modern design flush mounting fan coil room thermostat, used for individual control of temperature in commercial, industrial and residential buildings. It is tailored for two-pipe and four-pipe fan coil units with two-wire electric valves. The device combines digital technology with a large LCD touch screen display, which enables the 2-point-single room controller to be used intuitively. Integrated 7 day time clock with 4 time programs.

» SECURITY ADVICE – CAUTION

The installation and assembly of electrical equipment should only be performed by authorized personnel.



The product should only be used for the intended application. Unauthorised modifications are prohibited! The product must not be used in relation with any equipment that in case of a failure may threaten, directly or indirectly, human health or life or result in danger to human beings, animals or assets. Ensure all power is disconnected before installing. Do not connect to live/operating equipment.

CAUTION! Risk of electric shock due to live components within the enclosure, especially devices with mains voltage supply (usually between 90..265 V).



Please comply with
Local laws, health & safety regulations, technical standards and regulations
Condition of the device at the time of installation, to ensure safe installation
This data sheet and installation manual

» NOTES ON DISPOSAL



As a component of a large-scale fixed installation, Thermokon products are intended to be used permanently as part of a building or a structure at a pre-defined and dedicated location, hence the Waste Electrical and Electronic Act (WEEE) is not applicable. However, most of the products may contain valuable materials that should be recycled and not disposed of as domestic waste. Please note the relevant regulations for local disposal.

» GENERAL REMARKS CONCERNING SENSORS

Especially with regard to passive sensors in 2-wire conductor versions, the wire resistance of the supply wire has to be considered. If necessary the wire resistance has to be compensated by the follow-up electronics. Due to self-heating, the wire current affects the measurement accuracy, so it should not exceed 1 mA.

When using lengthy connection wires (depending on the cross section used) the measuring result might be falsified due to a voltage drop at the common GND-wire (caused by the voltage current and the line resistance). In this case, 2 GND-wires must be wired to the sensor - one for supply voltage and one for the measuring current.

Sensing devices with a transducer should always be operated in the middle of the measuring range to avoid deviations at the measuring end points. The ambient temperature of the transducer electronics should be kept constant. The transducers must be operated at a constant supply voltage ($\pm 0,2$ V). When switching the supply voltage on/off, onsite power surges must be avoided.

» MOUNTING ADVISE ROOM SENSORS

The Accuracy of the room sensors are influenced by the technical specifications as well as the positioning and the installation type.

During Assembly:

- Seal mounting box (if present).
- Installation type, air draught, heat source, radiation heat or direct sunlight can affect the measurement.
- Bulding material specific properties of the installation place (*brick-, concrete-, partition wall, cavity wall, ...*) can affect the measurement. (*e.g.: Concrete accepts room temperature variation slower than cavity walls*)

Assembly not recommendet in...

- Air draught (e.g.: close to windows / doors / fans ...)
- Near heating sources,
- Direct sunlight
- Niches / between furniture / ...

» TECHNICAL DATA

Measuring values	temperature	
Output switch contact	Terminal 1 2 3 3 normally open contacts FanCoil 240 V max. load 3 A fan stages switchover pause 0,5 s	Terminal 4 5 (2-point-controller) 2 normally open contacts heating/cooling 240 V max. load 3 A
Network technology	RS485 Modbus, RTU, half-duplex, baud rate 4.800, 9.600, 19.200 or 38.400, parity: non (2 stopbits), even or odd (1 stopbit), RS485 bus load: ¼ unit load according to RS485 standard (max. 128 devices)	
Power supply	90..265 V ~	
Power consumption	0,9 VA (265 V ~)	
Measuring range temp	+34..+99 °F	
Accuracy temperature	±0,5 K (typ. at 70 °F)	
Sensor	NTC10k	
Inputs	Terminal 7 8 input for change-over sensor (NTC 10 K)	
Control functions	setpoint adjustment +34..+99 °F, (Default +60..+86 °F)	
Display	LCD-module with Touch and LED-illumination	
Enclosure	ABS, scratch-resistant acrylic glass	
Protection	IP20 according to EN 60529	
Connection electrical	terminal block max. 16AWG	
Ambient condition	+14..+122 °F, max. 85% rH non-condensing	
Weight	5.64 oz.	
Mounting	flush mounted with standard EU box (Ø=2.36 in.)	

» **PRODUCT TESTING AND CERTIFICATION**

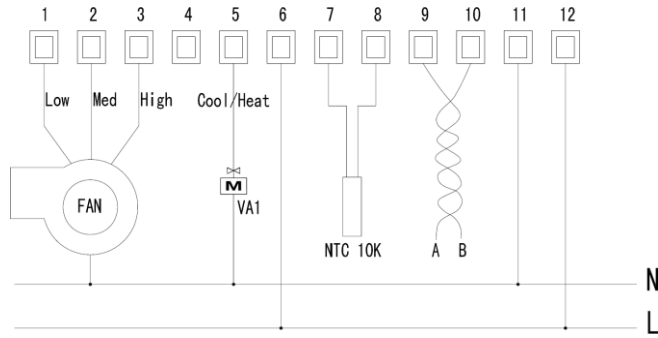


Declaration of conformity

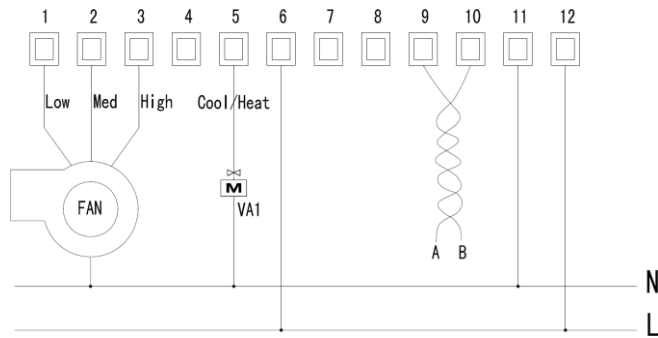
The declaration of conformity of the products can be found on our website <https://www.thermokon.de/>

» **CONNECTION PLAN**

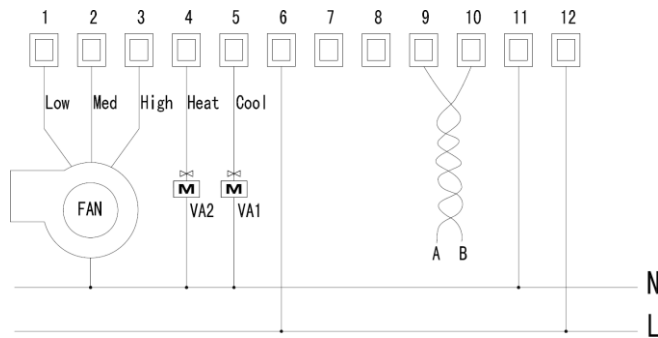
LCF Touch Modbus – Auto mode wiring diagram for 2-pipe fan coil



LCF Touch Modbus – Manual mode wiring diagram for 2-pipe fan coil



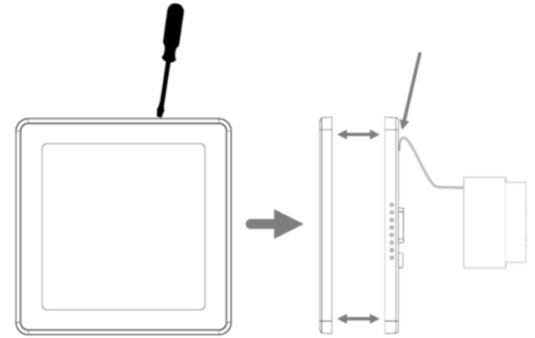
LCF Touch Modbus – wiring diagram for 4-pipe fan coil



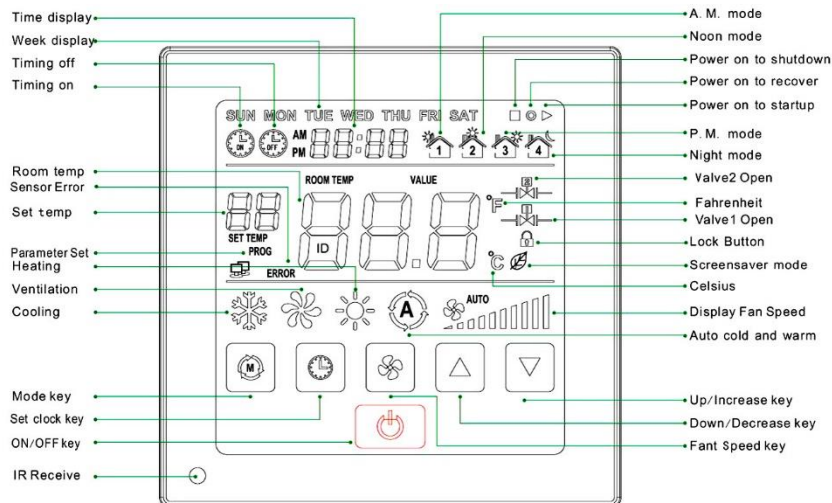
» MOUNTING ADVICES

For installing or repairing, please make sure the power for the thermostat has been turned off.

1. Insert the screw driver in the plastic teeth of the thermostat to open the enclosure.
2. Please follow the wiring diagram to connect the wires.
3. Fix the thermostat base plate to the wall by using the four screw holes with a distance between the axes of 2.36 in.
4. Fasten base plate and front cover. Do not press the panel in order to protect LCD.



» COMMISSIONING



Setting parameter No. 13, the selection of the fan coil system has to be done. 2-pipe or 4-pipe systems can be selected.

Hysteresis: 1 K + 1 minute delay

Operation in 2-pipe system (parameter No. 13 set to 2):

When using a change-over sensor, the thermostat can detect whether the fluid is convenient for cooling or for heating:

- Operation without a change-over sensor:
In the 2-pipe system, a fluid can be used only for cooling or only for heating depending on the temperature of the fluid. When no change-over sensor is used, heating, cooling and ventilating mode have to be selected manually using MODE settings (depending on the desired action of the heating/cooling system).
- Operation with a change-over sensor (Auto change-over mode):
By using an change-over sensor, the system recognizes, whether the fluid has the necessary temperature for cooling or for heating. The heating or cooling control sequence will be automatically selected. When temperature is $\leq +19\text{ }^{\circ}\text{C}$, cooling mode is activated; when the temperature is $\geq +30\text{ }^{\circ}\text{C}$, the heating mode is active. Configurable via Holding Register 40010|40011. MODE key has no function in this case.

Operation in 4-pipe system (parameter No. 13 set to 4):

The thermostat switches automatically between cooling and heating. A time delay of approx.. 1 min between cooling/heating mode changes is implemented to ensure safe and eco-friendly operation. Parameter No.14 has to be set to 1 to enable the device for operating in auto mode.

Mode selection:

Manual Mode: 2-pipe-System: Cooling → Ventilating → Heating
4-pipe-System: Cooling → Ventilating → Heating → Auto change-over mode (only when parameter No. 14 is set to 1!)

AUTO-Mode: The mode will be selected automatically.

Fan Stage selection:

In Cooling, Heating or Auto mode, following fan stages can be selected:

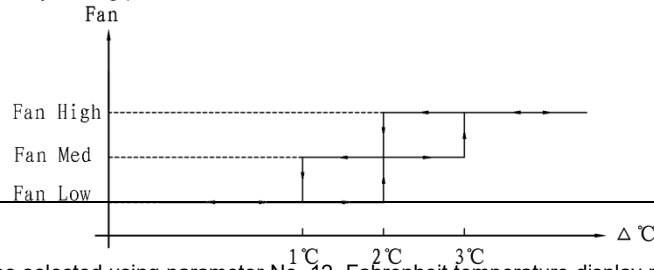
Low → Med → Hi → Auto

In Ventilation mode, following fan stages can be selected:

Low → Med → Hi

Ventilation mode can be deactivated by setting parameter No. 15 to "0".

Auto mode:



Display °C or °F

Display of the units °C or °F can be selected using parameter No. 12. Fahrenheit temperature display range is 32..99 °F, °C temperature display range is 0..50 °C. Factory default is °C.

Note: Under Parameter No.1 the temperature offset can be adjusted. This feature should be used if the temperature at the mounting place of the Room Thermostat is not accurate to the average room temperature.

Temperature Room Temperature set point selection:

By pressing "▲" or "▼" button, the room temperature set point can be adjusted. °C Range is 16..30 °C, Fahrenheit temperature range is 60..86 °F.

By using Parameter No. 4 and No. 5, the set point ranges can be adjusted.

Fan stage/Valve control selection:

Under Fan operation "INDEPENDENT", the fan will always operate according to the selected or automatically assigned fan stage; under Fan operation "DEPENDENT", the fan will be tuned off in case the valve is closed. If the valve is open, the fan will operate according to the selected or automatically assigned fan stage.

By using parameter No. 16, the "INDEPENDENT" or "DEPENDENT" mode can be selected.

Key lock selection (No. 2), power failure selection (No. 3), screen save mode (No. 6) can be set by Parameters.

Also in parameter No. 7 you are able to read the LCD display status.

Sensor failure alarm:

If the temperature sensor is out of range, the thermostat will switch off the fan and close the valve, error code "E01" will be shown.

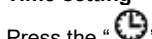
Language selection

You can change the display language with parameter No. 11.

Set time format

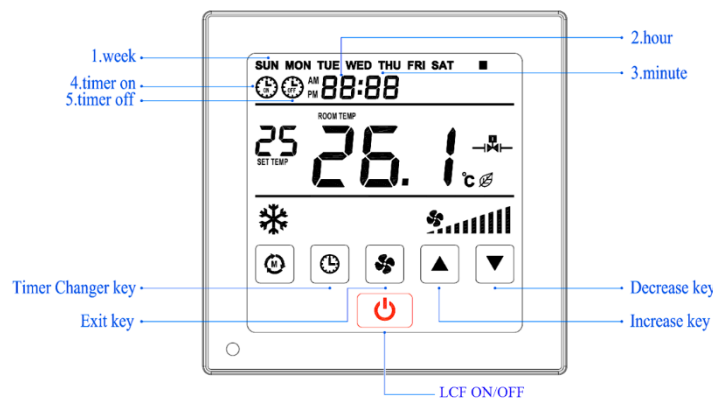
With parameter No. 8 the time format to 12h or 24h can be defined.

Time setting



Press the "Clock" button, to set the time. The changing parameter is blinking, press "▲" or "▼"-button to set:


Order: Year→month→day date→day name→hour→minute→Timer ON hour minute→Timer OFF hour minute →year→...





In case of power loss, the time is backed up for max 2 years.


Set timer

Press the “🕒”-button, the parameter to be changed is flashing, the timer will be set on or off.

Finish: Timer on, LCD display  ;

Finish: Timer off, LCD display  ;

Leave menu: 

To delete timer on/off, press the “🕒” button, the parameter to be changed is flashing. Then select “🕒 ON” or “🕒 OFF”, set the time like the following image to leave the timer mode: “PM  ”. The system saves the user settings to set the timer on / off automatically.

Selection timer on / off

The timer on/off has 2 options to be selected: single action or rule.

To set, please look up parameter No. 9 in the parameter table.

7 days 4 periods programmable timer

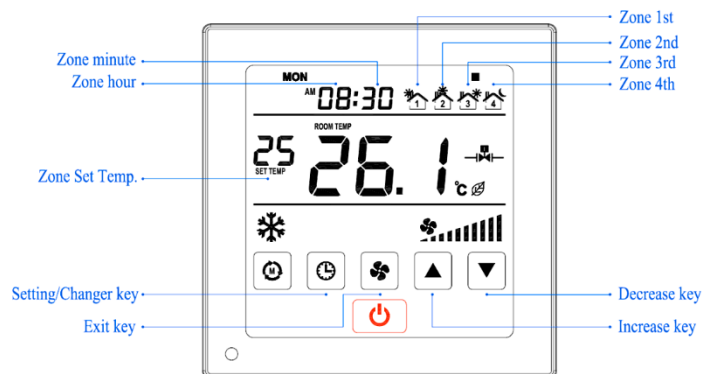
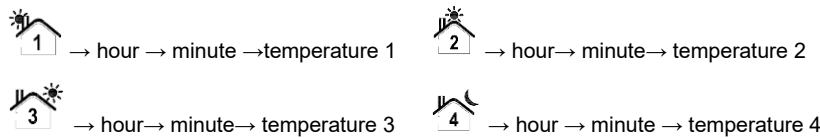
One day is split into 4 periods. The user can set temperature for every period individually.

To set the time zones, please look up parameter No. 10 in the parameter table.

If the user has set a set temperature during operation, the current period runs with the last set temperature. The next period will adopt the changed settings.

Please follow the instructions below:

Press the “🕒” button for more than 5 seconds, the parameter to be changed is flashing. Press the “🕒” button again, the value needs to be changed, appears. (hour, minute, period). Changes in value by pressing ▲” or “▼”. The following 4 programmable periods can be set.



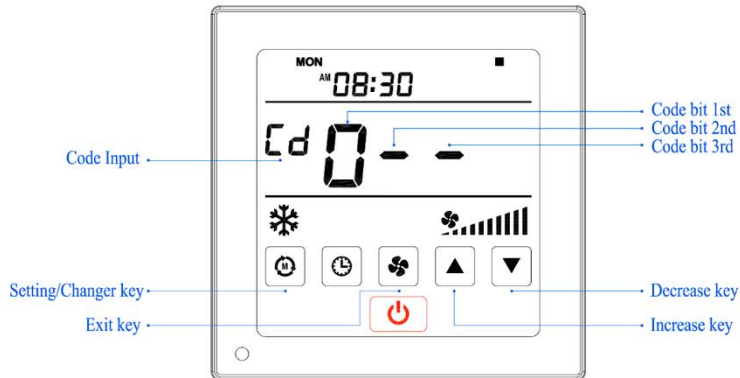
» **CONFIGURATION**

Parameters



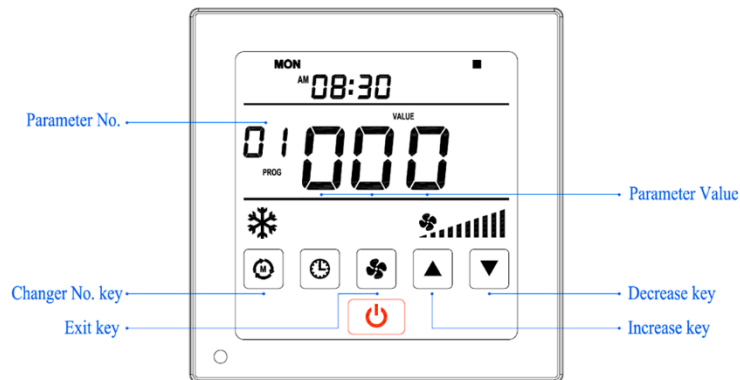
= MODE button

In order to change the parameters, please press the MODE button for more than 5 seconds. Please follow figure below. If you are asked to enter the password, use “▲” or “▼” key to enter each digit of the password. Press MODE button to switch to the next digit.



The standard password is 260

If the password has been entered correctly, you will see the parameter settings screen as below shown:



Press the MODE button to select the parameter you would like to change. Then use “▲” or “▼” to change the parameter. Please refer to the parameter table on the following page:



After parameter selection / setting, don't press any button for 3 seconds to save the settings.

» **COMMUNICATION MODBUS**

For configuration of the Modbus communication, please look up parameter No. 18 in the parameter table.

Communication-section	1..247
Factory default:	1
Communication-Interface:	RS485
Communication-Protocol:	Modbus-RTU
Baud Rate:	4800 bps / 9600 bps / 19200 bps / 38400 bps (optional)
Factory default:	9600 bps
Parity:	no parity / odd parity / straight parity (optional)
Factory default:	no parity
Data:	8 bit
Stop:	2 bit

Press the MODE button to select the parameter you would like to change. Then use “▲” or “▼” to change the parameter. Please refer to the parameter table on the following page: All parameters are stored within an EEPROM (electrically erasable programmable ROM), ensuring no data loss if the Thermostat is powered off.

No.	Name of parameter	Parameter definition	Factory default
1	Temperature offset:	Range -20..+20 K	0
2	Key-lock:	00 = no lock 01 = on/off locked 02 = lock "mode" 03 = lock "on/off" and "mode" 04 = lock " clock " 05 = lock on/off and clock 06 = lock mode & clock 07 = lock on/off & mode & clock 08 = lock fan 09 = lock fan & on/off 10 = lock fan & mode 11 = lock fan & on/off & mode 12 = lock fan & clock 13 = lock fan & clock & on/off 14 = lock fan & clock & mode 15 = lock fan & clock & on/off & mode 16 = lock Temp 17 = lock Temp & on/off 18 = lock temp & Mode 19 = lock temp & on/off & mode 20 = lock Temp & clock 21 = lock temp & clock & on/off 22 = lock temp & clock & mode 23 = lock temp & clock & mode & on/off 24 = lock Temp & fan 25 = lock Temp & fan & on/off 26 = lock temp & fan & Mode 27 = lock temp & fan & on/off & mode 28 = lock Temp & fan & clock 29 = lock temp & fan & clock & on/off 30 = lock temp & fan & clock & mode 31 = lock temp & fan & clock & mode & on/off = lock all keys	0
3	Power failure:	0- stay power off 1- restore last status before power failure 2- turn power on after power failure	1
4	Upper temperature limit:	Range: +1..+50 °C / +34..99 °F	30 °C / 86 °F
5	Lower temperature limit:	Range: +1..+50 °C / +34..99 °F	16 °C / 60 °F
6	LCD backlight delay:	10..150 seconds	20 seconds
7	Screensaver mode:	0- display off 1- room temperature 2- display clock, room temperature 3- display on	1
8	Time format:	12- 12 hours 24- 24 hours	12
9	Timer on / off:	0- one-time (1 day) 1- recurring timer	0
10	7 days, 4 periods programmable:	0- deactivated 1- activated	0
11	Display language:	1- English	1
12	Temperature format:	0- °C 1- °F	0
13	Selection Fan Coil:	2- 2-pipe Fan Coil, heating/cooling 4- 4-pipe Fan Coil, heating/cooling 6- 2-pipe Fan Coil cooling+electric-heater	2
14	Auto cooling & heating modus:	0- deactivated 1- activated	0
15	Fan modus:	0- deactivated 1- activated	1
16	Fan on/off selective	0-valve stop does chain fan, 1-Valve stop chain fan	0
17	Temporarily not defined		0
18	Communication:	ID.1.. ID.247	1
19	Baud rate:	1- 4800 bps; 2- 9600 bps; 3- 19200 bps; 4- 38400 bps	2
20	Parity	0-no parity 1-odd parity 2-even parity	0
21	Summer/winter time	0-fordibben 1-allow	1
22	Individual password setting	001-999	260
23	Stopbit	1=1bit, 2=2bit	2
24	Infrared receiver (remote)	0 – deactivated, 1 - activated	0
25	Backlight in case of inactivity	0-25% (0=OFF)	15

» MODBUS FUNCTIONS AND REGISTERS

The device supports the following functions and registers

Holding Register:

Register address	Description	R / W	Unit	Options	Function code	
0	0x0000	mode	Read / Write	NC	1=cool,4=fan,8=heat,16=auto	0x000F
1	0x0001	fan speed	Read / Write	NC	2=low,4=medium,8=high,128=auto	0x03,00x06,0x10
2	0x0002	set point temperature	Read / Write	0.1°C	1-500(0x01F4),for example:265 and 26.5°C	0x03,00x06,0x10
3	0x0003	on/off	Read / Write	NC	0=stop, 1=run	0x03,00x06,0x10
4	0x0004	temperature lower limit	Read / Write	1°C	1-50(0x0032) default=16°C	0x03,00x06,0x10
5	0x0005	temperature upper limit	Read / Write	1°C	1-50(0x0032) default=30°C	0x03,00x06,0x10
6	0x0006	Power failure	Read / Write	NC	0-keep off power on, 1-Memo while the power failure, 2-switch on while power on Default=0	0x03,00x06,0x10
7	0x0007	Key-lock	Read / Write	NC	see parameter table: binary notation Temp=16=0x10 Fan=8=0x08 Clock=4=0x04 Mode=2=0x02 ON/OFF=1=0x01	0x03,00x06,0x10
8	0x0008	Backlight delay	Read/Write	s	10-150s, default=15s	0x03,00x06,0x10
9	0x0009	change over temperature cooling (2-pipe + external temp. sensor)	Read / Write	1°C	12-24, default=19°C	0x03,00x06,0x10
10	0x000A	change over temperature heating (2-pipe + external temp. sensor)	Read / Write	1°C	25-45, default=30°C	0x03,00x06,0x10
11	0x000B	Fan coil type	Read / Write	NC	2=cooling&heating 2-pipe 4=cooling&heating 4-pipe ,6=cooling+elec-heater,default=2	0x03,00x06,0x10
12	0x000C	7day 4periods programmable	Read / Write	NC	0=forbidden,1=allowed ,default=0	0x03,00x06,0x10
13	0x000D	time of the first temperature zone	Read / Write	NC	hour:min,BCD code data format e.g:08:30=0x0830	0x03,00x06,0x10
14	0x000E	temperature setting of the first temperature zone	Read / Write	1°C	16-30, default=25°C	0x03,00x06,0x10
15	0x000F	time of the second temperature zone	Read / Write	NC	hour:min, BCD code data format e.g:14:00=0x1400	0x03,00x06,0x10
16	0x0010	temperature setting of the second temperature zone	Read / Write	1°C	16-30, default=26°C	0x03,00x06,0x10
17	0x0011	time of the third temperature zone	Read / Write	NC	hour:min,e,g:20:00=0x2000	0x03,00x06,0x10
18	0x0012	temperature setting of the third temperature zone	Read / Write	1°C	16-30, default=27°C	0x03,00x06,0x10
19	0x0013	time of the fourth temperature zone	Read / Write	NC	hour:min, BCD code data format e,g:02:00=0x0200	0x03,00x06,0x10
20	0x0014	temperature setting of the fourth temperature zone	Read / Write	1°C	16-30, default=28°C	0x03,00x06,0x10
21	0x0015	Individual passwords setting	Read / Write	NC	001-999, defaul=260	0x03,00x06,0x10
22	0x0016	Summer/winter time	Read / Write	NC	0=forbidden,1=allowed ,default=1	0x03,00x06,0x10
23	0x0017	system time-- year	Read / Write	NC	2000-2099, default=2015	0x03,00x06,0x10
24	0x0018	system time--month	Read / Write	NC	01-12	0x03,00x06,0x10
25	0x0019	system time--day	Read / Write	NC	01-31	0x03,00x06,0x10
26	0x001A	system time-hour	Read / Write	NC	00-23	0x03,00x06,0x10
27	0x001B	system time-minutes	Read / Write	NC	00-59	0x03,00x06,0x10
28	0x001C	system time--seconds	Read / Write	NC	00-59	0x03,00x06,0x10
29	0x001D	system week	Read / Write	NC	1=Sun ,2=Mon ,3=Tue ,4=Wed 5=Thu 6=Fri 7=Sat	0x03,00x06,0x10
30	0x001E	IR receiver	Read / Write	NC	0=OFF, 1=ON	0x03,00x06,0x11

Coil

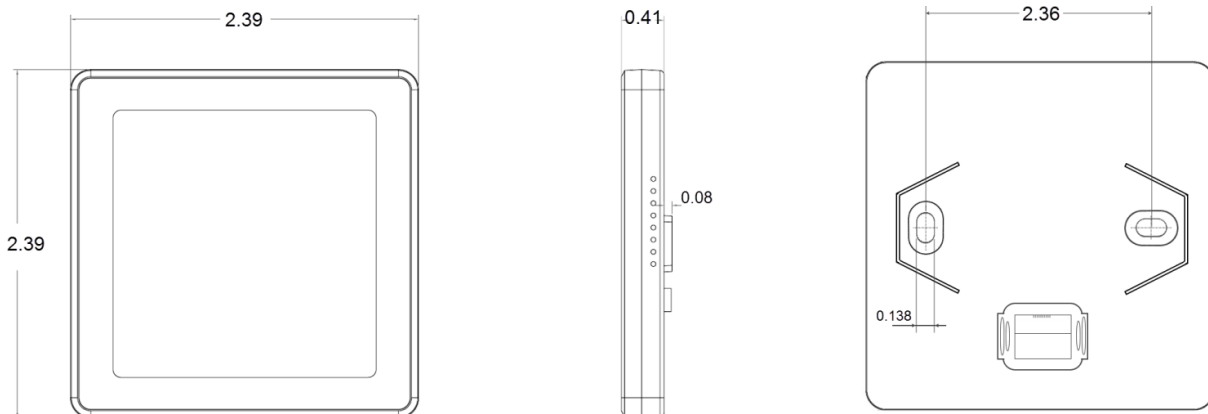
Coil address		Description	R / W	Unit	Options	Function code
0	0x0000	working status	Read -only	NC	0=stop, 1=run	0x01
1	0x0001	failure status	Read -only	NC	0:Non, 1:failure	0x01
2	0x0002	VA1 status	Read -only	NC	0=stop, 1=run	0x01
3	0x0003	VA2 status	Read -only	NC	0=stop, 1=run	0x01
4	0x0004	electrical heating status	Read -only	NC	0=stop, 1=run(this function under cooling+electr-heater is available)	0x01
5	0x0005	low speed status	Read -only	NC	0=stop, 1=run	0x01
6	0x0006	Medium speed status	Read -only	NC	0=stop, 1=run	0x01
7	0x0007	high speed status	Read -only	NC	0=stop, 1=run	0x01

Input Register

Address		Description	R / W	Unit	Options	Function code
0	0x0000	return air temperature	Read -only	0.1°C	0-500(0x01F4), for example:245 and 24.5°C	0x04
1	0x0001	fan status	Read -only	NC	0=stop,2=low,4=medium,8=High	0x04
2	0x0002	VA1 status	Read -only	NC	0=stop, 1=run	0x04
3	0x0003	VA2 status	Read -only	NC	0=stop, 1=run	0x04
4	0x0004	electrical heating status	Read -only	NC	0=stop, 1=runThis function under cooling+electr-heater is available	0x04
5	0x0005	working status	Read -only	NC	0=stop, 1=run	0x04
6	0x0006	failure status	Read -only	NC	0:failure-free, 1:room temperature sensor alarm	0x04
7	0x0007	fan coil type	Read -only	NC	2:cool&heat 2pipe, 4:cool&heat 4pipe, 6:cooling+electr-heater	0x04
8	0x0008	version	Read -only	NC	1010(0x03F2)-9999(0x270F),for example:1322(0x0456) 13 22 communciation protocol version 1.3, software version 2.2	0x04
9	0x0009	External temp sensor	Read-only	NC	0-00-500(0x01F4),e,g:245=24.5°C	0x04

» DIMENSIONS (MM)

Display unit



Base plate

