

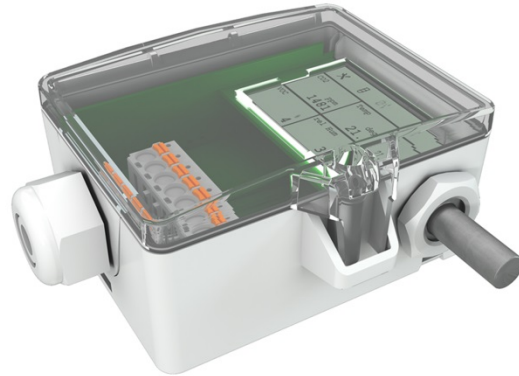
» AGS55+ LCD

Outdoor temperature sensor

thermokon[®]
HOME OF SENSOR TECHNOLOGY

Datasheet

Subject to technical alteration
Issue date: 8/19/2020 • A110



» APPLICATION

Sensor for outdoor temperature measurement: cold rooms, greenhouses, production plants and warehouses. Stainless Steel external probe for faster response.

» TYPES AVAILABLE

Outdoor sensor with display and temperature – active 0..10 V | 4..20 mA | relay

AGS55+ LCD TRV MultiRange
AGS55+ LCD TRA MultiRange
AGS55+ LCD TRV MultiRange Relay

MultiRange: Measuring ranges adjustable at the transducer

» SECURITY ADVICE – CAUTION



The installation and assembly of electrical equipment should only be performed by authorized personnel.

The product should only be used for the intended application. Unauthorized modifications are prohibited! The product must not be used in relation with any equipment that in case of a failure may threaten, directly or indirectly, human health or life or result in danger to human beings, animals or assets. Ensure all power is disconnected before installing. Do not connect to live/operating equipment.

Please comply with

- Local laws, health & safety regulations, technical standards and regulations
- Condition of the device at the time of installation, to ensure safe installation
- This data sheet and installation manual

» NOTES ON DISPOSAL



As a component of a large-scale fixed installation, Thermokon products are intended to be used permanently as part of a building or a structure at a pre-defined and dedicated location, hence the Waste Electrical and Electronic Act (WEEE) is not applicable. However, most of the products may contain valuable materials that should be recycled and not disposed of as domestic waste. Please note the relevant regulations for local disposal.

» BUILD-UP OF SELF-HEATING BY ELECTRICAL DISSIPATIVE POWER

Temperature sensors with electronic components always have a dissipative power, which affects the temperature measurement of the ambient air. The dissipation in active temperature sensors shows a linear increase with rising operating voltage. This dissipative power has to be considered when measuring temperature. In case of a fixed operating voltage ($\pm 0,2$ V) this is normally done by adding or reducing a constant offset value. As Thermokon transducers work with a variable operating voltage, only one operating voltage can be taken into consideration, for reasons of production engineering. Transducers 0..10 V / 4..20 mA have a standard setting at an operating voltage of 24 V =. That means, that at this voltage, the expected measuring error of the output signal will be the least. For other operating voltages, the offset error will be increased by a changing power loss of the sensor electronics. If a re-calibration should become necessary later directly on the sensor, this can be done by means of the USEapp software and an optional Bluetooth interface.

Remark: Occurring draft leads to a better carrying-off of dissipative power at the sensor. Thus temporally limited fluctuations might occur upon temperature measurement.

» TECHNICAL DATA

Measuring values	temperature	
Output voltage	0..10 V or 0..5 V, min. load 10k Ω (live-zero configuration via Thermokon USEapp)	
Output Amp (type-dependent)	TRA 4..20 mA, max. load 500 Ω	
Output switch contact (type-dependent)	Relay 2 floating contacts for 24 V ~ or 24 V = / 3 A	
Power supply (type-dependent)	TRV 15..35 V = or 19..29 V ~ SELV	TRA 15..35 V = SELV
Power consumption	max. 2,5 W (24 V =) 4,3 VA (24 V ~)	
Output signal range temp. *Scaling analogue output	+40..+240 °F (default setting), selectable from 8 temperature ranges -30..+130 0..+250 +40..+140 0..+150 +30..+480 0..+100 +40..+240 +40..+90 °F, optionally configurable via Thermokon USEapp	
Operating temperature range	Max. permissible operating temperature -4..+158 °F	
Accuracy temperature	$\pm 0,5$ K (typ. at 70 °F)	
Display	LCD 1.14x1.38 in. with RGB backlight	
Enclosure	enclosure USE-M, PC, pure white, cover PC, transparent, with removable cable entry	
Protection	IP65 according to EN 60529	
Cable entry (type-dependent)	TRV TRA Flextherm M20, for wire max. $\varnothing=0.18..0.35$ in., removable	Relay M25 with fourfold cable entry for wire with max. $\varnothing=0.28$ in., removable
Connection electrical	removable plug-in terminal, max. 14 AWG	
Pocket	stainless steel V2A, $\varnothing=0.24$ in., L=1 in.	
Ambient condition	max. 85% rH short term condensation	

» PRODUCT TESTING AND CERTIFICATION



Declaration of conformity

The declaration of conformity of the products can be found on our website <https://www.thermokon.de/>.

» **USE ENCLOSURE WITH UV AND WEATHER RESISTANCE**

After some time, outdoor mounted plastics can lose their color and quality. Therefore, all USE housings are made of special white polycarbonate (PC). The light-stable colorants and additives are used to achieve optimum protection of the polymer while maintaining color stability. The titanium dioxide used is specially developed for polycarbonate and offers excellent UV protection through the reflection of the entire light spectrum including the UV component by 340 nm. This effectively counteracts the otherwise occurring photochemical polymer degradation. The colors stay full for a long time without fading. The material is also resistant to cold and frost.

» **CONFIGURATION**



The Thermokon bluetooth dongle with micro-USB is required for communication between USEapp and USE-M / USE L (Item No.: 668262). Commercial bluetooth dongles are not compatible.



Application-specific reconfiguration of the devices can be carried out using the Thermokon USEapp. The configuration is carried out in the voltage-supplied state.



The configuration-app and the app description can be found in the Google Play Store or in the Apple App Store.

» **APPLICATION NOTICE**

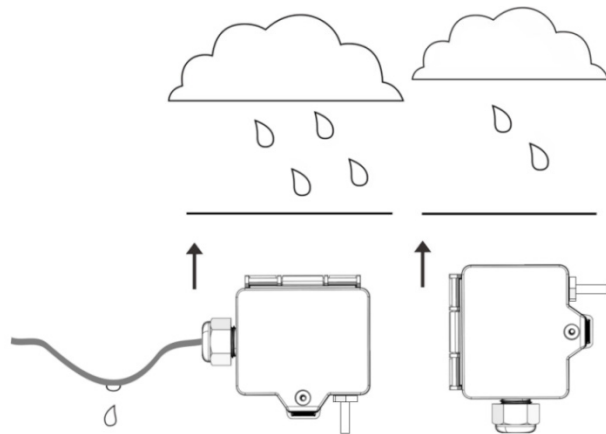


The housing cover must be completely closed in order to ensure the accuracy and reproducibility of the measured values during a test or service log via USEapp.

The Bluetooth dongle snaps into the socket easily. When removing, please fix the plug-in card (option PCB) so that it is not unintentionally pulled out.

» **MOUNTING ADVICES**

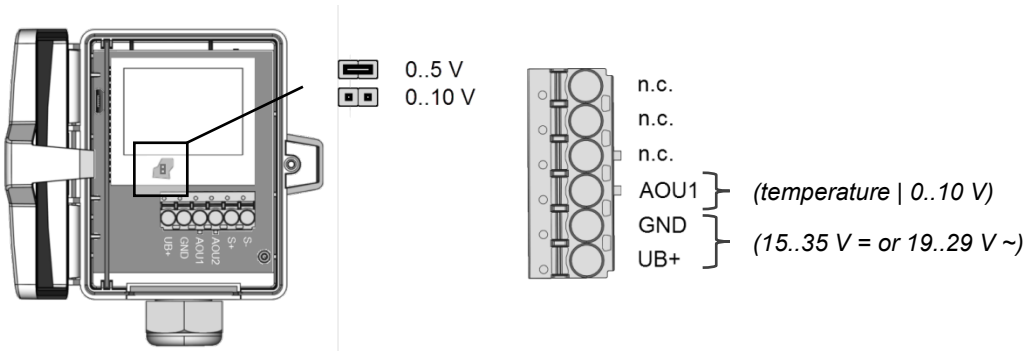
In case of outdoor installation avoid direct rain and sun contact. Probably use sun respectively rain protection. Cable entry from bottom or side. For side cable routing set loop so that precipitation can drain defined. Observe permissible ambient condition.



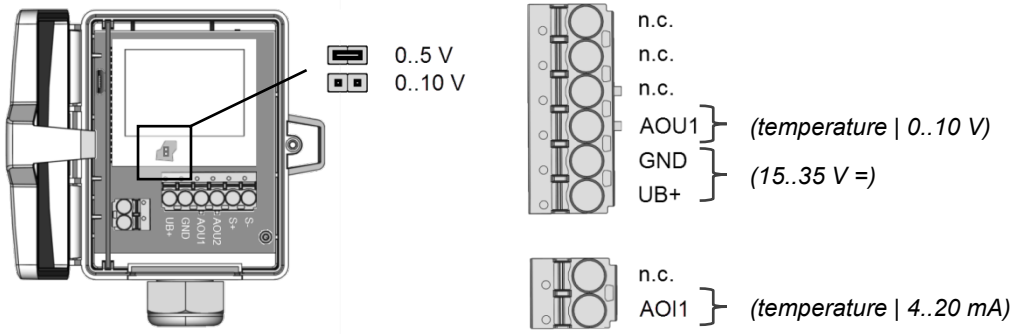
» **CONNECTION PLAN**

To change the output voltage range (default 0..10 V to 0..5 V) via jumper, the display must be removed from the board first.

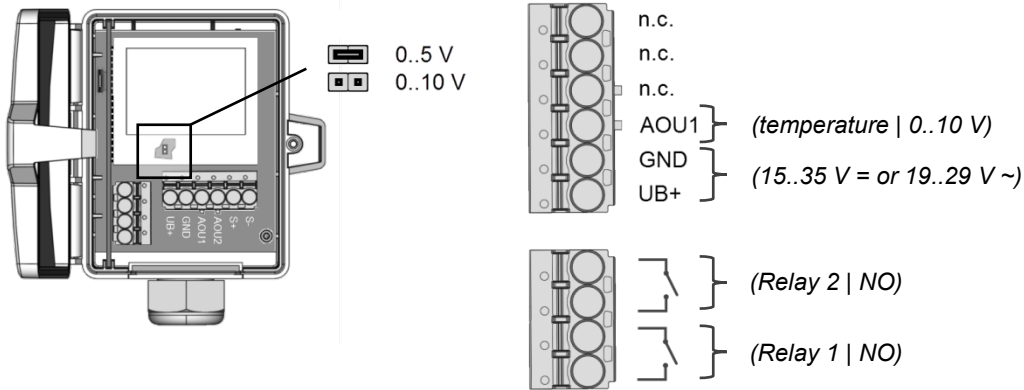
AGS55+ LCD TRV MultiRange



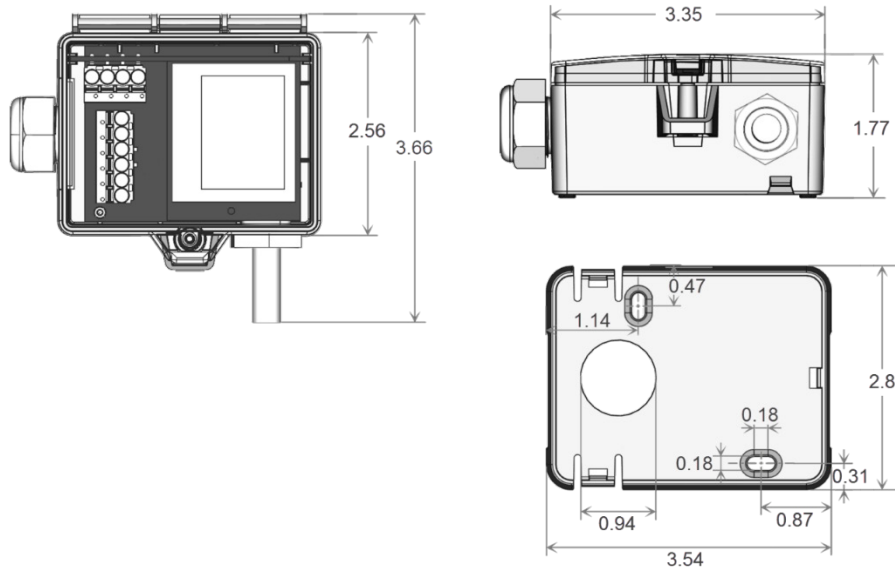
AGS55+ LCD TRA MultiRange



AGS55+ LCD TRV MultiRange Relay



» DIMENSIONS (IN.)



» ACCESSORIES (INCLUDED IN DELIVERY)

- Mounting base
- Mounting kit universal
- Cover screw + screw cover • 2 Rawlplugs • 2 Screws (countersunk head) • 2 Screws (rounded head)

Item No. 631228
Item No. 698511

» ACCESSORIES (OPTIONAL)

- Bluetooth dongle
- Sealing insert M20 USE white, 2x Ø=0.28 in. (for 2 wire; PU 10 pieces)

Item No. 668262
Item No. 641333