

DLF

Pressure Transmitter

thermokon[®]
HOME OF SENSOR TECHNOLOGY

Datasheet

Subject to technical alteration
Issue date: 27.02.2023 • A121



» APPLICATION

For pressure detection in liquid mediums for air conditioning, heating and water application. Suitable for plants with refrigerant.

» TYPES AVAILABLE

	¼ inch connection	½ inch connection
Pressure transmitter – active 0..10 V	DLF<range> V G1/4"	DLF<range> V G1/2"
Pressure transmitter – active 4..20 mA	DLF<range> A G1/4"	DLF<range> A G1/2"

<range> measuring ranges: 0..4 (0..58) | 6 (87) | 10 (145) | 16 bar (232 psi)...other measuring ranges please request

» SECURITY ADVICE – CAUTION

The installation and assembly of electrical equipment should only be performed by authorized personnel.



The product should only be used for the intended application. Unauthorised modifications are prohibited! The product must not be used in relation with any equipment that in case of a failure may threaten, directly or indirectly, human health or life or result in danger to human beings, animals or assets. Ensure all power is disconnected before installing. Do not connect to live/operating equipment.

Please comply with

- Local laws, health & safety regulations, technical standards and regulations
- Condition of the device at the time of installation, to ensure safe installation
- This data sheet and installation manual

» NOTES ON DISPOSAL



As a component of a large-scale fixed installation, Thermokon products are intended to be used permanently as part of a building or a structure at a pre-defined and dedicated location, hence the Waste Electrical and Electronic Act (WEEE) is not applicable. However, most of the products may contain valuable materials that should be recycled and not disposed of as domestic waste. Please note the relevant regulations for local disposal.

» PRODUCT TESTING AND CERTIFICATION



Declaration of conformity

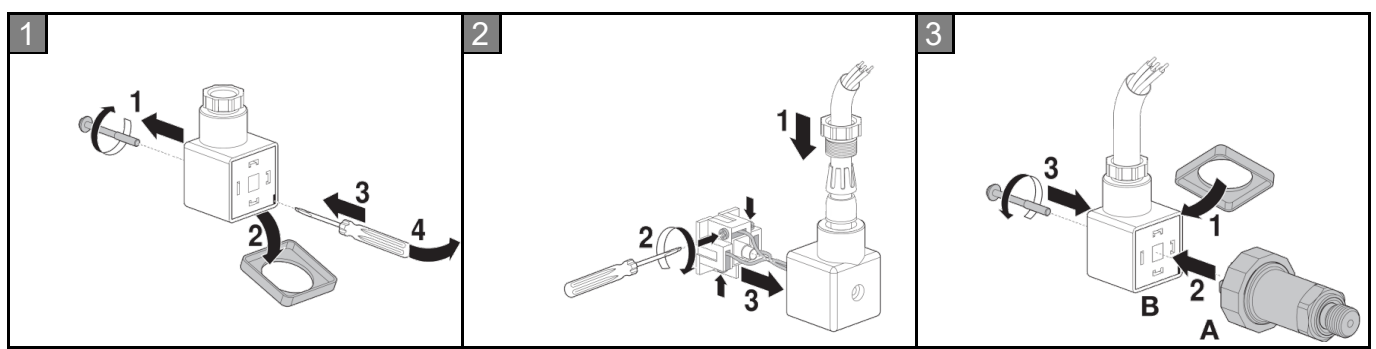
The declaration of conformity of the products can be found on our website <https://www.thermokon.de/>.

» TECHNICAL DATA

Measuring values	pressure	
Medium	fluids, air or other non-flammable/non-aggressive gases	
Output voltage	0..10 V, min. load 5 k Ω	
Output Amp	4..20 mA, max. load 500 Ω	
Power supply	V 15..24 V = (\pm 10%) or 24 V ~ (\pm 10%) SELV	A 15..24 V = (\pm 10%) SELV
Power supply when using with UD-x Display	V 24 V = or 24 V ~ (\pm 10%) SELV	A 24 V = SELV
Power consumption	V typ. 0,15 W (24 V =) 0,3 VA (24 V ~)	A typ. 0,5 W (24 V =)
Working range temp.	-40..+257 °F	
Measuring range pressure	depending on device	
Accuracy pressure	\pm 0,5% (typ. at 70 °F)	
Max. working overpressure	2-fold nominal pressure	
Enclosure	wetted parts stainless steel V2A	
Protection	IP65 according to EN 60529	
Cable entry	compression fitting for cable max. \varnothing =0.31 in.	
Connection electrical	connector MVS according to EN175301-803	
Connection mechanical	G 1/4", G 1/2"	
Ambient condition	-40..+221 °F	
Weight	approx. 60 g	
Notes	other measuring ranges please request, adaptor to 1/2" available	

» MOUNTING ADVICES

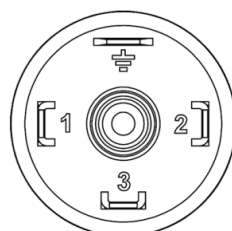
- For connection the device the device, all process lines must be depressurised.
- The device has to be secured against pressure surges by appropriate measures.
- Consider the suitability of the device for the medium to be measured
- Consider maximum pressure
- For screwing use only the spanner flat of the stainless steel body. Never turn the sensor on the plastic ring.



» CONNECTION PLAN

DLF V – active 0..10 V

1	24 V = / 24 V ~
2	GND
3	Out 0..10 V



DLF A – active 4..20 mA

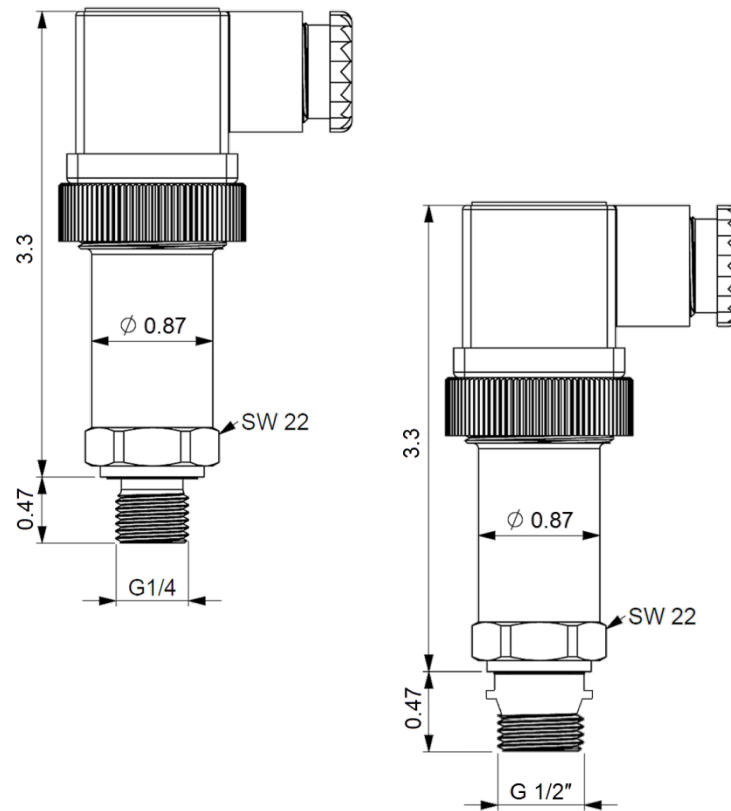
1	24 V =
2	GND Out 4..20 mA
3	-

» COMMISSIONING

Pressure peaks are to be damped by design measures (capillary).

Prerequisite for commissioning is the proper installation of all electrical supply, control and sensing leads as well as the pressure connection lines.

Check the tightness of the connection lines before commissioning.

» DIMENSIONS (MM)**» ACCESSORIES (OPTIONAL)**

Display UD-A (for 4..20mA device)

Display UD-V (for 0..10V device)

Art.-No. 718189

Art.-No. 775113