

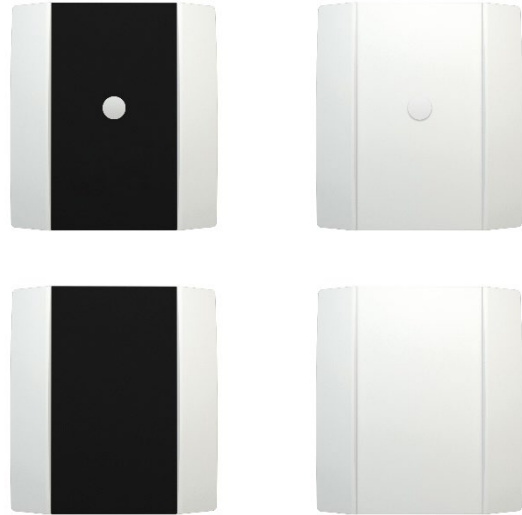
NOVOS 3 RS485 Modbus

Room sensor, optional with CO2 | VOC | Temperature | Humidity

thermokon[®]
HOME OF SENSOR TECHNOLOGY

Datasheet

Subject to technical alteration
Issue date: 23.02.2023 • A123



*with design cover (left), standard design w/o design cover (right)

» APPLICATION

The maintenance-free sensor creates the conditions for a pleasant indoor climate and well-being. Typical applications are schools, office buildings, hotels, cinemas or similar. The device is available with additional LED display (traffic light function) with color change function for displaying the measured values. The threshold values can be individually configured via the Thermokon NOVOSApp.

» TYPES AVAILABLE

Room sensor temperature – active RS485 Modbus

- NOVOS 3 Temp RS485 Modbus
- NOVOS 3 Temp_rH RS485 Modbus
- NOVOS 3 CO2 Temp RS485 Modbus
- NOVOS 3 CO2 Temp_rH RS485 Modbus
- NOVOS 3 VOC Temp RS485 Modbus
- NOVOS 3 VOC Temp_rH RS485 Modbus
- NOVOS 3 CO2 + VOC RS485 Modbus
- NOVOS 3 CO2 + VOC Temp RS485 Modbus
- NOVOS 3 CO2 + VOC Temp_rH RS485 Modbus

Devices with CO2 optional with TLF (RGB-LED indicating air quality (traffic light function 'TLF'))

» SECURITY ADVICE – CAUTION

The installation and assembly of electrical equipment should only be performed by authorized personnel.



The product should only be used for the intended application. Unauthorised modifications are prohibited! The product must not be used in relation with any equipment that in case of a failure may threaten, directly or indirectly, human health or life or result in danger to human beings, animals or assets. Ensure all power is disconnected before installing. Do not connect to live/operating equipment.

Please comply with

- Local laws, health & safety regulations, technical standards and regulations
- Condition of the device at the time of installation, to ensure safe installation
- This data sheet and installation manual

» PRODUCT TESTING AND CERTIFICATION



Declaration of conformity

The declaration of conformity of the products can be found on our website <https://www.thermokon.de/>

» MOUNTING ADVISE ROOM SENSORS

The Accuracy of the room sensors are influenced by the technical specifications as well as the positioning and the installation type.

During Assembly:

- Seal mounting box (if present).
- Installation type, air draught, heat source, radiation heat or direct sunlight can affect the measurement.
- Bulding material specific properties of the installation place (*brick-, concrete-, partition wall, cavity wall, ...*) can affect the measurement. (*e.g.: Concrete accepts room temperature variation slower than cavity walls*)

Assembly not recommendet in...

- Air draught (e.g.: close to windows / doors / fans ...)
- Near heating sources,
- Direct sunlight
- Niches / between furniture / ...

» BUILD-UP OF SELF-HEATING BY ELECTRICAL DISSIPATIVE POWER

Sensors with electronic components always have a dissipative power, which affects the temperature measurement of the ambient air. The dissipation in active temperature sensors shows a linear increase with rising operating voltage. This dissipative power has to be considered when measuring temperature. In case of a fixed operating voltage ($\pm 0,2$ V) this is normally done by adding or reducing a constant offset value.

Thermokon transducers can be operated with variable operating voltages. The transducers are set at the factory with a reference operating voltage of 24 V =.

At this voltage, the expected measuring error of the output signal will be the least. Other operating voltages, can cause a measurement deviation changing power loss of the sensor electronics.

A recalibration can be carried out directly on the unit or via a software variable (app or bus).

Remark: Occurring draught leads to a better carrying-off of dissipative power at the sensor. Thus temporally limited fluctuations might occur upon temperature measurement.

» APPLICATION NOTICE FOR HUMIDITY SENSORS

At regular environmental condition, it is recommended to calibrate the sensor annually to check the compliance with the accuracy required in the application. The following conditions can damage the sensor element or lead in long term to loss of the specified accuracy:

- Mechanical stress
- Contamination (e.g. dust / fingerprints)
- Aggressive chemicals
- Ambient conditions (e.g. condensation on measuring element)



Do not touch the sensor elements!

Re-calibration or exchange of the sensor element are not subject of the general warranty.

» INFORMATION ABOUT SELF-CALIBRATION FEATURE CO2

All gas sensors are subject to drift. The degree of drift is dependent on the use of components and product design. In addition, the following environmental conditions, among others, can accelerate/ favor the aging and wear of the sensors:

- Mechanical stress (also due to temperature fluctuation)
- Contamination (dust / fingerprints e.g.)
- Abrasive chemicals
- Environmental influences (high humidity / condensation on measuring element)

An internal self calibration function with dual channel technology compensates the caused drift. Thermokon sensors are for permanent use (e.g. hospitals).

» INFORMATION ABOUT INDOOR AIR QUALITY CO2

EN 13779 defines several classes for indoor air quality:

Category	CO ₂ content above the content in outdoor air in ppm		Description
	Typical range	Standard value	
IDA1	<400 ppm	350 ppm	Good indoor air quality
IDA2	400.. 600 ppm	500 ppm	Standard indoor air quality
IDA3	600..1.000 ppm	800 ppm	Moderate indoor air quality
IDA4	>1.000 ppm	1.200 ppm	Poor indoor air quality

» APPLICATION NOTICE FOR AIR QUALITY SENSORS VOC

Volatile organic compounds (VOC) are gaseous and vaporous substances of organic origin in the air. VOC-sensors monitor the significant part of humanly olfactory sensed air quality. (e.g. body odor | tobacco smoke | odor of materials, furniture, carpets, paint, adhesives, ...)

The VOC-Value is an application-specific indication for air quality and doesn't provide any information about individual components of VOC

A VOC sensor oxidises the organic molecules that collide with it, which results in changing the resistance of the semiconductor.

Any contact with the sensitive sensors must be avoided and will invalidate the warranty.

The VOC Sensor is factory calibrated and can be calibrated via NOVOSapp subsequently, if needed.

» NOTES ON DISPOSAL



As a component of a large-scale fixed installation, Thermokon products are intended to be used permanently as part of a building or a structure at a pre-defined and dedicated location, hence the Waste Electrical and Electronic Act (WEEE) is not applicable. However, most of the products may contain valuable materials that should be recycled and not disposed of as domestic waste. Please note the relevant regulations for local disposal.

» **TECHNICAL DATA**

Measuring values <i>(optional)</i>	temperature humidity CO2 VOC
Network technology	RS485 Modbus, RTU, half-duplex, baud rate 9.600, 19.200, 38.400 or 57600, parity: none (1 stopbit, alternative 2 stopbits), even or odd (1 stopbit), Fail-safe Biasing required
Power supply	15..35 V = (or 19..29 V ~)* SELV
Power consumption	typ. 0,4 W (24 V =) 0,8 VA (24 V ~)
Inputs	1x input for floating contact
Enclosure	PC V0, pure white, design cover (optional)
Protection	IP20 according to DIN EN 60529
Cable entry	rear entry, breaking points bottom, drill mark top
Connection electrical	tool-free mountable spring terminal, max. AWG16
Ambient condition	-31..+158 °F, max. 85% non-condensing, with CO2 or VOC sensor operating temperature range +32..+122 °F
Mounting	surface mounted on flush-mounting box (Ø=2.36 in. 60 mm) or to be mounted flat onto the surface using screws, base part can be mounted and wired separately
Notes	for configuration an optional programming dongle (Bluetooth) is available (refer to accessories)

» **Temperature**

Measuring range temp	-31..+158 °F
Accuracy temperature	±0,5 K (typ. 70 °F)

» **Humidity**

Measuring range humidity <i>(optional configurable)</i>	relative humidity (default) 0..100% rH	Enthalpy 0..85 KJ/kg 0..37 BTU/lb	absolute humidity 0..50 0..80 g/m ³ 0..1,5 0..2,3 g/ft ³	dew point +32..+122 -4..+176 °F
	configurable via Thermokon NOVOSapp or BUS			
Accuracy humidity	±2% between 10..90% rH (typ. at 70 °F)			

» **CO2**

Measuring range CO2	0..2000 ppm 0..5000 ppm (configurable via Thermokon NOVOSapp or BUS)
Accuracy CO2	±50 ppm +3 % of reading (typ. at 70 °F, 50% rH, 1015 hPa)
Calibration	self-calibration dual channel
Sensor	NDIR (non-dispersive, infrared)
Display <i>(optional)</i>	RGB-LED indicating air quality (traffic light function 'TLF')

» **VOC**

Measuring range VOC	0..100 %
Calibration	self-calibration
Sensor	VOC sensor (heated metal oxide semiconductor)

***Power supply**

When several BUS devices are supplied by one 24 V AC voltage supply, it is to be ensured that all "positive" operating voltage input terminals (+) of the field devices are connected with each other and all "negative" operating voltage input terminals (-) (=reference potential) are connected together (in-phase connection of field devices).

In case of reversed polarity at one field device, a supply voltage short-circuit would be caused by that device. The consequential short-circuit current flowing through this field may cause damage to it.

Therefore, pay attention to correct wiring.

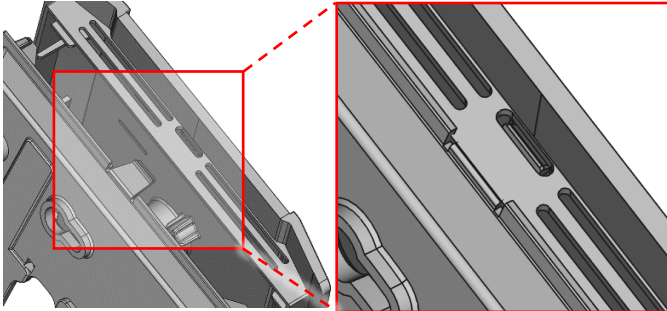
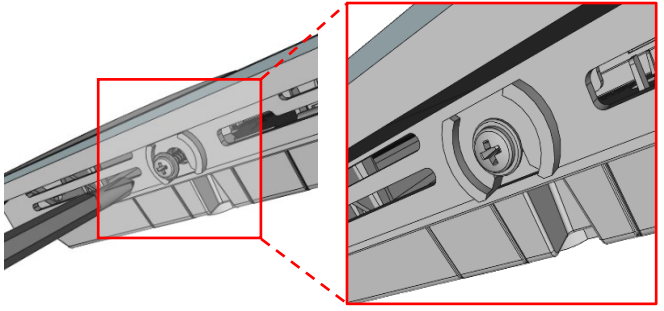
» MOUNTING ADVICES

Please make sure that the device is de-energized if you want to install it!

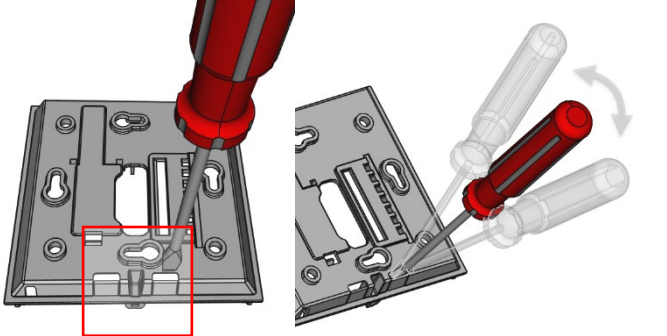
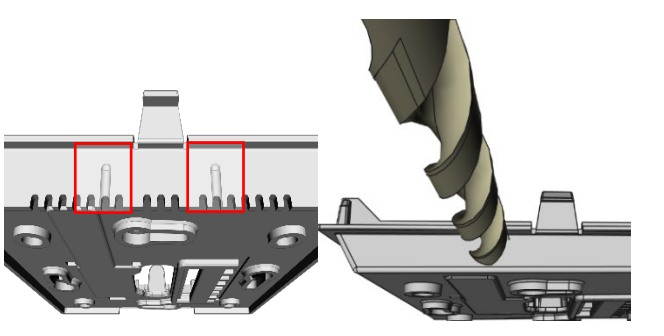
The installation can be performed on the flat wall surface or on a flush-mounted box. A representative place should be selected. Sunshine and draft, e.g. in the installation tube should be avoided, so that the measurement result is not falsified. Seal the end of the installation tube.

- For wiring, the upper part of the device must be removed from the base plate. Base plate and upper part are detachably connected to each other by means of locking lugs.
- The mounting of the base plate on the flat wall surface is done with rawplugs and screws.
- Finally, the device is attached to the base plate and fixed with the screw.

Housing open / close

<p>Snap the upper part of the housing into the locking lug on the upper side</p>	<p>Fix the upper part of the housing on the underside with the screw included in the delivery.</p>
	

Cable entry

<p>There are predetermined breaking points for 2 optional cable entries on the underside of the base plate</p>	<p>On the upper side of the base plate there are 2 grits as position for a drill hole max. Ø 6 mm</p>
	



When using a drill, you should absolutely ensure that the base plate is firmly clamped. Before drilling, the pressure must be reduced and carefully drilled. A sudden break-through of the drill bit can be the result.

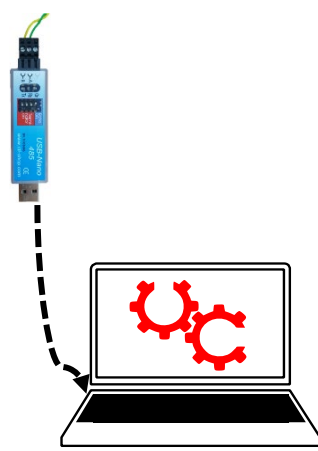
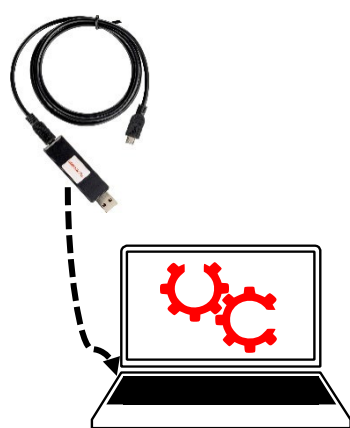

» CONNECTION PLAN

Room sensor – active RS485 Modbus

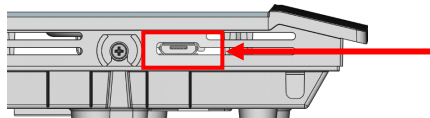
<p>NOVOS 3 RS485 Modbus</p>		<p>With alternating voltage, the correct polarity must be ensured! Please note the technical data.</p>																										
<table border="0"> <tr> <td></td> <td> -DI</td> <td>digital input (for floating contact → GND)</td> <td></td> </tr> <tr> <td></td> <td> -B-</td> <td>BUS B</td> <td rowspan="2"> </td> </tr> <tr> <td></td> <td> -B-</td> <td>BUS B</td> </tr> <tr> <td></td> <td> -A+</td> <td>BUS A</td> <td></td> </tr> <tr> <td></td> <td> -A+</td> <td>BUS A</td> <td></td> </tr> <tr> <td></td> <td> -GND</td> <td>0 V ⊥</td> <td></td> </tr> <tr> <td></td> <td> -UB+</td> <td>15..35 V = / 19..29 V ~ Δ</td> <td></td> </tr> </table>			-DI	digital input (for floating contact → GND)			-B-	BUS B			-B-	BUS B		-A+	BUS A			-A+	BUS A			-GND	0 V ⊥			-UB+	15..35 V = / 19..29 V ~ Δ	
	-DI	digital input (for floating contact → GND)																										
	-B-	BUS B																										
	-B-	BUS B																										
	-A+	BUS A																										
	-A+	BUS A																										
	-GND	0 V ⊥																										
	-UB+	15..35 V = / 19..29 V ~ Δ																										

» CONFIGURATION

The configuration is performed in powered state. The following options are available for configuring the device:

Device connection	RS485	Micro-USB	Micro-USB
Configuration-adapter	<p>USB-RS485 Converter</p> 	<p>Thermokon USB-Interface</p> 	<p>USB-Bluetooth Dongle</p> 
Configuration-software	<p>PC/Notebook with uConfig software</p> <p><i>Parameterization via desktop PC/Notebook with uConfig software and a USB/RS485 converter (Item No. 668293)</i></p>	<p>PC/Notebook with uConfig software</p> <p><i>Parameterization via desktop PC/Notebook with uConfig software, via Thermokon USB-Interface* (Item No. 597838)</i></p>	<p>Smartphone/Tablet with NOVOS App</p> <p><i>Parameterization with mobile devices via Bluetooth and NOVOSapp. A separately available Bluetooth dongle* is required (item no. 668262)</i></p>

*Commercially available Bluetooth dongles or USB to Micro-USB adapter cables are not compatible. You need a mobile device that supports at least Bluetooth version 4.1. The configuration app with the corresponding instructions can be downloaded from the Google Play Store or the Apple App Store.



Position of the micro USB port, see bottom of the device, for configuration with Bluetooth dongle or Micro-USB programming interface

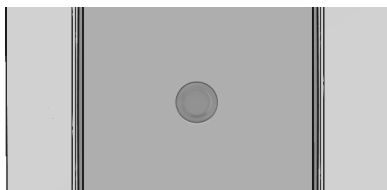
A configuration during operation is additionally via BMS through RS485 connection possible.

» TLF – TRAFFIC LIGHT FUNCTION (OPTIONAL)

The traffic light function can be implemented with any available measured variable. Different colours can be assigned for up to 5 different measuring ranges.

Example: CO2 TLF

The LED visualizes the air quality value (Thresholds and colors optionally configurable via Thermockn NOVOSapp or BUS).

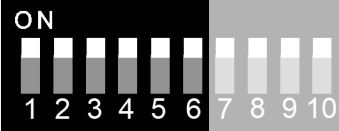


CO2 (Factory default)	Behavior of the LED
0..750 ppm	LCD lights up in green
751..1250 ppm	LCD lights up in yellow
1251..2000 ppm	LCD lights up in red

» DIP-SWITCH-SETTINGS

The modbus address of the device is set in the range of 1 ... 63 (binary encoded) using a 6-pole DIP switch. With address 0 via DIP, an extended address range (64..247) is available via NOVOSapp.

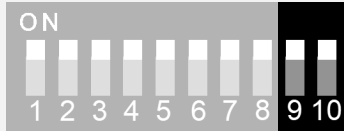
Modbus-Adress - DIP 1..6 (binary coded)						
Dip switch	1 = on	2 = on	3 = on	4 = on	5 = on	6 = on
Value	2 ⁰ (1)	2 ¹ (2)	2 ² (4)	2 ³ (8)	2 ⁴ (16)	2 ⁵ (32)
Factory default, address 63						



Baud rate - DIP 7 & 8			
7	8	Baud rate	
off	off	9600	
on	off	19200	
off	on	38400	
on	on	57600	(factory default)



Parity / Stop bits - DIP 9 & 10		
9	10	Parity
off	off	None – 2-Stopbits
on	off	Even – 1 Stopbit
off	on	Odd – 1 Stopbit
on	on	None – 1-Stopbit (factory default)



Adress	Access	Description	Scaling / Unit
501	R	relative humidity	850 = 85,0 %rF
505	R	CO2	1.0 ppm
506	R	VOC	0.1 %
507	R	CO2 / VOC MIX	
514	R	Status digital input	open = 0 closed = 1

Register 1100 = 1 (Unit SI)

Adress	Access	Description	Scaling / Unit
500	R	Temperature	210 = 21,0 °C
502	R	Absolute humidity	1500 = 15,0 g/m³
503	R	Enthalpy	550 = 55,0 kJ/m³
504	R	Dew point	180 = 18,0 °C

Register 1100 = 2 (Unit Imperial)

Adress	Access	Description	Scaling / Unit
500	R	Temperature	700 = 70,0 °F
502	R	Absolute humidity	4200 = 4,2 gr/ft³
503	R	Enthalpy	240 = 24,0 BTU/lb
504	R	Dew point	600 = 60,0 °F

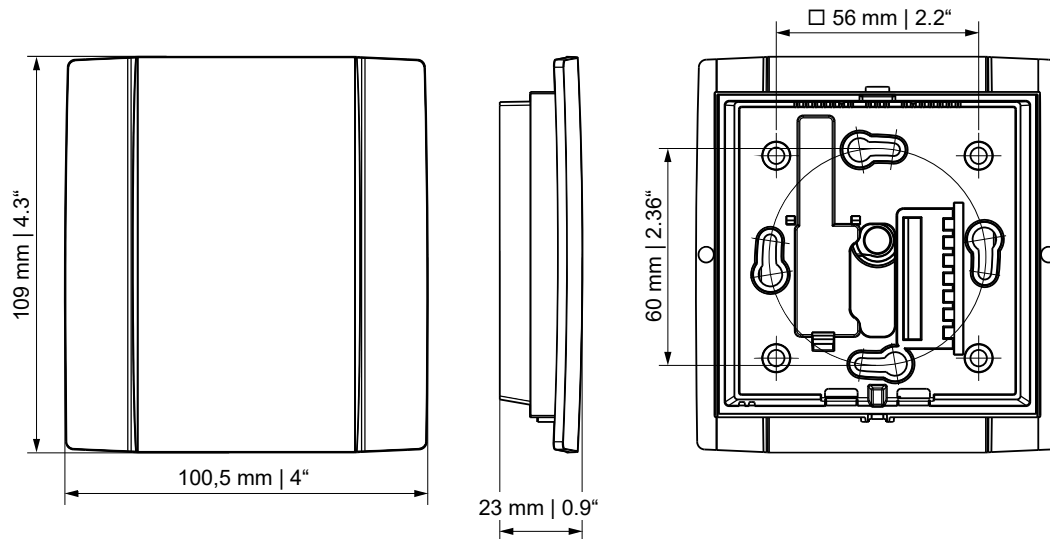


Modbus addresses:

NOVOS-RS485 Modbus Interface

A detailed description of the Modbus addresses can be found under the following link: → [Download](#)

» DIMENSIONS MM (IN.)



» ACCESSORIES (OPTIONAL)

Rawplugs and screws (2 pcs. each)
 PSU-UP24 – flush mount power supply 24 V (AC Input: 100..240 V ~ | DC Output 24 V = 0,5 A)
 Mounting bracket (surface mounted) white
 Mounting bracket (surface mounted) black

Item No. 102209
 Item No. 645737
 Item No. 795050
 Item No. 795074

Bluetooth dongle
 Thermokon USB-Interface
 USB RS485 Modbus RTU Logger
 USB Interface RS485 (incl. driver CD)
 RS485 Biasing Adapter

Item No. 668262
 Item No. 597838
 Item No. 809917
 Item No. 668293
 Item No. 811378