

# NOVOS 7 LON

Room operating unit temperature, optional with humidity | CO2 | VOC

**thermokon**<sup>®</sup>  
HOME OF SENSOR TECHNOLOGY

## Datasheet

Subject to technical alteration  
Issue date: 05.10.2022 • A120

**novos**  
**LON**  
LOCAL OPERATING NETWORK



## » APPLICATION

Room control unit with room temperature measurement, optional humidity, CO2 or VOC and a monitoring function for colourful visualization of the measured values. The maintenance-free sensor creates the conditions for a pleasant indoor climate and well-being. Typical applications are schools, office buildings, hotels or cinemas. The room control unit has a high-resolution 3.5" display. The innovative and self-explanatory operation offers all relevant functions for intelligent room automation.

## » TYPES AVAILABLE

### Room operating unit temperature + optional humidity, CO2, VOC – active BUS

- NOVOS 7 Temp LON
- NOVOS 7 Temp\_rH LON
- NOVOS 7 CO2 Temp\_rH LON
- NOVOS 7 VOC Temp\_rH LON
- NOVOS 7 CO2+VOC Temp\_rH LON

## » SECURITY ADVICE – CAUTION



The installation and assembly of electrical equipment should only be performed by authorized personnel. The product should only be used for the intended application. Unauthorised modifications are prohibited! The product must not be used in relation with any equipment that in case of a failure may threaten, directly or indirectly, human health or life or result in danger to human beings, animals or assets. Ensure all power is disconnected before installing. Do not connect to live/operating equipment.

Please comply with

- Local laws, health & safety regulations, technical standards and regulations
- Condition of the device at the time of installation, to ensure safe installation
- This data sheet and installation manual

## » PRODUCT TESTING AND CERTIFICATION



### Declaration of conformity

The declaration of conformity of the products can be found on our website <https://www.thermokon.de/>

## » NOTES ON DISPOSAL



As a component of a large-scale fixed installation, Thermokon products are intended to be used permanently as part of a building or a structure at a pre-defined and dedicated location, hence the Waste Electrical and Electronic Act (WEEE) is not applicable. However, most of the products may contain valuable materials that should be recycled and not disposed of as domestic waste. Please note the relevant regulations for local disposal.

## » MOUNTING ADVISE ROOM SENSORS

The Accuracy of the room sensors are influenced by the technical specifications as well as the positioning and the installation type.

### During Assembly:

- Seal mounting box (if present).
- Installation type, air draught, heat source, radiation heat or direct sunlight can affect the measurement.
- Bulding material specific properties of the installation place (*brick-, concrete-, partition wall, cavity wall, ...*) can affect the measurement. (e.g.: *Concrete accepts room temperature variation slower than cavity walls*)

### Assembly not recommendet in...

- Air draught (e.g.: close to windows / doors / fans ...)
- Near heating sources,
- Direct sunlight
- Niches / between furniture / ...

## » BUILD-UP OF SELF-HEATING BY ELECTRICAL DISSIPATIVE POWER

Sensors with electronic components always have a dissipative power, which affects the temperature measurement of the ambient air. The dissipation in active temperature sensors shows a linear increase with rising operating voltage. This dissipative power has to be considered when measuring temperature. In case of a fixed operating voltage ( $\pm 0,2$  V) this is normally done by adding or reducing a constant offset value.

Thermokon transducers can be operated with variable operating voltages. The transducers are set at the factory with a reference operating voltage of 24 V =.

At this voltage, the expected measuring error of the output signal will be the least. Other operating voltages, can cause a measurement deviation changing power loss of the sensor electronics.

A recalibration can be carried out directly on the unit or via a software variable (app or bus).

**Remark: Occurring draught leads to a better carrying-off of dissipative power at the sensor. Thus temporally limited fluctuations might occur upon temperature measurement.**

## » APPLICATION NOTICE FOR HUMIDITY SENSORS

At regular environmental condition, it is recommended to calibrate the sensor annually to check the compliance with the accuracy required in the application. The following conditions can damage the sensor element or lead in long them to loss of the specified accuracy:

- Mechanical stress
- Contamination (e.g. dust / fingerprints)
- Aggressive chemicals
- Ambient conditions (e.g. condensation on measuring element)



**Do not touch the sensor elements!**

**Re-calibration or exchange of the sensor element are not subject of the general warranty.**

## » INFORMATION ABOUT SELF-CALIBRATION FEATURE CO2

All gas sensors are subject to drift. The degree of drift is dependent on the use of components and product design. In addition, the following environmental conditions, among others, can accelerate/ favor the aging and wear of the sensors:

- Mechanical stress (also due to temperature fluctuation)
- Contamination (dust / fingerprints e.g.)
- Abrasive chemicals
- Environmental influences (high humidity / condensation on measuring element)

An internal self calibration function with dual channel technology compensates the caused drift. Thermokon sensors are for permanent use (e.g. hospitals).

## » INFORMATION ABOUT INDOOR AIR QUALITY CO2

EN 13779 defines several classes for indoor air quality:

Category	CO2 content above the content in outdoor air in ppm		Description
	Typical range	Standard value	
IDA1	<400 ppm	350 ppm	Good indoor air quality
IDA2	400.. 600 ppm	500 ppm	Standard indoor air quality
IDA3	600..1.000 ppm	800 ppm	Moderate indoor air quality
IDA4	>1.000 ppm	1.200 ppm	Poor indoor air quality

## » APPLICATION NOTICE FOR AIR QUALITY SENSORS VOC

Volatile organic compounds (VOC) are gaseous and vaporous substances of organic origin in the air. VOC-sensors monitor the significant part of humanly olfactory sensed air quality. (e.g. body odor | tobacco smoke | odor of materials, furniture, carpets, paint, adhesives, ...)

**The VOC-Value is an application-specific indication for air quality and doesn't provide any information about individual components of VOC**

A VOC sensor oxidises the organic molecules that collide with it, which results in changing the resistance of the semiconductor.

**Any contact with the sensitive sensors must be avoided and will invalidate the warranty.**

The VOC Sensor is factory calibrated and can be calibrated via NOVOSapp subsequently, if needed.

## » TECHNICAL DATA

Measuring values	temperature, optional humidity   CO2   VOC
Network technology	LON TP/FT-10 (twisted pair / free topology)
Power supply <sup>1</sup>	24 V = (±10%) SELV
Power consumption	typ. 2 W (24 V =)
Inputs	2x input for floating contact, 1x input for external NTC10k
Control functions	occupancy signalling, light ON/OFF/DIM, setup scenarios, blinds UP/DOWN/SET, fan stages, setpoint, measured value display & history
Display	TFT 3,5", 320x240 px
Enclosure	PC V0, enclosure colour: pure white, black or aluminium, design cover pure white, black or aluminium
Protection	IP30 according to DIN EN 60529
Cable entry	rear entry, drill mark top
Connection electrical	tool-free mountable spring terminal, max. AWG21
Ambient condition	+32..+122 °F, max. 85% non-condensing
Mounting	surface mounted on flush-mounting box (Ø=2.36 in.   60 mm), base part can be mounted and wired separately

### » Temperature

Measuring range temperature	0..+50 °C (+40..+90 °F)
Accuracy temperature	±0,5K (typ. at 70 °F)

### » Humidity (optional)

Measuring range humidity (optional configurable)	<b>relative humidity</b>	<b>Enthalpy</b>	<b>absolute humidity</b>	<b>dew point</b>
	0..100% rH	0..37 BTU/lb	0..1,5   0..2,3 g/ft <sup>3</sup>	+32..+122   -4..+176 °F
	configurable via Thermokon NOVOSapp or BUS			
Accuracy humidity	±2% between 10..90% rH (typ. at 70 °F)			

### » CO2 (optional)

Measuring range CO2	0..2000   0..5000 ppm (configurable via Thermokon NOVOSapp or BUS)
Accuracy CO2	±(50 ppm +3 % of reading), (typ. at 70 °F, 50% rH, 1015 hPa)
Calibration	self-calibration dual channel
Sensor	NDIR (non-dispersive, infrared)

### » VOC (optional)

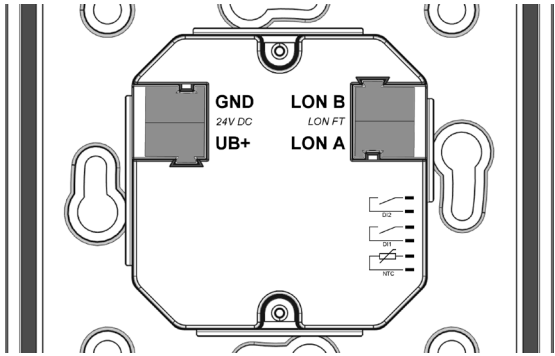
Measuring range VOC	0..100 %
Calibration	self-calibration
Sensor	VOC sensor (heated metal oxide semiconductor)
Notes	mixed gas sensors detect gases and vapours which can be oxidised (burnt): Body odours, tobacco smoke, exhalations emitted by materials (furniture, carpets, paint, glue ...)

» CONNECTION PLAN

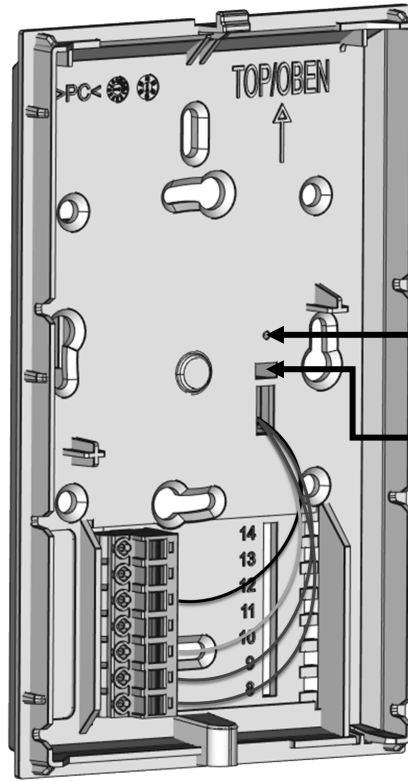
Room operating unit – active LON

The power supply and the bus line are connected via socket terminals on the rear of the device.

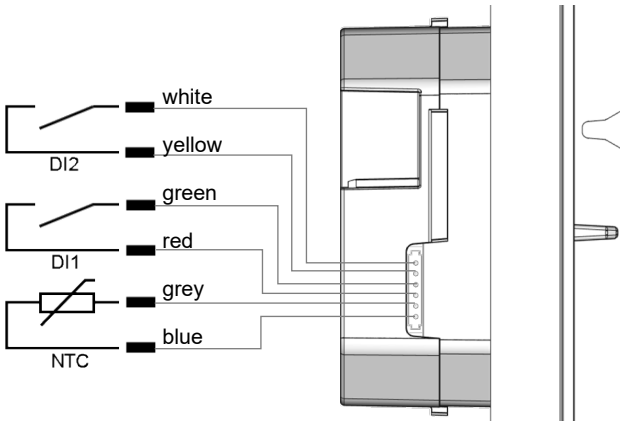
When the service pin is activated, the service pin telegram is transmitted with the LON device identification - the Neuron chip ID.



On the side of the lower part of the housing there is a socket connector for connecting up to 2 digital inputs and an NTC10k. The connection is made via a pre-assembled female connector (included in delivery).



Service LED  
Service PIN



» MOUNTING ADVICES

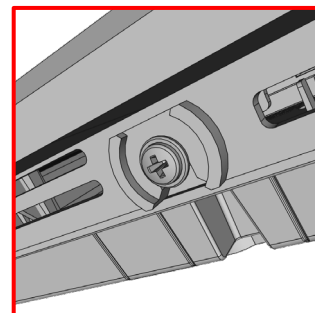
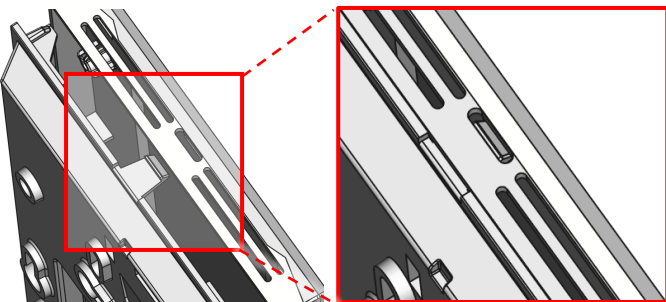
Please make sure that the device is de-energized if you want to install it!

The installation can be performed on the flat wall surface or on a flush-mounted box. A representative place should be selected. Sunshine and draft, e.g. in the installation tube should be avoided, so that the measurement result is not falsified. Seal the end of the installation tube.

- For wiring, the upper part of the device must be removed from the base plate. Base plate and upper part are detachably connected to each other by means of locking lugs.
- The mounting of the base plate on the flat wall surface is done with rawplugs and screws.
- Finally, the device is attached to the base plate and fixed with the screw.

Snap the upper part of the housing into the locking lug on the upper side

Fix the upper part of the housing on the underside with the screw



» FUNCTIONAL DESCRIPTION - MAIN SCREEN NOVOS 7

**Main screen**  
The display on the main screen of the NOVOS room control unit can be freely parameterised. All icons and notifications can be switched ON and OFF. Set point can also be overwritten.

**Room temperature**  
The current temperature in the room can be shown on the display.

**Favourit buttons 2-5**  
Below the edge of the screen, there are 4 freely parameterizable capacitive keys. The corresponding symbols are displayed in the footer of the main screen.

**Headline**  
In the header of the main screen, various icons can be shown or hidden as desired.

**Date / time**  
The time and date are in the center of the main screen.

**Set point**  
The currently set setpoint of the room control unit is displayed below the room temperature.

**Rotary / push button (Favourite button 1)**  
The push/turn control is used to navigate through the extensive submenus. In addition, a favorites function can be defined on the pushbutton.  
  
If the turn control is operated, the function submenu (Carousel) is called up.

» MENU OVERVIEW (CAROUSEL)

**Headline**  
equivalent to the functions such as window status or room reservation, the corresponding symbol is displayed or changed.

**Scene**  
For controlling up to 8 different scenes.

**Measured values**  
Submenu for displaying internal or external measured values.

**Settings**  
Menu for various settings  
Default access password: 2030

**Display OFF**  
Switches the display off. Pressing any key again activates the display.

**Back button symbol**  
Back to the main menu.

**Shading**  
For controlling up to 8 shading circuits.

**Light**  
Control of up to 8 light circuits.

**Room occupancy**  
occupied/unoccupied

**Fan stages**  
For controlling up to 5 fan speeds.

**Temperature**  
Submenu for setpoint adjustment.

## » CONFIGURATION AND COMMISSIONING

A plug-in for the LonMaker® integration tool is available for configuring and commissioning the room operating panel. To use it, install the plug-in and then register it for the respective network.



You can download the setup for the installation under the following link:

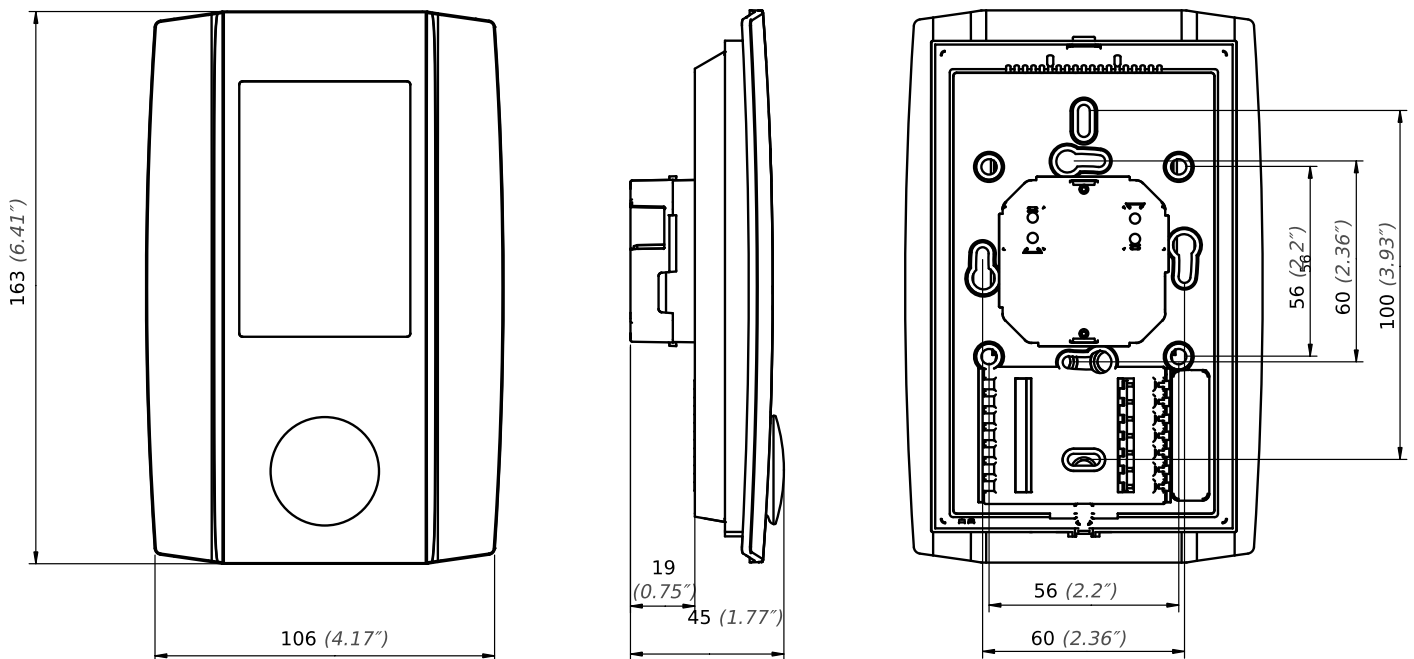
<https://thermokon.de/direct/files/novos-thanos-evo-lon-plugin.zip>

**SpecificationLON:**  
LON-Interface TP/FT-10

A detailed description of the LON variables can be found in our download center:

→ [Download](#)

## » DIMENSIONS IN MM (IN.)



## » ACCESSORIES (OPTIONAL)

Rawplugs and screws (2 pcs. each)

Bluetooth dongle

PSU-UP24 – flush mount power supply 24 V (AC Input: 100..240 V ~ | DC Output 24 V = 0,5 A)

Item No. 102209

Item No. 668262

Item No. 645737