

Stainless Steel immersion pocket kit

Thermowell made of stainless steel with G 1/2" connection. Including probe fixing material for safety temperature limiter 01HT-1..C and temperature monitor 01HT-1..A.



Type Overview

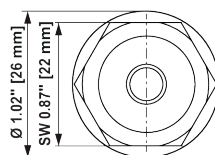
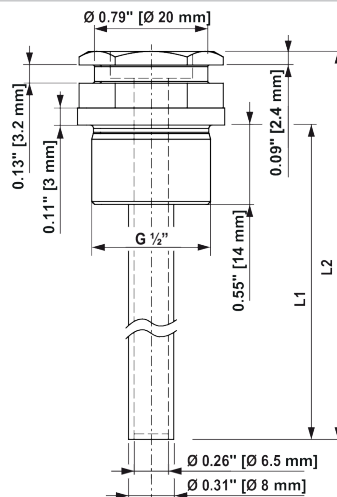
Type	Thermowell length	Thermowell diameter	Max. flow velocity	Weight
A-22P-A64	100 mm	8 mm	8.7 m/s	0.08 kg
A-22P-A65	150 mm	8 mm	5.8 m/s	0.09 kg
A-22P-A66	200 mm	8 mm	4.3 m/s	0.10 kg

Technical Data

Functional data	Application	Water
Materials	Probe material	Stainless steel
	Thermowell material	Turned part: V4A (1.4571) Pipe: V4A (1.4571)
Safety data	Fluid temperature	up to max. 200°C
	Pressure rating	up to max. 70 bar
	EU Conformity	CE Marking
	Quality Standard	ISO 9001

Dimensions

Dimensions



	L1	L2
A-22P-A64	3.94" [100 mm]	4.45" [113 mm]
A-22P-A65	5.91" [150 mm]	6.42" [163 mm]
A-22P-A66	7.87" [200 mm]	8.39" [213 mm]