

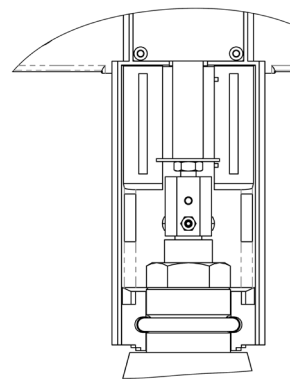
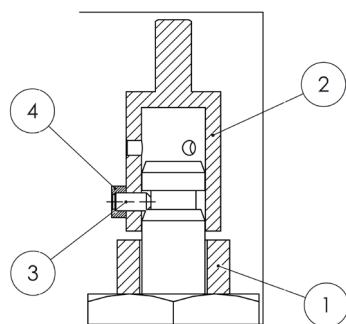
### MOUNTING INSTRUCTIONS

Model	Description
AG70-10	Linkage for Siemens valves with stem $\varnothing$ 10 mm
AG70-14	Linkage for Siemens valves with stem $\varnothing$ 14 mm

**Note:** To choose the correct linkage look at the table on page 2.

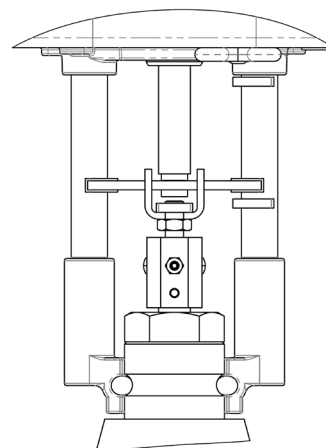
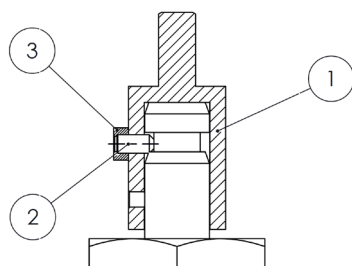
#### AG70-xx MOUNTING with MVH Actuator

- Insert the spacer **(1)** on the valve stem;
- Assemble the extension **(2)** on the valve stem through the three dowels **(3)** and the three nuts **(4)**;  
**ATTENTION:** the extension **(2)** has 6 holes, use the ones indicated in the picture.
- Install the actuator to the valve following the mounting instructions enclosed to the actuators itself;  
**ATTENTION:** the extension must be screwed directly on the rack, so the extension supplied together with the actuator **MUST NOT BE USED**.



#### AG70-xx MOUNTING with MVE Actuator

- Assemble the extension **(1)** on the valve stem through the three dowels **(2)** and the three nuts **(3)**;  
**ATTENTION:** the extension **(2)** has 6 holes, use the ones indicated in the picture.
- The spacer supplied **MUST NOT BE USED** as it is needed just in case of coupling with MVH actuators.
- Couple the actuator to the valve following the mounting instructions enclosed to the actuators itself.



The performances stated in this sheet can be modified without any prior notice.

			From DN...	To DN...	Stroke	MVE	MVH
2-WAY	VVF21	AG70-10	25	80	20	•	•
		AG70-14	100		40	•	•
	VVF31	AG70-10	15	80	20	•	•
		AG70-14	100	150	40	•	•
	VVF40	AG70-10	15	80	20	•	•
		AG70-14	100	150	40	•	•
	VVF41	AG70-14	50		20	•	•
		AG70-14	65	150	40	•	•
	VVF45	AG70-14	50		20	•	•
		AG70-14	65	150	40	•	•
	VVF51	AG70-10	15	40	20	•	•
	VVF52	AG70-10	15	40	20	•	•
	VVF53	AG70-10	15	50	20	•	•
		AG70-10	65	150	40	•	•
	VVF61	AG70-10	15	25	20	•	•
		AG70-14	40	50	20	•	•
AG70-14		65	150	40	•	•	
VVF61_2	AG70-10	15	50	20	•	•	
	AG70-10	65	150	40	•	•	
VVG41	AG70-10	15	50	20	•	•	
VVG11	AG70-10	25	40	20	•	•	
3-WAY	VXF21	AG70-10	25	80	20	•	•
		AG70-14	100		40	•	•
	VXF31	AG70-10	15	80	20	•	•
		AG70-14	100	150	40	•	•
	VXF40	AG70-10	15	80	20	•	•
		AG70-14	100	150	40	•	•
	VXF41	AG70-14	50		20	•	•
		AG70-14	65	150	40	•	•
	VXF45	AG70-14	50		20	•	•
		AG70-14	65	150	40	•	•
	VXF51	AG70-10	15	40	20	•	•
	VXF52	AG70-10	15	40	20	•	•
	VXF53	AG70-10	15	50	20	•	•
		AG70-10	65	150	40	•	•
	VXF61	AG70-10	15	25	20	•	•
		AG70-14	40	50	20	•	•
AG70-14		65	150	40	•	•	
VXF61_2	AG70-10	15	50	20	•	•	
	AG70-10	65	150	40	•	•	
VXG41	AG70-10	15	50	20	•	•	
VXG11	AG70-10	25	40	20	•	•	