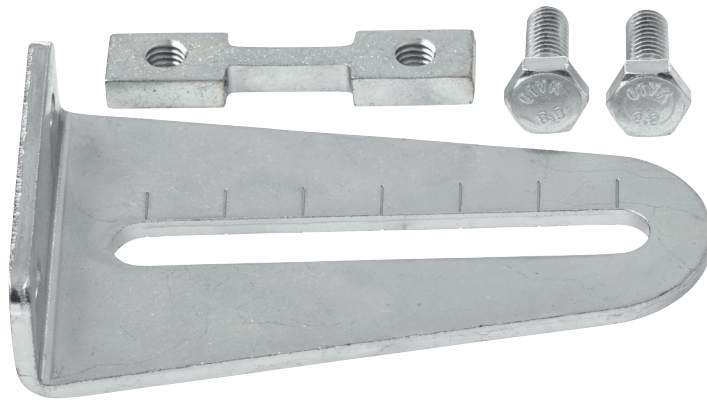


Actuator arm

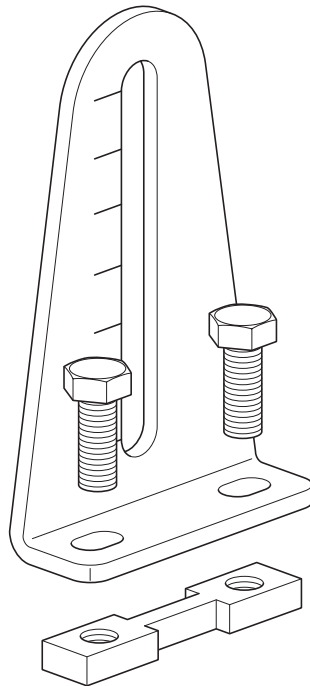
- for standard spindle clamp (one sided)
- Slot width 8.2 mm

**Technical data**

Weight	Weight	0.112 kg
	Packaging size	Single-pack

Product features

Used materials	Galvanised steel
Application	Suitable for LMQ..A, NKQ..A, NM..A, NMC..A, NMQ..A, SMD..A



Dimensions [mm]

Dimensional drawings

