

MODEL	DESCRIPTION
AS206	Room thermostat for heating
AS207	Room thermostat for heating with switch for S/W changeover



AS206



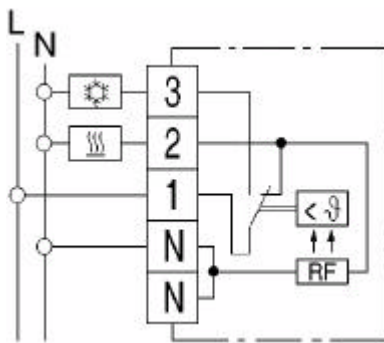
AS207

MANUFACTURING CHARACTERISTICS

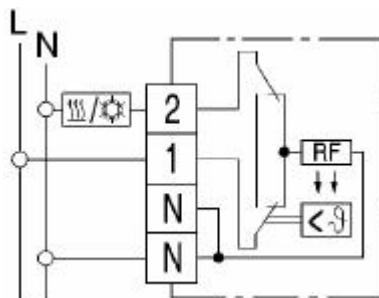
AS206 and AS207 thermostats are composed of a white ABS cover and a base containing the electronic board and terminals. Bimetal technology with thermal feedback which improves the steadiness and the accuracy. Range limitation inside setting knob.

ELECTRICAL CONNECTIONS

Remove the cover to operate on the terminal board. Make connections according to the diagrams below and in compliance with the standards in force. Connect the phase to the terminal 1, connect the load to the terminal 2 for AS207 or to terminals 2 and 3 (heat and cool) for AS206 and if necessary the RF thermal feedback (terminal N) to neutral. Use 1 mm² min. section wires.



AS206



AS207

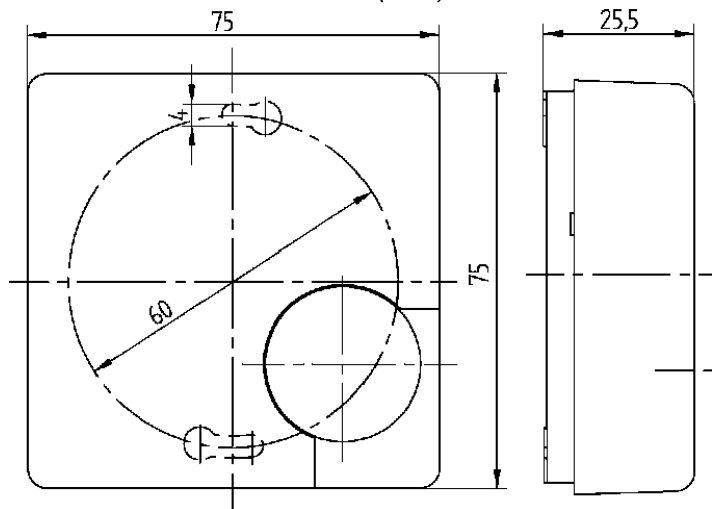
INSTALLATION AND START-UP

Mount the thermostat at about 1.5 m. from the floor level, in an area which reflects the average room temperature. Avoid installation in air stagnation zones, near doors, windows or heat sources. Fix the equipment on wall with the screws through the holes on the base (see overall dimensions), accessed by extracting the knob and the screw which lies under it.

TECHNICAL CHARACTERISTICS

- Power supply 230 V~ 50-60 Hz
- Control range 5T30 °C
- Contacts 1 SPDT contact
- Changeover current
 - heating 10 mA - 10 (4) / DC30 W
 - cooling 10 mA - 5 (2)
- Hysteresis about 0,5 K
- Mounting on wall
- Protection degree IP 30 insulated (DIN 40050)
- Knob with operating range limitation.

OVERALL DIMENSIONS (mm)



The performances stated in this sheet can be modified without any prior notice due to design improvements.