

OpenAir™

Accessories and Spare Parts for Air Damper Actuators

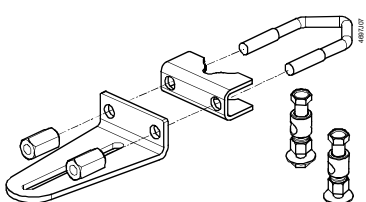
ASC... ASK...

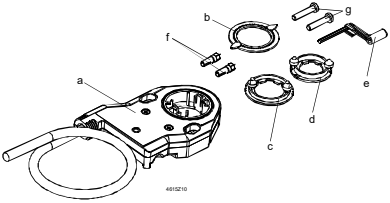
Overview, functions and applications for GMA and GEB

This overview provides a list of the accessories to functionally enhance the GMA and GEB air damper actuators as well as a list of the spare parts for the actuators.

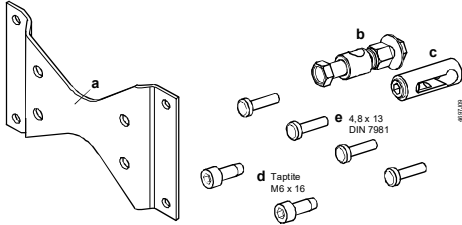
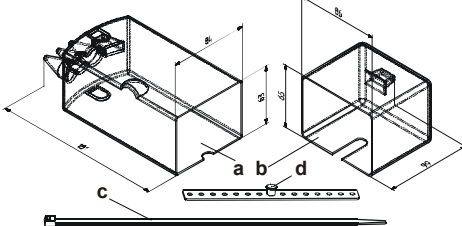
Application examples and important dimensions are contained in the respective mounting installations (see document no.).

Accessories for rotary actuators

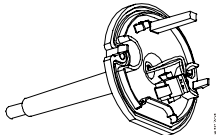
Type Document no. (Classific. no.)	Designation / Delivery	Application	
		Actuator	Function
ASK71.9 7431902360 (M4614.1)	Universal lever 	GMA...1 GEB...1	<ul style="list-style-type: none"> To convert linear movement to rotary movement, for mounting on an adjacent acuator shaft Can be used in connection with ASK71.11, ASK71.13 and ASK71.14 Ball joints for push rod of 8 mm diameter

Type Document no. (Classific. no.)	Designation / Delivery	Application	
		Actuator	Function
ASC77.1E ASC77.2E 7431904130 (M4615)	External auxiliary switches 	GMA...1 GEB...1	<ul style="list-style-type: none"> ASC77.1E (1 switch) ASC77.2E (2 switches)

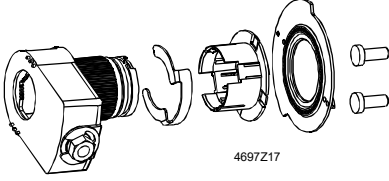
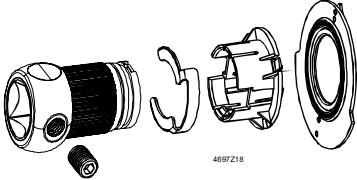
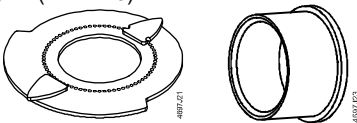
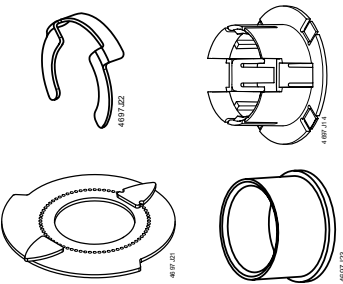
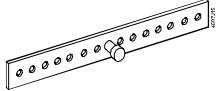
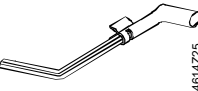
Accessories for linear actuators

Type Document no. (Classific. no.)	Designation / Delivery	Application	
		Actuator	Function
ASK72.3 7431902420 (M4653.1)	Linear/rotary set with mounting plate 	GEB...2	<ul style="list-style-type: none"> To convert linear movement into rotary movement Mounting the actuator on the mounting plate allows for actuator-side frame or duct mounting Linear limitation by adjusting the clamp on the push rod Ball joints for push rod of 8 mm diameter
ASK75.6 7431906630 (M4614.8)	Weather shield for linear actuator 		<ul style="list-style-type: none"> Provides additional protection to linear actuator and when mounting in any given position

Actuators for fire and smoke protection dampers

Type Document no. (Classific. no.)	Designation / Delivery	Application	
		Actuator	Function
ASK79.4 ASK79.5 7431908350 (M4610)	Duct tip for temperature monitoring unit 	GNA..	<ul style="list-style-type: none"> ASK79.4 (72 °C) ASK79.5 (95 °C)

Spare parts for rotary actuators

Spare part no.	Designation / Delivery	Application	
		Actuator	Function
ASK74.12 (S55859-Z103)	Standard shaft adapter compl. 	GMA...1 GEB...1	This shaft adapter is <ul style="list-style-type: none"> • self-centering • suitable for shafts of 6.4...20.5 mm diameter
ASK74.13 (S55859-Z104)	Shaft adapter square compl. 		15 mm
ASK74.14 (S55859-Z105)			12 mm
ASK74.15 (S55859-Z106)			10 mm
ASK74.16 (S55859-Z107)			8 mm
ASK74.22 (S55859-Z113)	Accessory kit (set of 10) 		Consisting of: <ul style="list-style-type: none"> • Position indicator It is clamped on the shaft adapter or the plastic adapter and indicates the air damper rotational angle of the air damper. • Plug indicator Fixes the position indicator onto the plastic adapter.
ASK71.01 (S55859-Z101)	Accessory kit (set of 10) 		Consisting of: <ul style="list-style-type: none"> • Axial bracket Fixes axle adapter in the actuator. • Plastic adapter with position indicator Required on short damper shafts (< 20 mm). It is inserted into the shaft adapter and carries the position indicator. • Position indicator It is clamped on the shaft adapter or the plastic adapter and indicates the air damper rotational angle of the air damper. • Plug indicator Fixes the position indicator onto the plastic adapter.
ASK71.07 (S55859-Z118)	Mounting bracket compl., bendable (set of 10) 		The mounting bracket is used to prevent the actuator from twisting and is secured with 2 steel screws (4.8 x 13 mm, DIN 7981).
ASK71.20 (S55859-Z122)	Turnkey for manual adjustment (set of 10) 	GMA...1	Turnkey for the manual adjustment of the shaft adapter.

Issued by
Siemens Switzerland Ltd
Building Technologies Division
International Headquarters
Theilerstrasse 1a
6300 Zug
Switzerland
Tel. +41 58-724 24 24
www.siemens.com/buildingtechnologies

© Siemens Switzerland Ltd, 2015
Technical specifications and availability subject to change without notice.