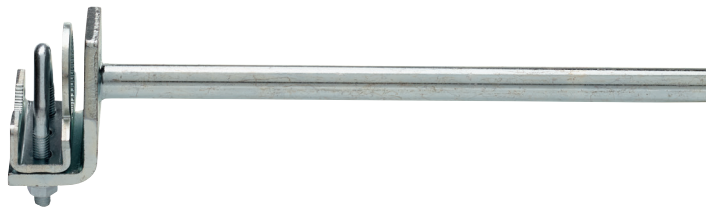


Shaft extension 170 mm

- Length ca. 170 mm
- for damper spindles \varnothing 6...16 mm
- shaft extension \varnothing 10 mm

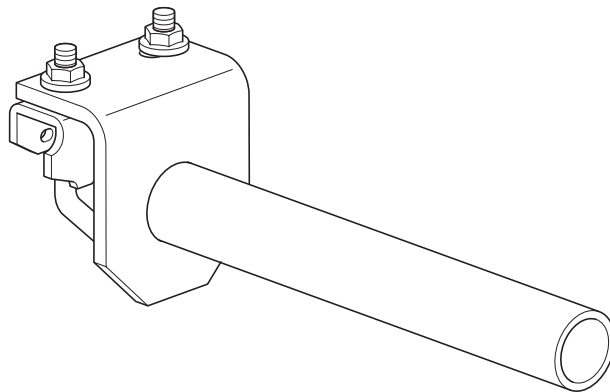


Technical data

| | | |
|---------------|----------------|-------------|
| Weight | Weight | 0.19 kg |
| | Packaging size | Single-pack |

Product features

| | |
|-----------------------|---|
| Used materials | Galvanised steel |
| Application | Suitable for CM..., LF..., LM..A, LMC..A, TF..., TMC..A |



Dimensions [mm]

Dimensional drawings

