

MODEL	DESCRIPTION
AX536	Room thermostat for air-conditioning with digital display, 24 Vac power supply
AX537	Room thermostat for air-conditioning with digital display, 3 fan speed, 24 Vac power supply



AX536



AX537

APPLICATION AND USE

The AX530 room thermostats are used in Air Handling Units (modulating valves for water) and in air duct systems (damper actuators).

MANUFACTURING CHARACTERISTICS

The AX530 thermostats are composed of a white ABS housing and a base containing the electronic card and terminal board. The output power control is carried out through TRIAC.

INSTALLATION AND START-UP

Mount the device at approximately 1.5 m from the floor in a zone reflecting the room average temperature.

Avoid mounting in air stagnation areas, near doors, windows and heat sources.

Screw the apparel on wall through the two holes on the base (see overall dimensions) accessible by removing the cover.

Push simultaneously the + and - keys to set the dead zone.

ELECTRICAL CONNECTIONS

The terminal board can be accessed by removing the cover. Perform the wiring according to the following diagrams and in compliance with existing standards. Use cables having 1 mm² minimum cross section.

TECHNICAL CHARACTERISTICS

Power supply	24 V~ 50 - 60 Hz (terminals L1=1 - L2=4)
Range	5T30 °C
Control	2 outputs 0...10 V-, 3mA (1 output on terminal 3, 1 output on terminal 2) + 1 On/off output for electric heater (terminal 6)
Max load	3 mA
Power Consumption max.	3(2)A terminal output 6
Max. contact capacity	6(3)A terminal output 20-21-22 (AX537 only)
Proportional band	1,5 K fixed
Dead zone	0,5 .. 7,5 K adjustable
Sensing element	internal NTC
Mounting	on wall
Protection degree	IP 30 insulated (DIN 40050)

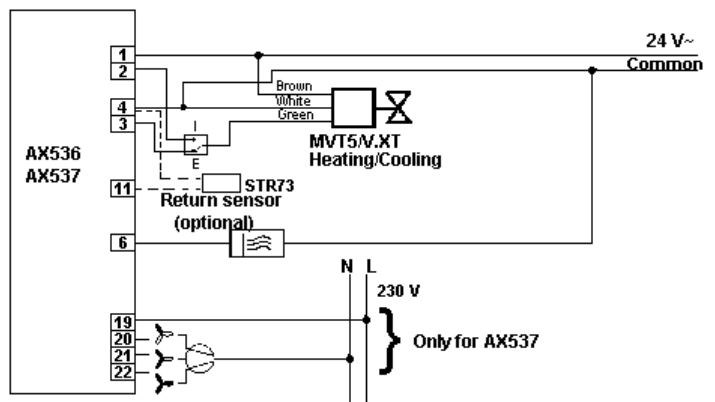
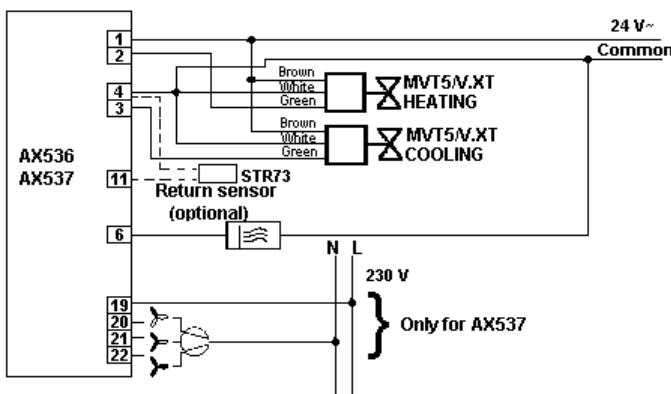
STR73 remote sensor (terminals 4 and 11)

4 m. double-pole cable Ø 7.9 mm.

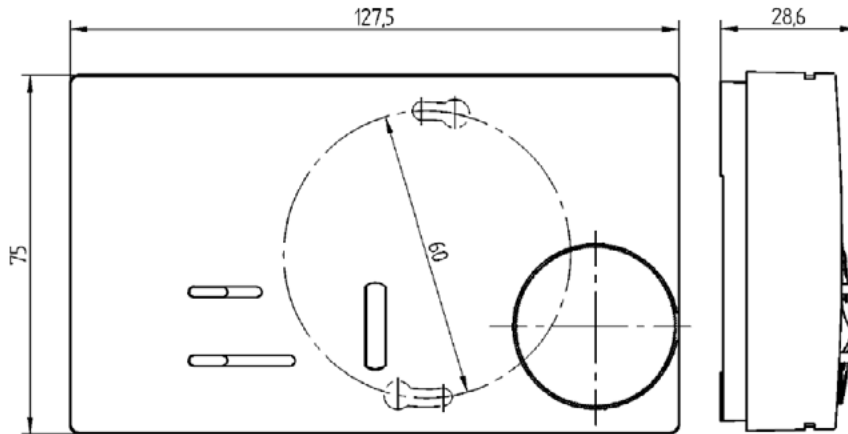
Max cable length 50 m.

Protection degree IP67

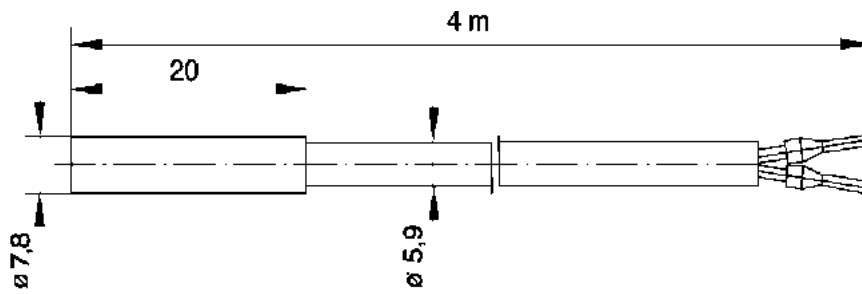
Product conforms to EMC 89/336 directive according to the below-mentioned standards:
for emission EN 50081-1 for immunity EN 50082-1



OVERALL DIMENSIONS (mm)



AX536-AX537



STR73

The performances stated in this sheet can be modified without any prior notice due to design improvements