

GREYSTONE ENERGY SYSTEMS INC

CARBON DIOXIDE, TEMPERATURE & HUMIDITY DETECTORS CDD5 Series



Space w/Setpoint,
Override & LCD



Space w/ No Options

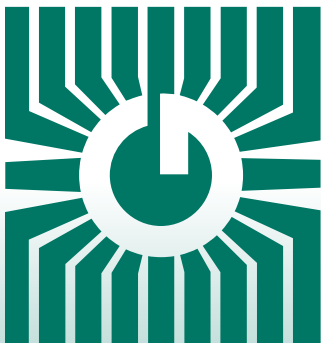


Duct

Precision carbon dioxide control/sensing

FEATURES:

- Space or Duct Models
- 2 Available Ranges
- CO₂, Temperature & Humidity Outputs
- Optional Slidepot and/or Override
- Optional On-board Relay
- Optional LCD Display
- Custom Logos Available



*Peace of mind
through reliable
gas monitoring*

GREYSTONE HAS AN **ISO 9001** REGISTERED QUALITY SYSTEM

CO₂, TEMPERATURE & HUMIDITY DETECTOR

SPECIFICATIONS:

General Specifications:

Power Supply
Output Signals

20-28 Vac/dc (non-isolated half-wave rectified)
Current 4-20mA (Model CDD5A & C) or
Voltage 0-5 Vdc or 0-10 Vdc (Model CDD5B & D)
Current: 145 mA max @ 24Vdc, 260 mA max @24 Vac (with all options)
Voltage: 85 mA max @ 24Vdc, 150 mA max @ 24 Vac (with all options)

Consumption

Current: 550 ohms max **Voltage:** 10 Kohm min
10 bit PWM
Reverse voltage protected and output limited
0°-50°C (32°-122°F), 0-95% RH non-condensing.

Output Drive Capability
Output Resolution
Protection Circuitry
Operation Conditions
Sensor Coverage Area
Wiring Connections
External Dimensions

100 m² (1000 ft²) typical
Screw terminal block (14 to 22 AWG)
Space: 84mm W x 119mm H x 29mm D (3.3" x 4.7" x 1.15")
Duct: 145mm W x 100mm H x 63mm D (5.7" x 3.95" x 2.5")
Duct Probe: 177mm (7") long x 25.4mm (1") diameter
Space: IP30 (NEMA 1)
Duct: IP65 (NEMA 4X)

Enclosure Ratings

CO₂ Specifications:

Measurement Type

CDD5A & B: Non-Dispersive Infrared (NDIR), diffusion sampling
CDD5C & D: Dual Channel Non-Dispersive Infrared (NDIR), diffusion sampling

Measurement Range

CDD5A & B: 0 - 2000 ppm
CDD5C & D: 0 - 20,000 ppm, programmable span from 2000 to 20,000 ppm

Standard Accuracy

CDD5A & B: ±30 PPM + 3% of reading with Auto Cal on
CDD5C & D: ±75 PPM or 10% of reading (whichever is greater)

Temperature Dependence
Stability

0.2% FS per °C
CDD5A & B: < 2 % FS over life of sensor (15 years typical)
CDD5C & D: < 5 % FS over life of sensor (15 years typical)

Pressure Dependence
Altitude Correction
Response Time
Warm-up Time

0.13% of reading per mm Hg
Programmable from 0-5000 ft via keypad
<2 minutes for 90% step change typical
<2 minutes

Temperature Specifications:

Sensing Element
Range

10K thermistor, ±0.2°C (±0.2 °C)
0° to 35°C (32° to 95°F) or 0° to 50°C (32° to 122°F) selectable via keypad

Humidity Specifications:

Sensing Element
Accuracy
Range
Hysteresis
Response Time
Stability

Thermoset polymer based capacitive
± 2% RH
0 - 100% RH, non-condensing
± 3% RH
15 seconds typical
± 1.2% RH typical @ 50% RH in 5 years

LCD Display:

Resolution
Size
Backlight

1 ppm CO₂, 1% RH, 1°C (1°F)
1.4" w x 0.6" h (35 mm x 15 mm) alpha-numeric 2 line x 8 character
Enable or disable via keypad

Optional Setpoint Adjustment

Type
Range
Custom spans available

Front panel slidepot, 2 wire resistance output
0K to 10K Ω standard
1K, 2K, 5K, 10K or 20K Ω

Optional Manual Override

Type
Ratings

Front panel, momentary pushbutton
50 mA @12 Vdc, N.O., SPST

Optional Relay Output:

Contact Ratings
Relay Trip Point

Form A contact (N.O.), 2 Amps @ 140 Vac, 2 Amps @ 30 Vdc

Relay Hysteresis

CDD5A & B: Programmable 500-2000 ppm via keypad
CDD5C & D: Programmable 500-15,000 ppm via keypad
CDD5A & B: Programmable 25-200 ppm via keypad
CDD5C & D: Programmable 25-500 ppm via keypad

CO₂, TEMPERATURE & HUMIDITY DETECTOR

FEATURES:

- Menu driven set-up
- 0-2000 or 0-20,000 ppm CO₂ ranges
- Patented self-calibration algorithm
- Guaranteed 5 year calibration interval
- Temperature & Humidity Outputs
- Easily field calibrated
- Accepts AC/DC power

OPTIONS:

- LCD
- Slidepot
- Override Switch
- Control relay
- Custom Logos

PRODUCT ORDERING INFORMATION:

MODEL	Description
CDD5A	Carbon Dioxide Detector (CO ₂), 0-2000 ppm, Temperature & Humidity sensor w/4-20 mA Outputs
CDD5B	Carbon Dioxide Detector (CO ₂), 0-2000 ppm, Temperature & Humidity sensor w/ 0-10 Vdc or 0-5 Vdc outputs
CDD5C	Carbon Dioxide Detector (CO ₂), 0-20,000 ppm, Temperature & Humidity sensor w/4-20 mA Outputs
CDD5D	Carbon Dioxide Detector (CO ₂), 0-20,000 ppm, Temperature & Humidity sensor w/ 0-10 Vdc or 0-5 Vdc outputs

CODE	Enclosure
10	Space
20	Duct

CODE	LCD Display
0	Concealed
1	Viewable

CODE	Setpoint Adjustment (Available on Space only)
-	No Setpoint Adjustment
P	0-10K linear slide pot for set point control (Other ranges available, contact Greystone)

CODE	Momentary Override (Available on Space only)
-	No Override
S	Front panel push button momentary switch (NO)

CODE	Relay Output
-	No Relay
R	Relay

CDD5A	10	1	P	S	-	← Typical Model Number
-------	----	---	---	---	---	------------------------

Example: Space CO₂, 0-2000 ppm, Temperature & RH, 4-20 mA, w/ LCD, Setpoint Adjustment, & Override Switch

Greystone Energy Systems Inc. reserves the right to make design modifications without prior notice.

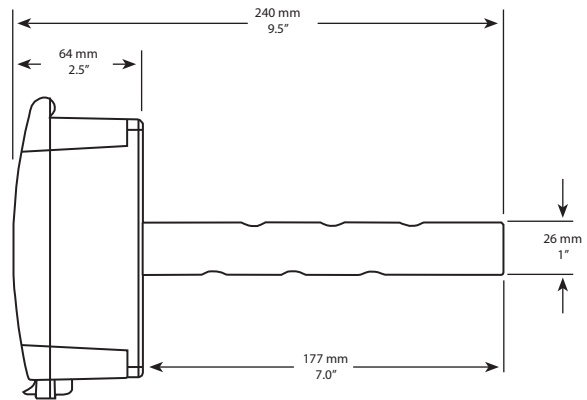
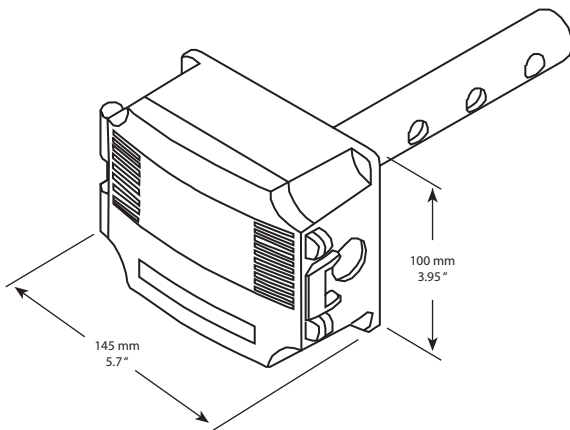
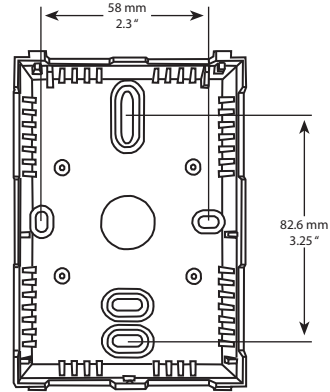
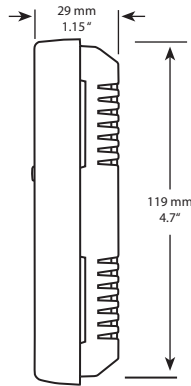
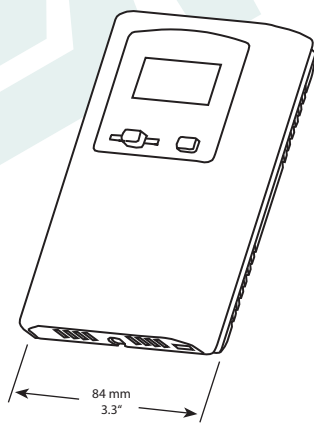
ACLP SOFTWARE

ACLP (Automatic Calibration Logic Program) software utilizes the computing power in the sensor's on-board microprocessor to remember the lowest CO₂ concentration that takes place every 24 hours. The sensor assumes this low point is at outside levels. The sensor is also smart enough to discount periodic elevated readings that might occur if for example a space was used 24 hours per day over a few days. Once the sensor has collected 14 days worth of low concentration points, it performs a statistical analysis to see if there has been any small changes in the sensor reading over background levels that could be attributable to sensor drift. If the analysis concludes there is drift, a small correction factor is made to the sensor calibration to adjust for this change.

5-YEAR CALIBRATION GUARANTEE

Based on the results of years of testing of ACLP software, Greystone now offers a 5-year calibration guarantee on all its CDD series wall and duct mount sensors used for CO₂ based ventilation control when operated in an environment that can utilize ACLP software. If the sensor is found to be out of calibration more than 150 PPM as compared to a calibration gas or recently calibrated reference, Greystone will provide a free factory calibration of the sensor if returned to Greystone. This guarantee only applies if the sensor is operated in an environment where inside levels periodically drop to outside concentrations (i.e. during evenings or weekends when there is no occupancy) as is required by ACLP software. If a space does not experience a periodic drop to outside levels (i.e. where occupancy is 24 hours, 7 days/week), ACLP software should be deactivated. With ACLP deactivated (via menu buttons), calibration may be required every 2 to 3 years.

DIMENSIONS:



Greystone Energy Systems Inc. is one of North America's largest ISO registered manufacturers of HVAC/R sensors and transmitters for Building Automation Management Systems.

We have conscientiously established a worldwide reputation as an industry leader by maintaining leading-edge design technology, prompt technical support, and a commitment to on-time deliveries. We take pride in our Quality Management System which is ISO 9001 certified, assuring our customers of consistent product reliability.

GREYSTONE HAS AN **ISO 9001** REGISTERED QUALITY SYSTEM