

Damper actuator for module SKM230-T-B12 for adjusting dampers in technical building installations

- Air damper size up to approx. 0.4 m²
- Torque motor 2 Nm
- Nominal voltage DC 24 V
- Control Open/close via module SKM230-T-B12
- Power off reserve function
- Mechanical interface Universal shaft clamp 6...12.7 mm


Technical data

Electrical data	Nominal voltage	DC 24 V	
	Nominal voltage range	DC 19.2...28.8 V	
	Power consumption in operation	0.5 W	
	Power consumption in rest position	0.2 W	
	Power consumption in rest position note	0 W when power off / position closed	
	Power consumption for wire sizing	1 VA	
	Connection supply / control	Terminals 1.5 mm ² Cu wire or 1.0 mm ² Cu strands (3-wire)	
	Actuator - module connection	Cu wire: min 0.5 mm ² , max 1.5 mm ² Cu strand: min. 0.5 mm ² , max. 1.0 mm ² Length max. 200 m	
	Functional data	Torque motor	2 Nm
		Direction of motion motor	clockwise rotation
Manual override		with magnet	
Angle of rotation		95°	
Angle of rotation note		can be limited on both sides with adjustable mechanical end stops	
Running time motor		75 s / 90°	
Running time fail-safe		15 s / 90°	
Sound power level, motor		35 dB(A)	
Sound power level, fail-safe		55 dB(A)	
Mechanical interface		Universal shaft clamp 6...12.7 mm	
Safety	Position indication	Mechanically, pluggable (accessory part Z-PICM)	
	Service life	Min. 60'000 fail-safe positions à 95°	
	Protection class IEC/EN	III Safety Extra-Low Voltage (SELV)	
	Degree of protection IEC/EN	IP20	
	EMC	CE according to 2014/30/EU	
	Certification IEC/EN	IEC/EN 60730-1 and IEC/EN 60730-2-14	
	Mode of operation	Type 1	
	Rated impulse voltage supply / control	0.8 kV	
	Control pollution degree	2	
	Ambient temperature	-30...50 °C	
Weight	Storage temperature	-40...80 °C	
	Ambient humidity	Max. 95% r.H., non-condensing	
	Servicing	maintenance-free	
	Weight	0.17 kg	

Safety notes



- The device must not be used outside the specified field of application, especially not in aircraft or in any other airborne means of transport.
- Outdoor application: only possible in case that no (sea) water, snow, ice, insolation or aggressive gases interfere directly with the actuator and that is ensured that the ambient conditions remain at any time within the thresholds according to the data sheet.
- Only authorised specialists may carry out installation. All applicable legal or institutional installation regulations must be complied during installation.
- The mechanical end stops for limiting the angle of rotation may only be removed for adjustment. They must always be mounted during operation and a maximum angle of rotation of 95° must be maintained.
- The device may only be opened at the manufacturer's site. It does not contain any parts that can be replaced or repaired by the user.
- To calculate the torque required, the specifications supplied by the damper manufacturers concerning the cross-section, the design, the installation site and the ventilation conditions must be observed.
- The device contains electrical and electronic components and must not be disposed of as household refuse. All locally valid regulations and requirements must be observed.

Product features

Simple direct mounting	The actuator is mounted directly on the damper shaft (∅ 6...12.7 mm) with a universal shaft clamp and can be optionally secured with the Z-ARCM anti-rotation clip to prevent it from rotating ("see Accessories").
Manual override	Manual override with magnet possible (gear disengagement as long as the magnet adheres to the magnet symbol). The Z-MA magnet for the gear disengagement is enclosed.
Adjustable angle of rotation	Adjustable angle of rotation with mechanical end stops.
High functional reliability	The actuator is overload protected, requires no limit switches and automatically stops when the end stop is reached.

Accessories

	Description	Type
Mechanical accessories	Anti-rotation clip,	Z-ARCM
	Gear disengagement magnet,	Z-MA
	Position indicator,	Z-PICM
	End stop clips,	Z-ESCM
	Shaft extension 170 mm ∅10 mm for damper shaft ∅ 6...16 mm	AV6-20

Electrical installation

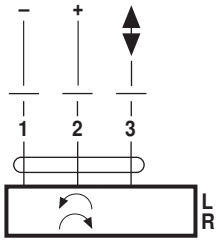


- Notes**
- Connection via module SKM230-T-B12

Electrical installation

Wiring diagrams

DC 24 V, SKM230-T-B12

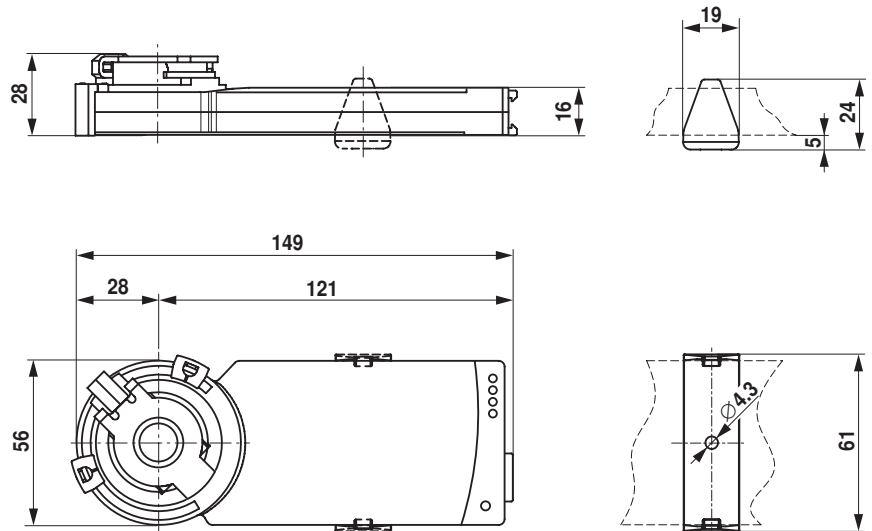


Dimensions [mm]

Spindle length

	Min. 32
	-

Dimensional drawings



Clamping range

6...12.7	6 / 8 / 10	6...12.7