

Positioners suitable for use with the modulating damper actuators CM24-SR and ..M24A-SR or ..M230ASR


**Technical data**

<b>Electrical data</b>	Nominal voltage	AC 24V 50/60 Hz / DC 24V
	Dimensioning	0.7 VA, without actuators
	Power supply range	AC/DC 19.2 ... 28.8V
	Connections	Terminal block 1 ... 3: 2.5 mm <sup>2</sup> Terminal block 4 ... 8: 1.5 mm <sup>2</sup>
<b>Functional data</b>	Operation	
	– Rotary knob for setpoint adjustment	0 ... 100%
	Communication connection for field devices	2 x PP (for PC-Tool, ZTH-GEN, etc.)
<b>Input</b>	1 x digital	
	– Digital input	Contact rating 10 mA
<b>Output</b>	1x analogue	
	– Control signal Y	0/2 ... 10V, max. 1 mA
<b>Norms and Standards</b>	Protection class	<b>III</b> Safety extra-low voltage
	Degree of protection	IP30 (EN 60529)
	Mode of operation	Type 1 (EN60730-1)
	EMC	CE in accordance with 2004/108/EC
	Ambient conditions	
	– Operation	0 ... +50 °C / 20 ... 90% r.h. (non-condensating)
– Transport and storage	–25 ... +70 °C / 20 ... 90% r.h. (non-condensating)	
<b>Dimensions / Weight</b>	Dimensions (H x W x D)	99 x 84 x 32 mm
	Weight	105 g
<b>Housing colours</b>	Baseplate	NCS2005-R80B light grey (corresponds approximately to RAL 7035)
	Cover	RAL9003 signal white

**Safety notes**

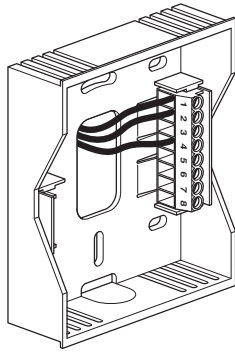

- **The controller is not allowed to be used outside the specified field of application, especially not in aircraft or in any other airborne means of transport.**
- **It may only be installed by suitably trained personnel. Any legal regulations or regulations issued by authorities must be observed during Installation.**
- **The device does not contain any parts that can be replaced or repaired by the user.**
- **The device contains electrical and electronic components and is not allowed to be disposed of as household refuse. All locally valid regulations and requirements must be observed.**

**Product features**

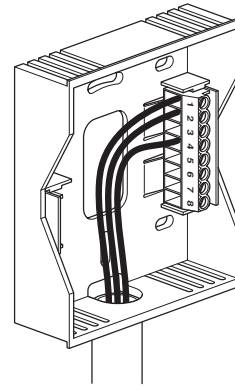
<b>Application</b>	The positioner is used for the control of modulating damper actuators. It can also be used as a minimum positioner or together with temperature controllers for shifting setpoints.
<b>Large range</b>	The adjustment range is 0 ... 100%. Proportionate to the position of the rotary knob, a control signal Y is generated which is either DC 2 ... 10 V or DC 0 ... 10 V or a position change occurs at the actuator within the range of 0 ... 100% (Min ... Max).
<b>Simple conversion</b>	The changeover from DC 2 ... 10 V to DC 0 ... 10 V is simple to accomplish by means of a slide switch under the front cover.

Electrical installation

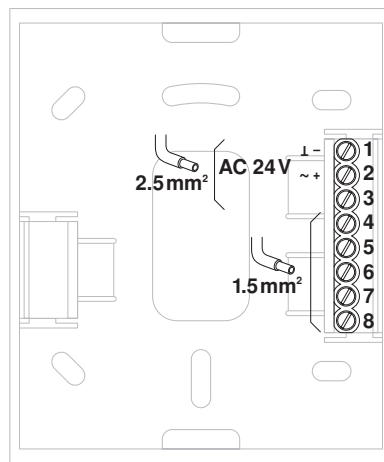
Flush-mounted connection



Surface-mounted connection



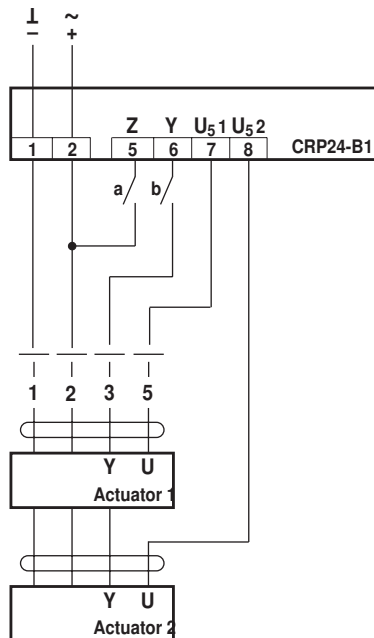
Terminal connection 1 ... 8



Wiring diagrams

Information

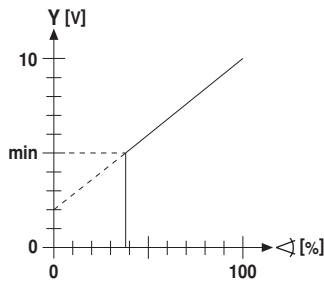
- Connection via safety isolating transformer.
- Parallel connection of other actuators possible. Pay attention to the power data.



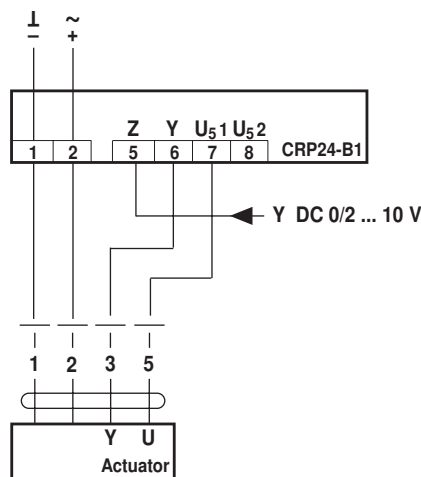
a	b	Y
		0%
		0 ... 100%
		0%
		100%

Electrical installation

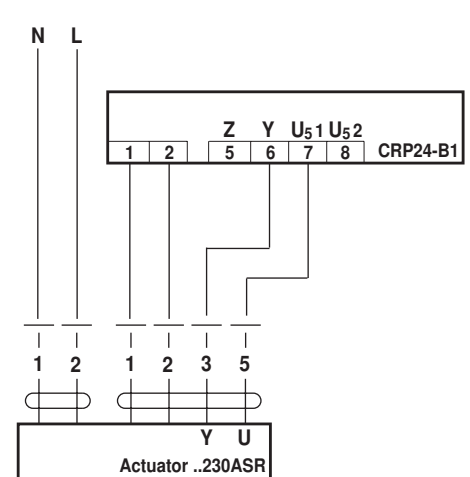
(Continued)



Minimum limit



Connection to ..M230ASR



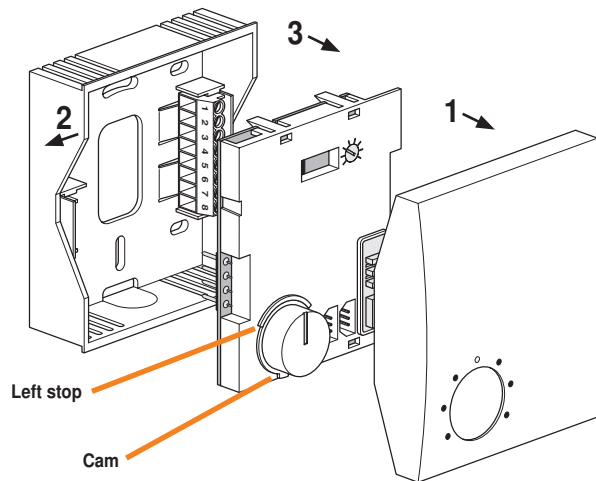
Mechanical installation

1. Remove the housing cover.
2. Pull out slightly the wall of the housing to release the pcb.
3. Remove the PCB.

Rotary knob for setpoint adjustment

If the rotary knob has been removed proceed as follows:

- a. Insert the rotary knob approximately half way and turn it clockwise as far as the stop.
- b. Remove the knob and align it so that the cam is flush with the left stop (see left).
- c. Insert the knob fully.



Dimensions [mm]

