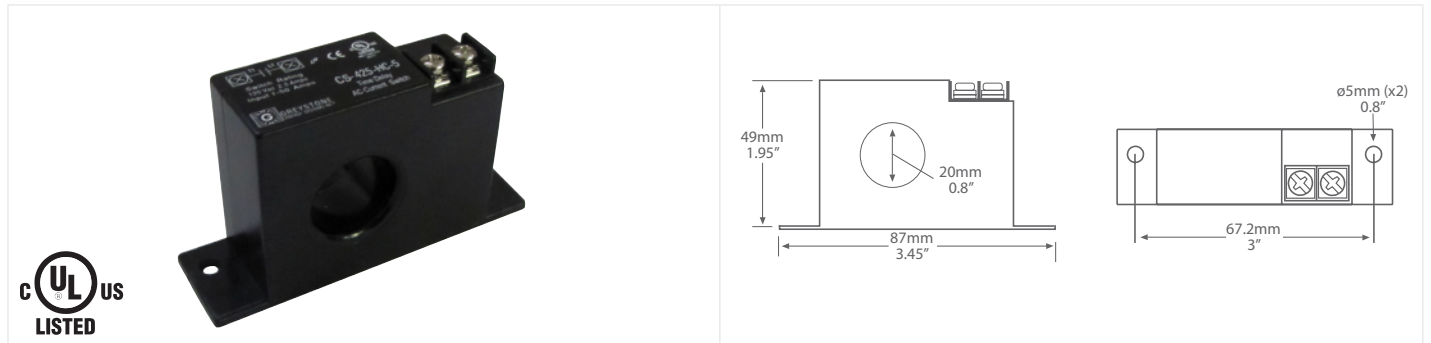




AC CURRENT SWITCHES HIGH OUTPUT WITH TIME DELAY



CS-425-HC

PRODUCT DESCRIPTION

The CS-425-HC products are solid-state current switches with N.O. triac outputs to control high-current line-voltage AC loads. All models have a factory set trip level of approximately 1 Amp and require no field adjustment for easy installation. Internal circuits are powered by induction from the line being monitored and all models are cULu certified.

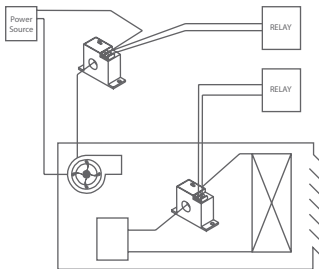
The CS-425-HC series can operate a dryer booster fan directly. These devices sense when a clothes dryer is drawing 1 Amp of current and then closes the output switch to activate the dryer vent booster fan. When the dryer cycle is complete and the current drops below the threshold, the output switch will remain closed for a pre-set delay time to allow heat to be removed from the vent before the switch is opened again. The device output can switch 120 Vac loads up to 2.5 Amps.

SPECIFICATIONS

MAXIMUM CORE CURRENT	50 Amps
OPERATING TEMPERATURE	0 to 40°C (32 to 104°F)
TRIP SET-POINT	Approximately 1 Amps
ENCLOSURE SIZE	49mm H 87mm W x 25mm D (1.95" x 3.45" x 1")
AC CONDUCTOR HOLE	20mm (0.8") diameter
SWITCH RATING	120 Vac @ 2.5 Amps maximum
SWITCH TYPE	Solid-state triac
OFF-STATE LEAKAGE	<1 mA
TURN ON TIME / TURN OFF TIME	<200 mS 0, 5, 10 or 15 minutes
OPERATING HUMIDITY	0 to 95 %RH non-condensing
MATERIAL	ABS, UL94-V0, Insulation class 600V
MOUNTING HOLES	2 x 5 mm holes spaced 76mm on base (2 x 0.19" holes spaced 3" on base)
AGENCY APPROVALS	cULus listed

TYPICAL INSTALLATION

For complete installation and wiring details, please refer to the product installation instructions.



ORDERING

PRODUCT	CS-425-HC-	AC Current Switches High Output
TIME DELAY	0 5 10 15	None 5 minutes 10 minutes 15 minutes

PART NUMBER

CS-425-HC-

NOTE: Greystone Energy Systems, Inc. reserves the right to make design modifications without prior notice.