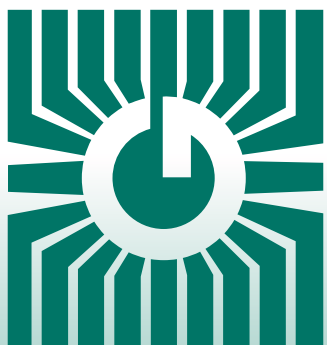


GREYSTONE

ENERGY SYSTEMS INC



CURRENT SWITCH CS Series



Precision power control/sensing

FEATURES:

- Solid Core
- Go/No Go or Field adjustable models
- Adjustable setpoint (CS-610-200) potentiometer
- Up to 200 amps input current
- Self-powered
- Add-on Command relay option

*Peace of mind
through reliable
current monitoring*

GREYSTONE HAS AN **ISO 9001** REGISTERED QUALITY SYSTEM

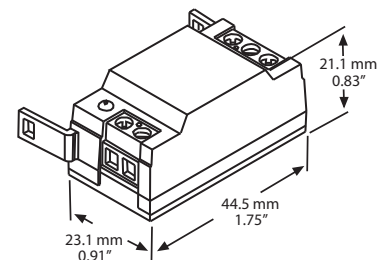
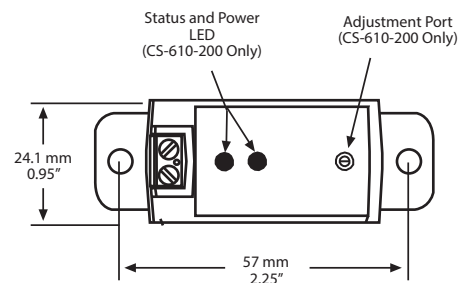
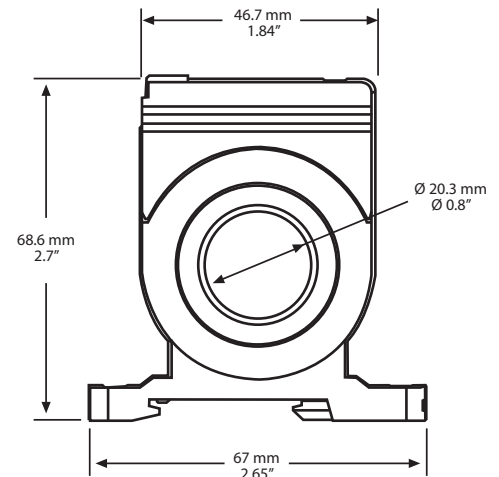
DESCRIPTION:

The CS series current switch monitors line current for electrical loads such as pumps, conveyors, lighting, heating or fan and closes the output contacts when the trip point is exceeded. The CS-GnG-200 has a factory set trip point of 0.75 Amps to provide Go/No Go status operation. The CS-610-75 has a trip setpoint that is adjustable between 1 to 200 Amps by rotating the adjustment potentiometer.

The sensor requires no external power as it is totally powered by induction from the AC line being monitored. The switch output is normally open and when the input current exceeds the trip setpoint, the switch closes to provide an on/off digital signal to the controller.

SPECIFICATION:

Current Setpoint	Fixed at 0.75 Amps (CS-GnG-200) 1 to 200 Amps (CS-610-200)
Maximum Input Current	200 Amps continuous
Sensor Power	Self-powered
Output Type	Solid-state mosfet
Output Switch Action	Normally open
Output Switch Ratings	30 Vac/dc, 500 mA Max.
Indication	Power and Status LED (CS-610-200 Only)
Von @ 24 Vdc at 500mA	< 50 mV
Frequency	50/60 Hz
Response Time	200 mS Typical
Insulation Class	600 Vac, insulated conductors
Operating Temperature	-15 to 60 °C (5 to 140 °F) - (CS-GnG-200) -15 to 50 °C (5 to 122 °F) - (CS-610-200)
Operating Humidity	5 to 90% RH non-condensing
Terminal Block	14 to 22 AWG
Dimensions	68.6 x 67 x 24.9 mm (2.7 x 2.65 x 0.95 in)
Sensor Aperture	0.8 in (20.3 mm)
Enclosure Material	ABS/PC, UL94 V-0
Agency Approvals	cULus listed



ORDER INFORMATION:

CS-GnG-200	Go/No Go
CS-610-200	Adjustable

ACCESSORIES: CSR Series Command Relay

(See CSR brochure for complete specifications)
(Order separately)

CSR-112	12 Vdc
CSR-124	24 Vac/dc



GREYSTONE
ENERGY SYSTEMS INC

Greystone Energy Systems Inc.
150 English Drive, Moncton



Greystone Energy Systems Inc. is one of North America's largest ISO registered manufacturers of HVAC/R sensors and transmitters for Building Automation Management Systems.

We have conscientiously established a worldwide reputation as an industry leader by maintaining leading-edge design technology, prompt technical support, and a commitment to on-time deliveries. We take pride in our Quality Management System which is ISO 9001 certified, assuring our customers of consistent product reliability.