

## Butterfly valve with Wafer types

- For open and closed cold and warm water systems
- For switching heat generators or cooling machines on/off



## Type overview

Type	DN	kvmax [m <sup>3</sup> /h]	kvs [m <sup>3</sup> /h]	PN
D625N	25	50	24	6 / 10 / 16
D632N	32	55	25	6 / 10 / 16
D640N	40	65	27	6 / 10 / 16
D650N	50	100	30	6 / 10 / 16
D665N	65	170	50	6 / 10 / 16
D680N	80	260	75	6 / 10 / 16
D6100N	100	520	150	6 / 10 / 16
D6125N	125	880	260	6 / 10 / 16
D6150N	150	1400	400	6 / 10 / 16
D6350N	350	10300	3010	10 / 16
D6400N	400	14200	4140	16
D6450N	450	18800	5490	16
D6500N	500	24100	7060	16
D6600N	600	37300	10900	16
D6700N	700	42800	11760	16

## Technical data

<b>Functional data</b>	Fluid	Cold and warm water, water with glycol up to max. 50% vol.
	Fluid temperature	-20...120°C
	Flow characteristic	0...100% opening angle: S-form; 0...60% opening angle: equal percentage
	Flow characteristic note	For butterfly valve actuator combinations with the PR actuator, the flow characteristic can be set to linear using the Belimo Assistant App
	Leakage rate	tight, leakage rate A (EN 12266-1)
	Angle of rotation	90°
	Installation position	upright to horizontal (in relation to the stem)
	Suitable connection flange	In accordance with ISO 7005-2 and EN 1092-2 PN6/10/16, AS Table E (DN 50...150) PN10/16, AS Table E (DN 350) PN16 (DN 400...600)
	Servicing	maintenance-free
	<b>Materials</b>	Valve body
Body finish		polyester powder coated
Closing element		Stainless steel AISI 304 (1.4301)
Stem		Stainless steel AISI 420 (1.4021) (DN 25, 32, 40, 50, 65, 80, 100, 125, 150) Stainless steel AISI 630 (1.4542) (DN 350, 400, 450, 500, 600, 700)

Stem seal	EPDM O-ring
Stem bearing	RPTFE
Seat	EPDM

**Safety notes**


- The valve has been designed for use in stationary heating, ventilation and air-conditioning systems and must not be used outside the specified field of application, especially in aircraft or in any other airborne means of transport.
- Only authorised specialists may carry out installation. All applicable legal or institutional installation regulations must be complied during installation.
- The valve does not contain any parts that can be replaced or repaired by the user.
- The valve may not be disposed of as household refuse. All locally valid regulations and requirements must be observed.
- When determining the flow rate characteristic of controlled devices, the recognised directives must be observed.
- The damper must be opened and closed slowly in order to avoid hydronic shocks in the pipe system.

**Product features**

**Mode of operation** The butterfly valve is opened or closed completely by an open/close rotary actuator. Continuous rotary actuators are connected by a commercially available controller and move the valve to any position desired. The valve disk made of stainless steel is pressed into the soft-sealing EPDM seat by a rotary movement and ensures leakage rate A (tight). The pressure losses are slight in the open position and the kv value is at a maximum.

**Manual override** Manual throttling or isolation can be carried out with a lever or a worm gear (see «Accessories»).

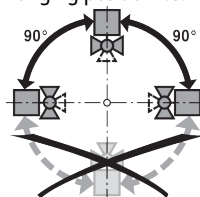
- With lever (DN 25...150): Adjustable in 10 ratchet steps with position indication ( 0 = 0° (angle); 9 = 90° (angle) )
- With worm gear (DN 25...700): steplessly adjustable (self-locking) with position indication.

**Accessories**

Electrical accessories	Description	Type
	Stem heating flange F05 DN 25...100 (30 W)	ZR24-F05
Mechanical accessories	Description	Type
	Manual control for butterfly valves DN 25...100	ZD6N-H100
	Manual control for butterfly valves DN 125...150	ZD6N-H150
	Worm gear for butterfly valves DN 25...100	ZD6N-S100
	Worm gear for butterfly valves DN 125...300	ZD6N-S150
	Worm gear for butterfly valves DN 350	ZD6N-S350
	Worm gear for butterfly valves DN 400	ZD6N-S400
	Worm gear for butterfly valves DN 450	ZD6N-S450
	Worm gear for butterfly valves DN 500	ZD6N-S500
	Worm gear for butterfly valves DN 600	ZD6N-S600
	Worm gear for butterfly valves DN 700	ZD6N-S700

**Installation notes**

**Recommended installation positions** The butterfly valves may be mounted upright to horizontal. The butterfly valves may not be installed in a hanging position i.e. with the spindle pointing downwards.



**Water quality requirements** The water quality requirements specified in VDI 2035 must be adhered to.

**Stem heating** In cold water applications and warm humid ambient air can cause condensation in the actuators. This can lead to corrosion in the gear box of the actuator and causes a breakdown of it. In such applications, the use of a stem heating is provided.

The stem heating must be enabled only when the system is in operation, because it does not have temperature control.

**Servicing** Butterfly valves and rotary actuators are maintenance-free.

Before any service work on the final controlling device is carried out, it is essential to isolate the rotary actuator from the power supply (by unplugging the electrical cable if necessary). Any pumps in the part of the piping system concerned must also be switched off and the appropriate slide valves closed (allow all components to cool down first if necessary and always reduce the system pressure to ambient pressure level).

The system must not be returned to service until the butterfly valve and the rotary actuator have been reassembled correctly in accordance with the instructions and the pipeline has been refilled by professionally trained personnel.

To avoid a torque increase during off season shut down, exercise the butterfly valve (full open and close) at least once a month.

**Flow setting** The Belimo butterfly valves have an approximate equal percentage characteristic curve between 0...60% opening angle.

The following table shows the respective kv values in relation to the opening angle (%).

		10%	20%	30%	40%	50%	60%	70%	80%	90%	100%
DN 25	kv (m3/h)	0.1	2	6	10	15	24	36	46	48	50
DN 32	kv (m3/h)	0.1	2	6	11	15	25	38	49	51	55
DN 40	kv (m3/h)	0.1	2	6	11	16	27	41	59	62	65
DN 50	kv (m3/h)	0.1	2	6	11	18	30	45	67	90	100
DN 65	kv (m3/h)	0.1	4	9	17	30	50	76	110	160	170
DN 80	kv (m3/h)	0.2	6	13	26	50	75	120	170	240	260
DN 100	kv (m3/h)	0.2	12	26	50	90	150	230	350	480	520
DN 125	kv (m3/h)	0.4	20	40	90	160	260	400	590	810	880
DN 150	kv (m3/h)	1	30	70	140	250	400	620	910	1260	1400
DN 350	kv (m3/h)	5	240	520	1050	1860	3010	4640	6880	9470	10300
DN 400	kv (m3/h)	6	320	720	1450	2560	4140	6380	9460	13030	14200
DN 450	kv (m3/h)	9	430	950	1920	3400	5490	8460	12530	17250	18800
DN 500	kv (m3/h)	11	550	1220	2460	4370	7060	10870	16110	22190	24100
DN 600	kv (m3/h)	17	850	1880	3800	6740	10900	16800	24890	34280	37300
DN 700	kv (m3/h)	28	1260	2670	4700	7400	11760	17960	27340	37910	42800



**Parametrisation linear characteristic curve**

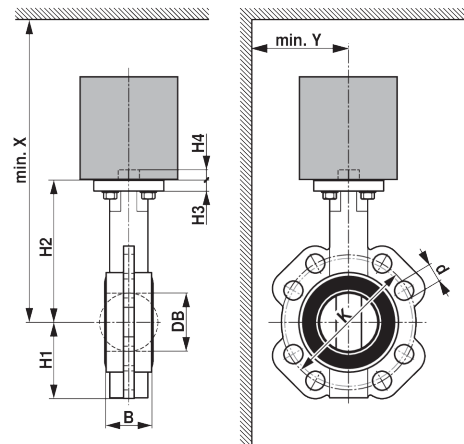
For butterfly valve actuator combinations with the PR actuator, the flow characteristic can be set to linear using the Belimo Assistant App.

The following table shows the respective kv values in relation to the control signal (%).


		10%	20%	30%	40%	50%	60%	70%	80%	90%	100%
DN 100	kv (m3/h)	52	104	156	208	260	312	364	416	468	520
DN 125	kv (m3/h)	88	176	264	352	440	528	616	704	792	880
DN 150	kv (m3/h)	140	280	420	560	700	840	980	1120	1260	1400

**Dimensions**

**Dimensional drawings**



Type	DN	B [mm]	DB [mm]	H1 [mm]	H2 [mm]	H3 [mm]	H4 [mm]	d (PN6)	K (PN6) [mm]	d (PN10)	K (PN10) [mm]
D625N	25	32	30	57	86	10	13	4 x 11	75	4 x 14	85
D632N	32	33	35	60	100	10	13	4 x 14	90	4 x 19	100
D640N	40	33	42	68	119	10	13	4 x 14	100	4 x 19	110
D650N	50	43	52	72	133	11	13	4 x 14	110	4 x 19	125
D665N	65	46	64	81	147	11	13	4 x 14	130	4 x 19	145
D680N	80	46	78	96	158	11	13	4 x 19	150	8 x 19	160
D6100N	100	52	103	106	170	11	13	4 x 19	170	8 x 19	180
D6125N	125	56	122	122	194	15	19	8 x 19	200	8 x 19	210
D6150N	150	56	155	140	202	15	19	8 x 19	225	8 x 23	240
D6350N	350	78	333	267	361	15	24			16 x 23	460
D6400N	400	102	391	308	400	20	48				
D6450N	450	114	442	337	422	22	48				
D6500N	500	127	493	359	480	22	48				
D6600N	600	154	594	454	562	25	48				
D6700N	700	165	695	505	624	33	66				

Type	d (PN16)	K (PN16) [mm]	d (Table E)	K (Table E) [mm]	X [mm]	Y [mm]	
D625N	4 x 14	85	4 x 14	83	320	150	1.1
D632N	4 x 19	100	4 x 14	87	340	150	1.5
D640N	4 x 19	110	4 x 14	98	350	160	1.6
D650N	4 x 19	125	4 x 18	114	370	160	2.1
D665N	4 x 19	145	4 x 18	127	380	170	3.0
D680N	8 x 19	160	4x 18	146	390	180	3.3
D6100N	8 x 19	180	4 x 18	178	410	190	4.0
D6125N	8 x 19	210	4 x 18	210	530	210	6.7
D6150N	8 x 23	240	8 x 22	235	540	220	7.4
D6350N	16 x 28	470	12 x 22	470	1200	400	34
D6400N	4 x 31	525			1300	500	60
D6450N	4 x 31	585			1300	500	73
D6500N	4 x 33	650			1700	600	98
D6600N	16 x 37	770			1800	700	180
D6700N	20 x 37	840			1800	800	330

**Further documentation**

- The complete product range for water applications
- Data sheets for actuators
- Installation instructions for actuators and/or butterfly valves
- General notes for project planning