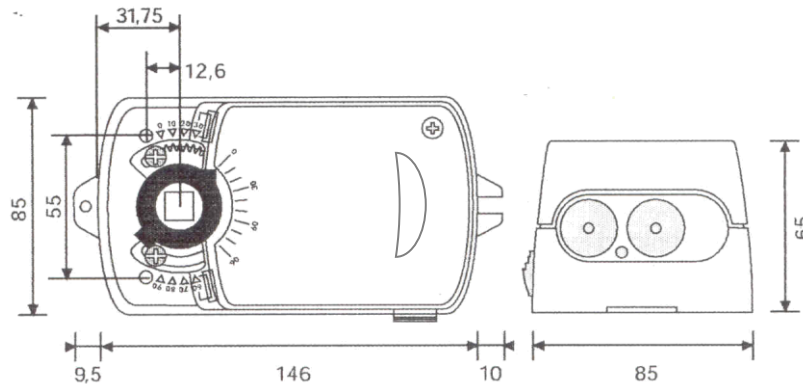


DM-02DN Rotary Damper Actuator



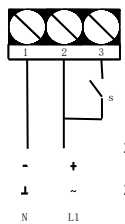
This compact, non-spring return actuator has a 2Nm running torque in a compact easy-to-install package. It has a nominal 35-second travel time for 90° of rotation.

Mounting dimensions



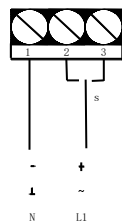
Wiring diagram

2-point

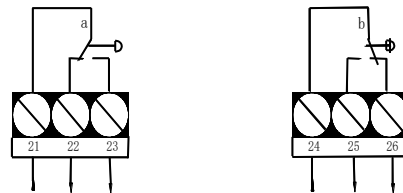


24VDC ± 10%
24VAC ± 10%
230VAC ± 10%

3-point



Auxiliary switches



3 (1.5) Amp 230v

Actuator at 0° position

Specifications

Model	DM-02DN-1	DM-02DN-2
Torque	2Nm	
Damper area	0.5m ²	
Running Time	35s	
Power supply	24VAC/DC	230VAC
Frequency	50/60Hz	
Power consumption	Operating: 2.5W(24V) 4.0W(230V)	
	At the end stops: 0.85W(24V) 3.0W(230V)	
Wiring size	4.1 VA	5.0VA
Shipping weight	0.9Kg	1.0Kg
Control signal	2point and 3point	
Rotation angle	0~90°	
Limit angle	5~85°(5°increment)	
Auxiliary switch rating	3 (1.5) Amp 230V	
Life cycle	60,000 cycles	
Noise level	45dB(A)	
Protection class	II	
IP protection	IP44or IP54	
Ambient temperature	-20~+50°C	
Ambient humidity	5~95%RH	
Storage	-40~+70°C	
Certificate	CE and ISO9000	

Notice: Drawing out the actuator wiring through the PG joint, the protection level can reach to IP54.