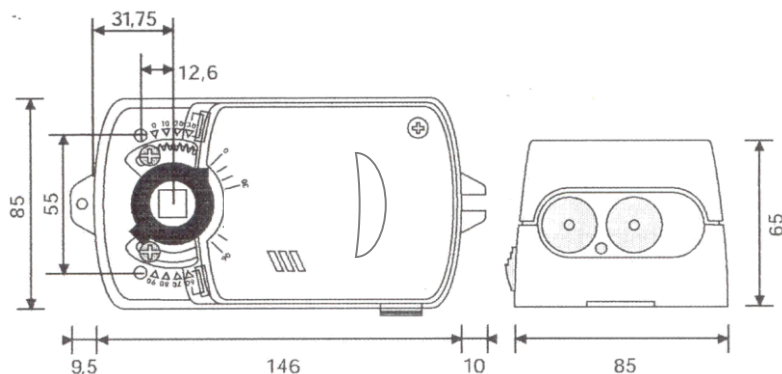


## DM-04AN-1 Rotary Damper Actuator

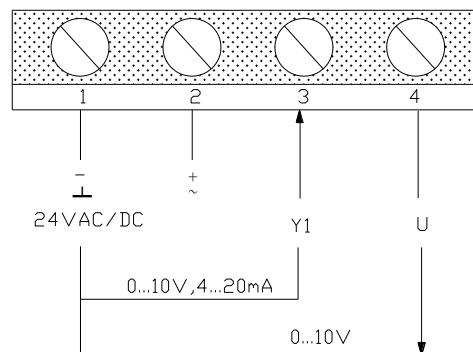


This compact, non-spring return actuator has a 4Nm running torque in a compact easy-to-install package. It has a nominal 35-second travel time for 90° of rotation.

### Mounting dimensions



### Wiring diagram



## Specifications

Model	DM-04AN-1
Torque	4Nm
Damper area	1m <sup>2</sup>
Running Time	35s
Power supply	24VAC/DC, 4~20mA
Frequency	50/60Hz
Power consumption	Operating: 2.5W At the end stops: 0.85W
Wiring size	4.1VA
Shipping weight	0.9Kg
Control signal	0~10 VDC
Rotation angle	0~90°
Limit angle	5~85°(5°increment)
Life cycle	60,000 cycles
Noise level	45dB(A)
Protection class	II
IP protection	IP44or IP54
Ambient temperature	-20~+50°C
Ambient humidity	5~95%RH
Storage	-40~+70°C
Certificate	CE and ISO9000

**Notice:** Drawing out the actuator wiring through the PG joint, the protection level can reach to IP54.