

DM-08/16/24DN Rotary Damper Actuator

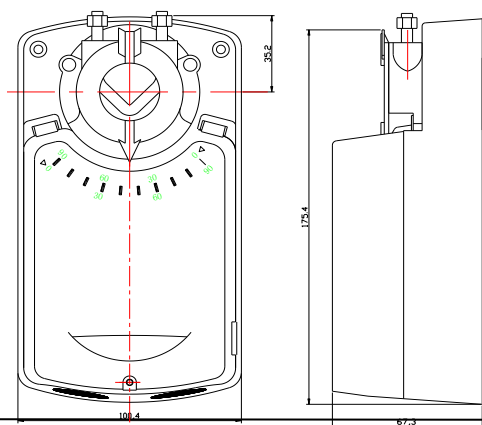


High quality damper actuators have been designed for use with air damper, butterfly valve, characterized ball valve and globe valve with the use of special adapter.

Features

- Floating, On/Off control
- Universal Spindle Clamp for easy direct mounting
- Anti-rotation bracket provided for stability
- Manual over ride by push button when required
- Adjustable angle of rotation
- Parallel connection up to 10 actuators
- 2 adjustable SPDT auxiliary switches when requested
- Power saving at end stops
- Customised version available, on request

Mounting dimensions

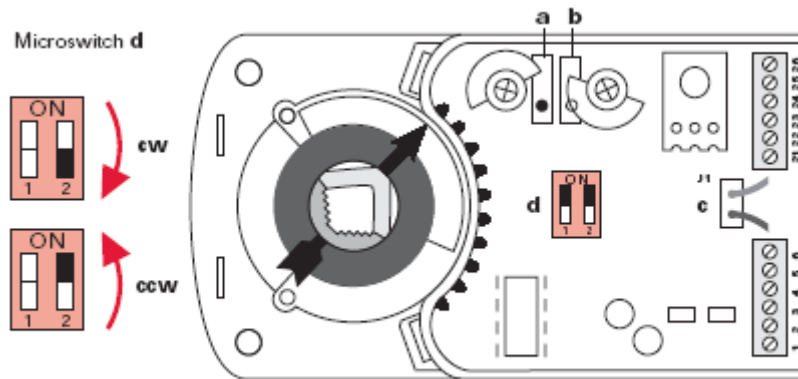


Specifications

Item	DM-08	DM-16	DM-24
Torque	8Nm	16Nm	24Nm
Damper area	2m ²	4m ²	6m ²
Running Time	30s	80s	125s
Power supply	AC24V/DC24V/AC220V/230V/AC110V		
Frequency	50/60Hz		
Power consumption	Operating: 4.0W(24V) 4.8W(220V/230V) 2.2W(110V) At the end stops: 0.7W(24V) 1.0W(220V/230V) 1.4W(110V)		
Wiring size	6.5 VA/7.5VA(230V),3.4VA(110V)		
Shipping weight	1.1Kg (24V) ; 1.2Kg (220V)		
Control signal	On/Off Digital Output		
Rotation angle	0~90°		
Limit angle	5~85°(5°increment)		
Auxiliary switch rating	3 (1.5) Amp 230V		
Life cycle	60,000 cycles		
Noise level	45dB(A)		
IP protection	IP44or IP54		
Ambient temperature	-20~+50°C		
Ambient humidity	5~95%RH		
Storage	-40~+70°C		
Certificate	CE and ISO9000		

Notice: Drawing out the actuator wiring through the PG joint, the protection level can reach to IP54.

Selection of rotating direction



Plug **(c)** must never be reversed otherwise the motor will not function correctly.

Auxiliary switch adjustment

