



DM1103H / DM1104H

AlgoRex

Manual call point 'Heavy Duty'

CE

Collective

-
- Manual call point to all fire detection system control units with collective detector evaluation
 - Extremely robust housing version made of glass fiber reinforced thermoplastic material (IP66)
 - For surface mounting suited for wet, humid and dusty areas
 - Manual call point DM1103H with indirect operation
 - Manual call point DM1104H with direct operation
 - Two-wire installation

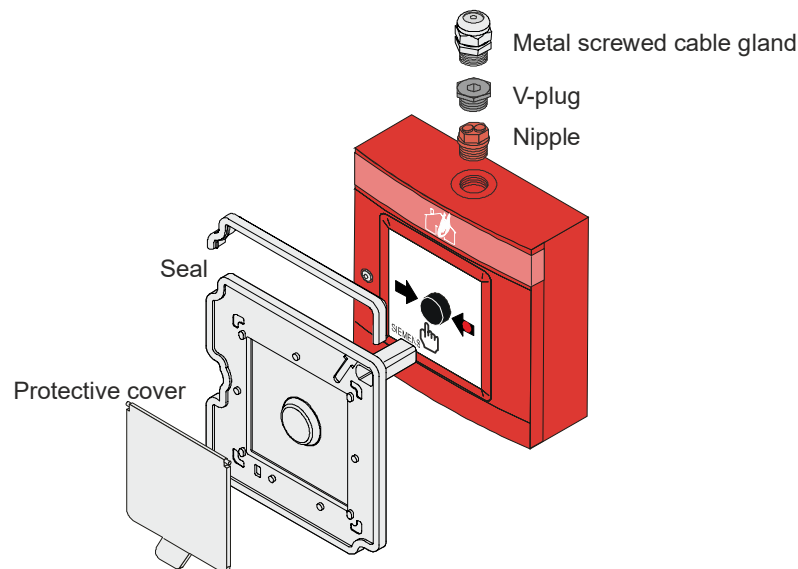
Characteristics

- **Environmental**
 - Ecologically processing
 - Recyclable materials
 - Electronic and synthetic material simple separable
- **Characteristics**
 - Protected electronic
 - Alarm indicator (LED) built-in

Manual call point

A protective cover DMZ1197-AC (accessory part) protects the manual call point from unintentional glass break.

A seal DMZ1197-AD or FDMP223 (accessory part) protects the manual call point in wet applications.

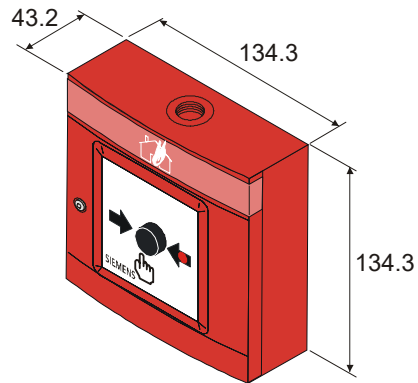


- **Function DM1103H**
 - Indirect alarm actuation by smashing in the glass plate and pressing the push button
 - To replace the glass plate, open the housing door with an Allen key. The push button must be set back before closing the door again
- **Function DM1104H**
 - Direct alarm actuation by smashing in the glass plate
 - To replace the glass plate, open the housing door with an Allen key, upon closing the door the button is reset
- **Application**
 - For the immediate manual actuation of a fire alarm or an extinguishing process
 - For indoor and outdoor application, equally suited for wet, humid and dusty areas
 - Only for surface mounted feed lines in easily accessible places
 - Tunnels, Industry

Installation

- The housing is equipped with **one** opening at the top and **two** openings at the bottom for nipples (enclosed) and for M20 metal cable glands (accessory part)
- For IP66 applications the unused openings must be locked with the V-plug (accessory part)

Dimensions



Technical data

Operating voltage modulated	DC 16...26 V	
Max. current, permanent	60 mA	
Max. current pulsating	100 mA	
Connection terminals	0,28...1,5 mm ²	
Operating temperature	-25...+70 °C	
Storage temperature	-30...+75 °C	
Humidity (no condensation)	≤95 % rel.	
Connection factor KMK	1	
Color	red, ~RAL 3000	
Protection category IEC 60529		
– with seal DMZ1197-AD	IP66	
– with seal FDMP223	IP44	
Standards	EN 54-11	
Approvals	DM1103H	DM1104H
– VdS	G205006	G205007
– LPCB	–	531j/03
System compatibility	Compatible to all fire detection system control units with collective detector evaluation	

Details for ordering

	Type	Part no	Designation	Weight
DM1103H / DM1104H	FDMH292-R	A5Q00005525	Housing red with glass, hexagon wrench key, 3 nipples (2 holes) and plate (Feuerwehr / Brandmelder)	0.297 kg
	DMA1103D	A5Q00004470	Switching unit to DM1103H	0.067 kg
	DMA1104D	A5Q00005925	Switching unit to DM1104H	0.070 kg
Accessories	DMZ1197-AC	BPZ:5223550001	Protective cover	0.012 kg
	DMZ1197-AD	BPZ:5470680001	Seal for wet areas	0.023 kg
	FDMP223	S54311-F10-A1	Seal for FDM223/224	0.003 kg
	–	A5Q00004478	Metal screwed cable gland M20x1.5	0.039 kg
	–	A5Q00008131	V-plug PA M20 x 1.5	0.005 kg
Spare parts	DMZ1196-AC	BPZ:4942050001	Glass	0.016 kg
	–	A5Q00006735	Nipple red, M20 x 1.5 (1 hole)	0.007 kg
	–	A5Q00010055	Nipple red, M20 x 1.5 (2 hole)	0.007 kg

Disposal



The device is considered an electronic device for disposal in accordance with the European Guidelines and may not be disposed of as domestic garbage.

- Dispose of the device through channels provided for this purpose.
- Comply with all local and currently applicable laws and regulations.