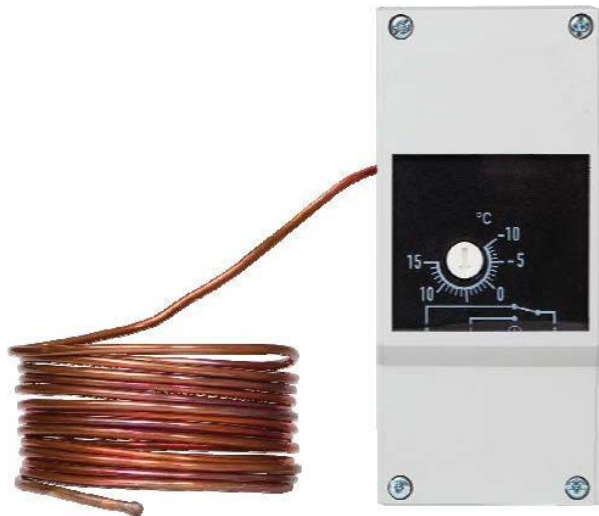


Picture



Highlights

- Simple apparatus acc. to ATEX / IECEx
- Installation in zone 1, 2 Kategorie II2G
- Easy mounting push in clamp
- Proven technique

Application

The frost protection thermostat is used for temperature monitoring in ventilation and air conditioning systems to prevent frost damage, used. It has a small switching differential and a high reproducibility. The default is automatic (STW) or manually (STB).

High application flexibility and state-of-the-art connection technology are the essential features of this thermostat Model series. The thermostat housing is for all common Mounting types such as wall and pipe mounting suitable.

Through the "Push-In®" clamping technology, the connecting wires simply put it in the nip until it stops. A tool for connecting wire or stranded wire with core sleeve is not required and the wiring becomes safer. Hereby Reduces the cost and time compared to the conventional Screw terminal clearly. The "Push-In®" clamping technology enables direct switching. The installation costs can be that way further reduced by the elimination of a load contactor.

Types

CP.Ex-FS.Ex-1.8	Frost protection thermostate 1,8 m capillar
CP.Ex-FS.Ex-3	Frost protection thermostate 3 m capillar
CP.Ex-FS.Ex-6	Frost protection thermostate 6 m capillar

Technical Data

Power supply	Via intrinsically safe barrier
Input signal	Temperature via capillar
Output signal	SPDT - changeover contact
Electrical connection	0,75 – 2,5 mm ²
Accuracy switch point	+/- 2 K
Humidity	10 ... 85 %RH without condensation
Temperature range	-20 ... +40°C
Mounting position	any, recommended vertical
Housing material	PA, ABS
Capillar	copper
IP protection	IP40
Maintenance	free
Dimension L x B x H	150 x 53 x 64 mm
Weight	200 g
Cable gland	M20 brass plated Ø 6-13 mme
Explosion proof	Simple appartus

Function

Safety temperature monitor STW

Falls below the sensor line, at a length of 15 cm 3 m length, the set Setpoint, the circuit 1-2 is opened, the circuit 1-4 closed due to the switching function. At temperature rise the microswitch will automatically return to its original position brought.

Upon destruction of the measuring system, if the expansion fluid escapes, the pressure in the membrane drops and opens staying the circuit 1-2 and closes the circuit 1-4.

Safety temperature limiter STB

The safety temperature limiter locks in case of temperature drop automatically and can only be unlocked manually after temperature increase become.

Upon destruction of the measuring system, i. if the expansion fluid escapes, the pressure in the membrane drops and opens staying the circuit 1-2 and closing the circuit 1-4.

Associated intrinsically safe contact isolator

1 channel
BS.Ex - DT1361 IS contact isolator 1 channel

Others on request

TECHNICAL INFORMATION

CP.Ex-FROST..



frost protection thermostat ■ relay output ■ capillary length 1,8, 3, 6 m

Explosion proof

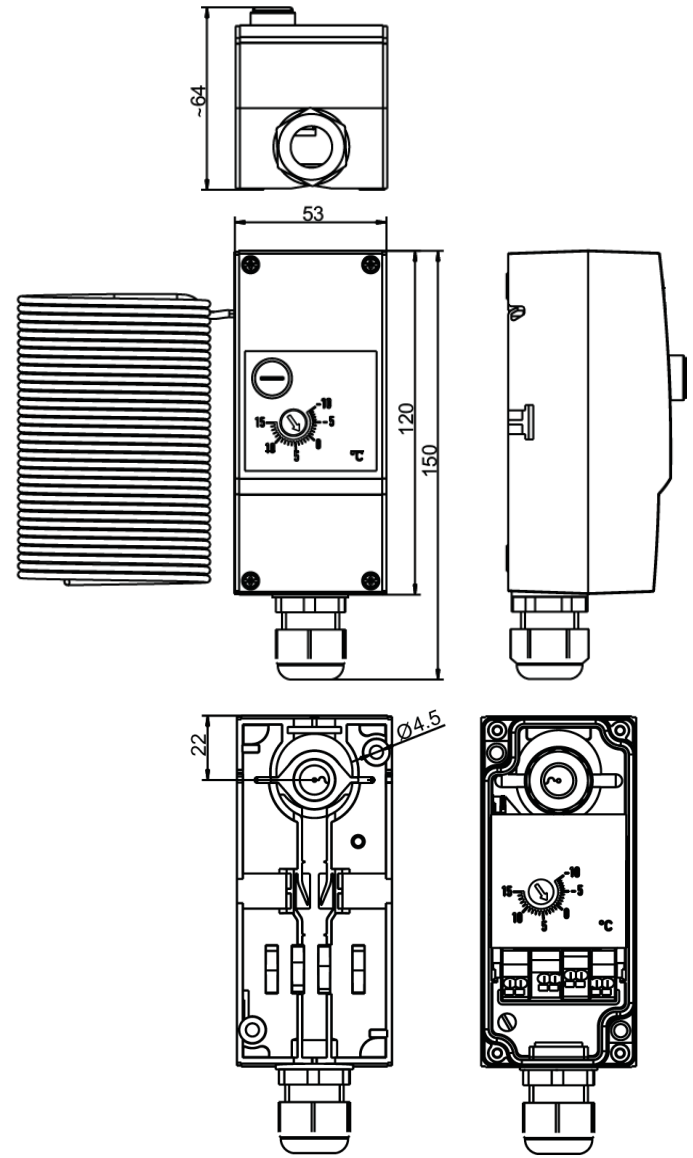
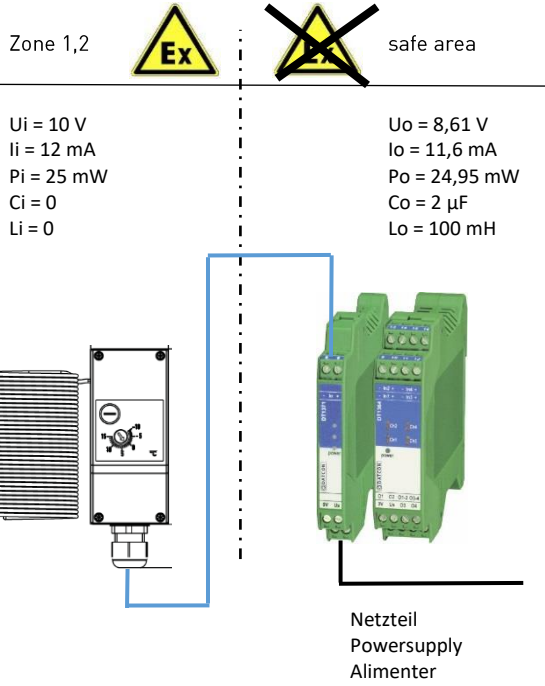
ATTENTION!

- Install by manufacturer instruction and standards and guidelines.
- This equipment can be used in accordance with the manufacturer's specifications in Zone 1 (II 2G) or Zone 2 (II 3G).
- The devices may only be used in measuring stands against which the process-contacting materials are resistant
- Dangerous of electrostatic discharge! Wet cleaning only

Safety notes

- Installation, electrical connection, maintenance and commissioning may only be carried out by specially trained personnel.

Dimensions



Electrical connection

Use barrier with intrinsically safe output only. Associated intrinsically safe device. Recommended and verified is BS.Ex see accessory

