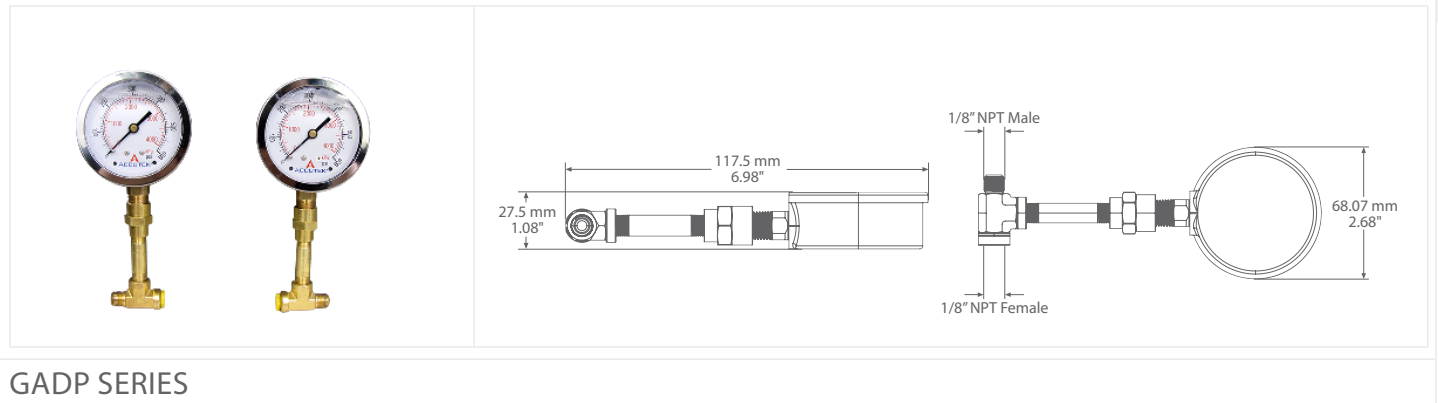




LIQUID PRESSURE GAUGE KIT



GADP SERIES

PRODUCT DESCRIPTION

The differential pressure kit offers two liquid filled pressure gauge assemblies that assemble to both the differential and high-pressure differential transmitter using the supplied 1/8" male brass fitting tee.

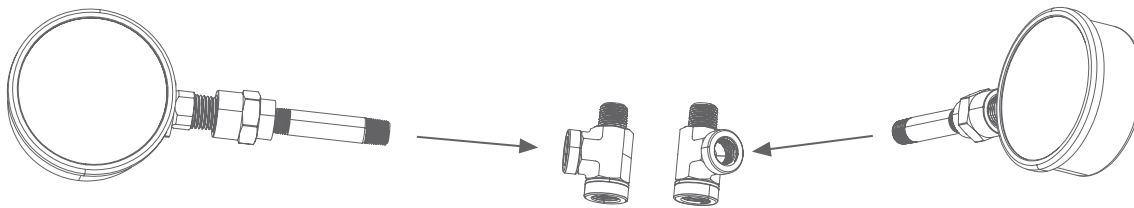
Features include a stem mounted (2.5" Dial) Liquid Gauge with a #304 Stainless Steel Case, 1.5% Full Scale Accuracy, Operating Temperature: - 40°F to + 140°F, -20°C to +60°C, 0-100 PSI or 0-600 PSI & meets ASME B40.100 Standards. Assembled with brass fittings.

A liquid-filled dial reduces needle flutter for precise readings in high-vibration applications. A Stainless-Steel Case provides excellent corrosion resistance.

TYPICAL INSTALLATION

For complete installation and wiring details, please refer to the product installation instructions.

Assemble the kit using Teflon tape and set gauge assemblies to the desired working angles.



ORDERING

LIQUID PRESSURE GAUGE KIT, 0-100 PSI	GADP100
LIQUID PRESSURE GAUGE KIT, 0-600 PSI	GADP600

PART NUMBER

--