



OpenAir™

## Air damper actuators

**GDB...1**  
**GLB...1**

Rotary version, AC 24 V / AC 230 V

- **Electronic motor driven actuators for three-position and modulating control**
- **Nominal torque 5 Nm (GDB), 10 Nm (GLB)**
- **Mechanically adjustable span between 0...90°**
- **Pre-wired with 0.9 m long connection cables**
- **Type-specific variations with adjustable offset and span for the positioning signal**
- **Position indicator**
- **Feedback potentiometer**
- **Self-adaption of rotational angle range and adjustable auxiliary switches for supplementary functions**

Remarks

This data sheet provides a brief overview of these actuators. Please refer to the Technical Basics in document Z4634en for a detailed description as well as information on safety, engineering notes, mounting and commissioning.

Use

- For damper areas up to 0.8 m<sup>2</sup> (GDB) / 1.5 m<sup>2</sup> (GLB), friction-dependent.
- Suitable for use with modulating controllers (DC 0...10 V) or three-position controllers for air dampers or air throttles.

## Type summary

GDB.../GLB...	131.1E <sup>1)</sup>	132.1E <sup>1)</sup>	136.1E <sup>1)</sup>	331.1E <sup>1)</sup>	332.1E <sup>1)</sup>	336.1E <sup>1)</sup>	161.1E <sup>1)</sup>	163.1E	164.1E	166.1E
Control type	Three-position control						Modulating control			
Operating voltage AC 24 V	X	X	X				X	X	X	X
Operating voltage AC 230 V				X	X	X				
Positioning signal Y DC 0...10 V							X			X
DC 0...35 V with characteristic function $U_0, \Delta U$								X	X	
Position indicator $U = DC 0...10 V$							X	X	X	X
Feedback potentiometer 1 k $\Omega$		X			X					
Self-adaption of rotational angle range							X	X	X	X
Auxiliary switches (two)			X			X			X	X
Rotary direction switch							X	X	X	X

<sup>1)</sup> While stocks last

## Functions




Type	GDB.3..1 / GLB.3..1	GDB16..1 / GLB16..1
Control type	Three-position control	Modulating control
Positioning signal with adjustable characteristic function		Y = DC 0...35 V at Offset $U_0 = 0...5 V$ Span $\Delta U = 2...30 V$
Rotary direction	Clockwise or counter-clockwise direction depends... ...on the type of control. With no power applied, the actuator remains in the respective position.	
Position indication: Mechanical	Rotary angle position indication by using a position indicator.	
Position indication: Electrical	The feedback potentiometer can be connected to external voltage to indicate the position.	Position indicator: Output voltage $U = DC 0...10 V$ is generated proportional to the rotary angle. U depends on the rotary direction of the DIL switch setting.
Auxiliary switch	The switching points for auxiliary switches A and B can be set independent of each other in increments of 5° within 0° to 90°.	
Self-adaptation of linear span		When self-adaptation is active, the actuator automatically determines the mechanical end positions of the linear span and maps the characteristic function ( $U_0, \Delta U$ ) to the calculated linear span.
Manual adjustment	The actuator can be manually adjusted by pressing the gear train disengagement button	
Rotary angle limitation	The rotary angle of the shaft adapter can be limited mechanically with a socket head cap screw.	

## Ordering

Note Potentiometer and auxiliary switches **cannot be added in the field**. For this reason, order the type that includes the required options.

Accessories, spare parts Accessories to functionally extend the actuators are available, e.g., rotary/linear sets, see data sheet **N4698**.

## Technical data

 AC 24 V supply (SELV/PELV)	Operating voltage / Frequency	AC 24 V ± 20 % / 50/60 Hz		
	Power consumption GDB13..1/GLB13..1 Running	2 VA / 1 W		
	GDB16..1/GLB16..1 Running Holding	3 VA / 2 W 1 W		
 AC 230 V supply	Operating voltage / Frequency	AC 230 V ± 10 % / 50/60 Hz		
	Power consumption GDB33..1/GLB33..1 Running	2 VA / 1 W		
Function data	Nominal torque	5 Nm (GDB)/ 10 Nm (GLB)		
	Maximum torque (blocked)	7 Nm (GDB)/ 19 Nm (GLB)		
	Nominal rotary angle / Max. rotary angle	90° / 95° ± 2°		
	Runtime for 90° rotary angle (GDB/GLB)	150 s (50 Hz) / 125 s (60 Hz)		
Positioning signal for GDB16..1/GLB16..1	Input voltage Y (wires 8-2)	DC 0...10 V		
	Max. permissible input voltage	DC 35 V, internally limited to DC 10 V		
Characteristic functions for GDB/GLB GDB/GLB166.1 GDB/GLB163.1, GDB/GLB164.1	Input voltage Y (wires 8-2)	DC 0...35 V		
	Non-adjustable characteristic function	DC 0...10 V		
	Adjustable characteristic function Offset U <sub>o</sub> Span ΔU	DC 0...5 V DC 2...30 V		
Position indicator for GDB/GLB	Output voltage U (wires 9-2)	DC 0...10 V		
	Max. output current	DC ± 1 mA		
Feedback potentiometer for GDB/GLB132.1, GDB/GLB332.1	Change of resistance (wires P1-P2)	0...1000 Ω		
	Load	< 1 W		
 Auxiliary switches for GDB../GLB..6.1, GDB/GLB164.1	Contact rating	6 A resistive, 2 A inductive		
	Voltage (no mixed operation AC 24 V / AC 230 V)	AC 24...230 V		
	Switching range for auxiliary switches	5°...90°		
	Setting increments	5°		
Connection cables	Cross-section	0.75 mm <sup>2</sup>		
	Standard length	0.9 m		
Degree of protection of housing	Degree of protection as per EN 60 529 (note mounting instructions) IP 54			
Protection class	Insulation class	EN 60730		
	AC 24 V, feedback potentiometer	III		
	AC 230 V, auxiliary switch	II		
Environmental conditions	Operation / Transport	IEC 60721-3-3 / IEC 60721-3-2		
	Temperature	-32...+55 °C / -32...+70 °C		
	Humidity (non-condensing)	< 95% r. F. / < 95% r. F.		
Norms and directives	Product safety: Automatic electrical controls for household and similar use	EN 60730-2-14 (Type 1)		
		Electromagnetic compatibility (Application)		
	For residential, commercial and industrial environments			
			GDB...1	GLB...1
	EU Conformity (CE)		A5W00003842 <sup>1)</sup>	A5W00000176 <sup>1)</sup>
			GDB...1	GLB...1
	RCM Conformity		A5W00003843 <sup>1)</sup>	A5W00000177 <sup>1)</sup>
	Product environmental declaration <sup>2)</sup>		CM2E4634E <sup>1)</sup>	
Dimensions	Actuator W x H x D (see "Dimensions")	70,7 x 137 x 60,6 mm		
	Damper shaft: round	8...16 mm		
		round with centering element	8...10 mm	
	4-kant	6...12.8 mm		
	Min. shaft length	30 mm		
	Shaft hardness	< 300 AV		
Weight	Without packaging:		0.48 kg	

<sup>1)</sup> The documents can be downloaded from <http://siemens.com/bt/download>

<sup>2)</sup> The product environmental declaration contains data on environmentally compatible product design and assessments (RoHS compliance, materials composition, packaging, environmental benefit, disposal).

## Disposal

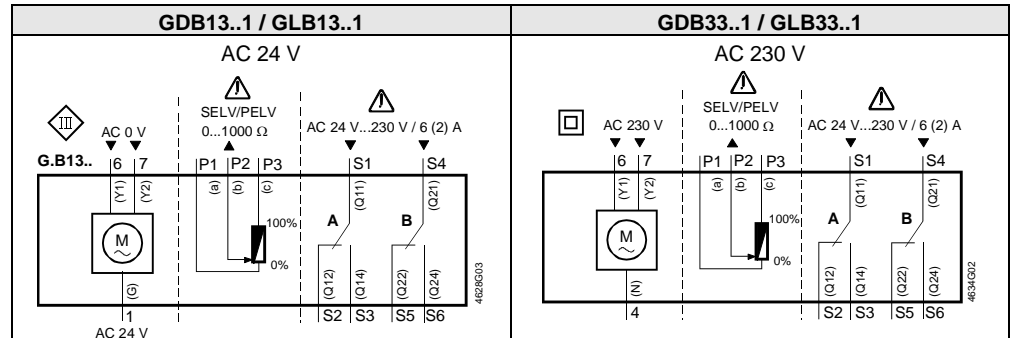


The device is considered an electronics device for disposal in terms of European Directive 2012/19/EU and may not be disposed of as domestic garbage.

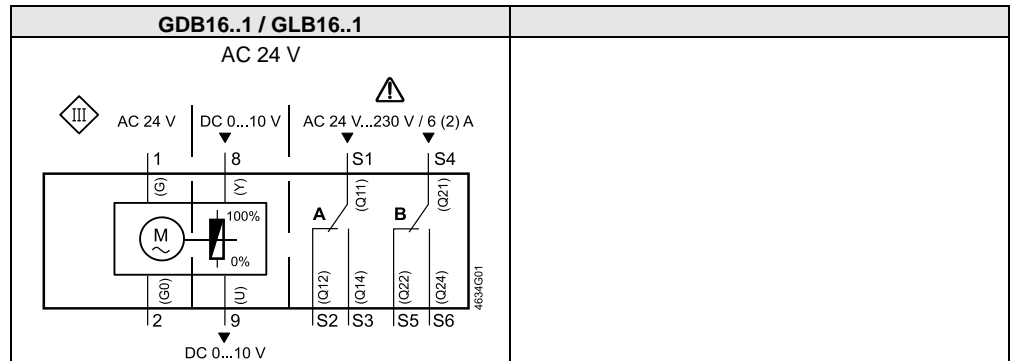
- Dispose of the device through channels provided for this purpose.
- Comply with all local and currently applicable laws and regulations.

## Internal diagrams

### Three-position control



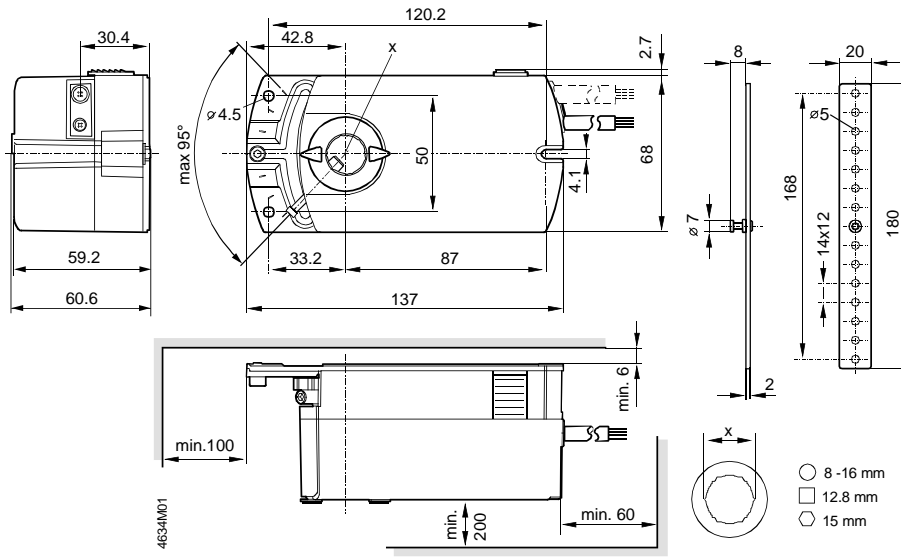
### Modulating control



### Cable labeling

Pin	Cable					Meaning
	Code	No.	Color	Abbreviation		
Actuators AC 24 V	G	1	red	RD	System potential AC 24 V	
	G0	2	black	BK	System neutral	
	Y1	6	purple	VT	Position signal AC 0 V, clockwise	
	Y2	7	orange	OG	Position signal AC 0 V, counter-clockwise	
	Y	8	grey	GY	Position signal DC 0..10 V, 0..35 V	
	U	9	pink	PK	Position indication DC 0..10 V	
Actuators AC 230 V	N	4	blue	BU	Neutral conductor	
	Y1	6	black	BK	Control signal AC 230 V, clockwise	
	Y2	7	white	WH	Control signal AC 230 V, counter-clockwise	
Auxiliary switch	Q11	S1	grey/red	GY RD	Switch A Input	
	Q12	S2	grey/blue	GY BU	Switch A Normally closed contact	
	Q14	S3	grey/pink	GY PK	Switch A Normally open contact	
	Q21	S4	black/red	BK RD	Switch B Input	
	Q22	S5	black /blue	BK BU	Switch B Normally closed contact	
	Q24	S6	black /pink	BK PK	Switch B Normally open contact	
Feedback potentiometer	a	P1	white /red	WH RD	Potentiometer 0...100 % (P1-P2)	
	b	P2	white /blue	WH BU	Potentiometer pick-off	
	c	P3	white /pink	WH PK	Potentiometer 100...0 % (P3-P2)	

# Dimensions



Issued by:  
Siemens Switzerland Ltd  
Smart Infrastructure  
Global Headquarters  
Theilerstrasse 1a  
CH-6300 Zug  
+41 58 724-2424  
[www.siemens.com/buildingtechnologies](http://www.siemens.com/buildingtechnologies)

© Siemens Switzerland Ltd, 2005  
Technical specifications and availability subject to change without notice.