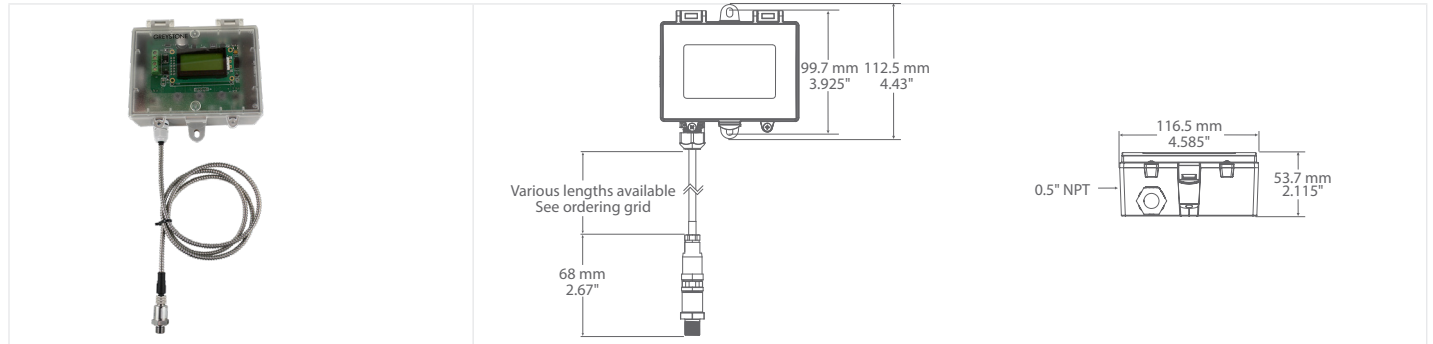


## GAGE PRESSURE TRANSMITTER



### GP SERIES

## PRODUCT DESCRIPTION

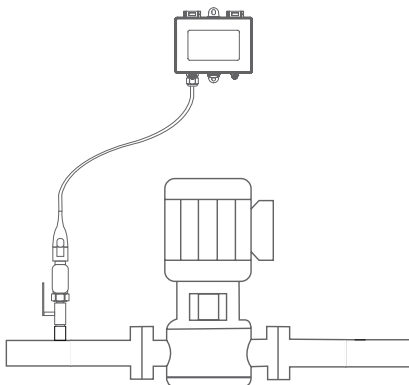
The gage pressure transmitter is designed with a single remote sensor that enables it to accept high pressure ranges up to 500 PSI, 30 Bar or 3000 kPa. All models are rated for overload pressure 2X the maximum full scale range and burst pressure is 20X the maximum full scale range.

Features include field selectable pressure ranges and output signal types, output reversal and slow-dampening, for the most flexible applications. The output signal is factory calibrated and temperature compensated for the highest start-up accuracy.

## TYPICAL INSTALLATION

For complete installation and wiring details, please refer to the product installation instructions.

The transmitter mounts on a vertical surface using the two integrated mounting holes. The remote sensor cable connection should be located on the bottom of the enclosure. The two mounting holes will facilitate a #10 size screw (not supplied). Ensure there is enough space around the unit to make the electrical connections and ensure that it is within an acceptable distance for the length of remote sensor cable. Avoid locations with severe vibrations or excessive moisture.



## SPECIFICATIONS

POWER SUPPLY	24 Vac/dc $\pm 10\%$ (non-isolated, half-wave rectified)
CONSUMPTION	75 mA max @ 24 Vdc
OUTPUT SIGNAL	4-20 mA sourcing, 0-5/0-10 Vdc (switch selectable)
OUTPUT DRIVE	<b>Current:</b> 550 $\Omega$ max <b>Voltage:</b> 10,000 $\Omega$ min
PROTECTION CIRCUITRY	Reverse voltage protected, transient protected
LCD DISPLAY	35mm x 15mm (1.4" x 0.6"), 2 line x 8 character
ACCURACY	$\pm 1\%$ F.S. of selected range (range 4 is $\pm 2\%$ F.S.) @ 22°C (72°F) including hysteresis, non-linearity and repeatability
STABILITY	$\pm 0.25\%$ FS typical (1 year)
PRESSURE RANGES	4 per model (menu selectable)
MEDIA COMPATIBILITY	17-4 PH stainless steel
PROOF PRESSURE	2X highest range per model
BURST PRESSURE	20X highest range per model
MAXIMUM LINE PRESSURE	= highest model range
PRESSURE CYCLES	>100 million
SURGE DAMPENING	1-60 seconds averaging (menu selectable)
ZERO ADJUST	Push-button and remote input
SENSOR OPERATING RANGE	-40 to 105°C (-40 to 221°F)
OPERATING ENVIRONMENT	0 to 50°C (32 to 122°F), 10 to 90 %RH non-condensing
PRESSURE CONNECTION	1/4" NPT male
SENSOR HOUSING	IP67
REMOTE SENSOR CABLE	<b>S:</b> FT-6 plenum rated cable <b>A:</b> Armored Flexible S/S
WIRING CONNECTION	14-22 AWG screw terminal block
ENCLOSURE	<b>B:</b> Polycarbonate, UL94-V0, IP65 (NEMA 4X) <b>E:</b> Same as B with thread adapter (1/2" NPT to M16) and cable gland fitting
WEIGHT	450g (15.9 oz) - Including remote cables and sensors
APPROVALS	CE, RoHS
COUNTRY OF ORIGIN	Canada

## ACCESSORIES - INCLUDED WITH F ENCLOSURE OPTION

