



# GREYSTONE

ENERGY SYSTEMS INC

## HIGH ACCURACY DIFFERENTIAL PRESSURE TRANSMITTER HADP Series

The high accuracy differential pressure transmitter is designed with dual remote sensors that enable it to accept high pressure in ranges up to 500 PSI, 35 bar or 3500 kPa. All models are rated for overload pressure of 2X the maximum fully scale range and burst pressure is 20X the maximum full scale range.

Features include field selectable pressure ranges and output signal types, output reversal and slow damping, port swapping and bidirectional measurements for the most flexible applications. The output signal is factory calibrated and temperature compensated for the highest start-up accuracy. A weatherproof polycarbonate enclosure is included for ease of installation.



### SPECIFICATIONS

- Power Supply.....24 Vac/dc  $\pm$  10% (non-isolated half-wave rectified)
- Consumption.....75 mA max @ 24 Vdc
- Output Signal.....4-20 mA sourcing, 0-5/0-10 Vdc (switch selectable)
- Output Drive .....**Current:** 500 ohms max  
**Voltage:** 10K ohms min
- Protection Circuitry.....Reverse voltage protected, transient protected
- LCD.....35 x 15 mm (1.4 x 0.6"), 2-line x 8-character
- Accuracy..... $\pm$  0.5% full scale of selected range (range 4 is  $\pm$  1%)
- Stability..... $\pm$  0.25% FS typical (1 year)
- Pressure Ranges.....4 per model (menu selectable)
- Media Compatibility.....17-4 PH stainless steel
- Proof Pressure.....2X highest range per model
- Burst Pressure .....20X highest range per model
- Maximum Line Pressure...= highest model range
- Pressure Cycles.....> 100 million
- Surge Damping .....1-60 seconds averaging (menu selectable)
- Zero Adjust.....Push-button and remote input
- Sensor Operating Range...-40 to 105°C (-40 to 221°F)
- Operating Environment ...0 to 50°C (32 to 122°F), 10 to 90 %RH non-condensing
- Pressure Connection .....1/4" NPT male
- Sensor Housing.....IP67
- Remote Sensor Cable .....**S:** FT-6 plenum rated  
**A:** Armored Flexible S/S
- Wiring Connection .....14-22 AWG screw terminal block
- Enclosure.....Polycarbonate, UL94-V0, IP65 (NEMA 4X)  
F style enclosure includes thread adapter (1/2" NPT to M16)  
and cable gland fitting
- Dimensions.....112.5 W x 116.5 H x 53.7 D mm (4.43" x 4.59" x 2.11")
- Weight......650g (26.5 oz) - Including remote cables and sensors
- Country of Origin .....Canada

### PART NUMBER SELECTED

### PRODUCT SELECTION INFORMATION:

MODEL	Product Description
HADP	Differential Pressure Transmitter

CODE	Enclosure
B	Polycarbonate with hinged and gasketed cover
F	Same as B, with thread adapter and cable gland fitting

CODE	Pressure Ranges
01	5, 10, 25, and 50 PSI ranges
02	10, 20, 50, and 100 PSI ranges
03	25, 50, 125, and 250 PSI ranges
04	50, 100, 250, and 500 PSI ranges
05	0.5, 1.0, 2.5, and 5.0 Bar
06	0.7, 1.4, 3.5, and 7.0 Bar
07	1, 2, 5, and 10 Bar
08	3.5, 7, 17.5, and 35 Bar
09	50, 100, 250, and 500 kPa
10	70, 140, 350, and 700 kPa
11	100, 200, 500, and 1000 kPa
12	350, 700, 1750, and 3500 kPa

CODE	Cable Type
S	FT-6 Plenum Rated
A	Armored Cable

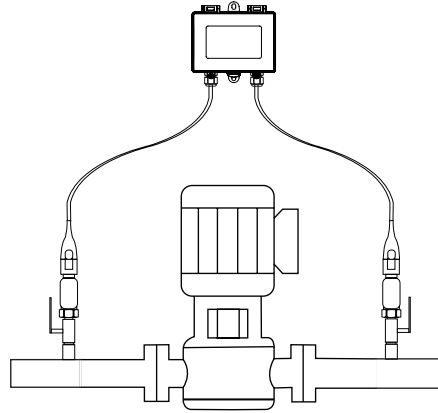
CODE	Cable Length
15	1.5 m (5')
30	3.0 m (10')

Greystone Energy Systems, Inc. reserves the right to make design modifications without prior notice.

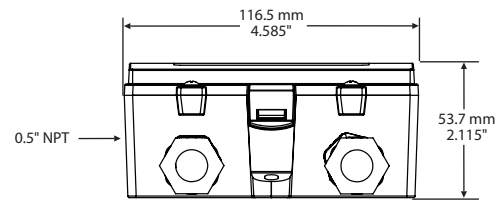
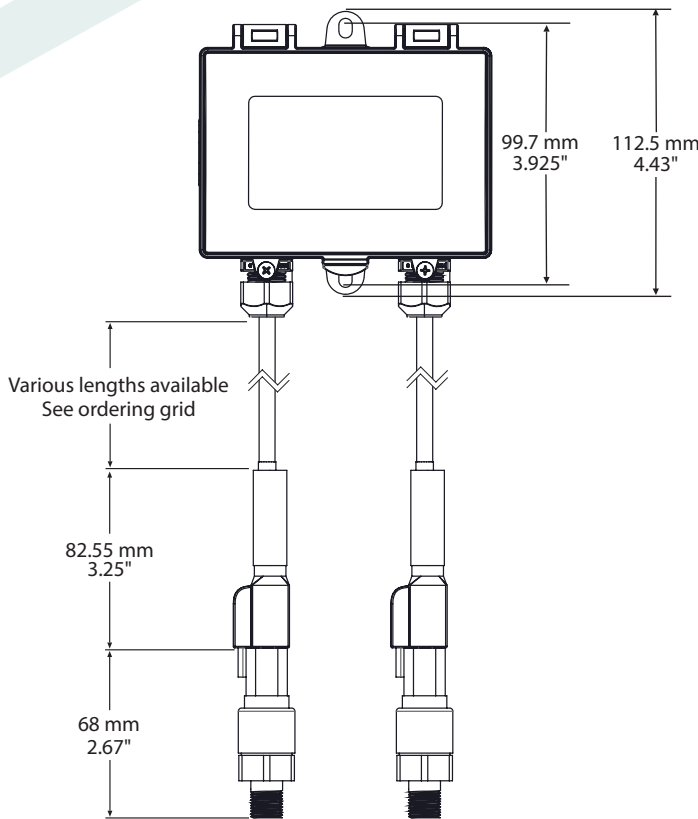
## TYPICAL INSTALLATION:

For complete installation and wiring details, please refer to the product installation instructions.

The transmitter mounts on a vertical surface using the two integrated mounting holes. Ensure there is enough space around the unit to make the electrical connections and that it is within an acceptable distance for the length of remote sensor cables. Avoid locations with severe vibrations or excessive moisture.



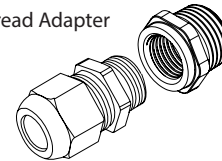
## DIMENSIONS:



Included with F style enclosure

Thread Adapter

Cable Gland Fitting



# GREYSTONE

ENERGY SYSTEMS INC

Greystone Energy Systems, Inc.

150 English Drive, Moncton,  
New Brunswick, Canada E1E 4G7

(506) 853-3057 Fax: (506) 853-6014

North America: 1-800-561-5611

e-mail: mail@greystoneenergy.com

www.greystoneenergy.com

**RoHS**  
COMPLIANT



*Greystone Energy Systems Inc. is one of North America's largest ISO registered manufacturers of HVAC/R sensors and transmitters for Building Automation Management Systems.*

*We have conscientiously established a worldwide reputation as an industry leader by maintaining leading-edge design technology, prompt technical support, and a commitment to on-time deliveries. We take pride in our Quality Management System which is ISO 9001 certified, assuring our customers of consistent product reliability.*

GREYSTONE HAS AN ISO 9001 REGISTERED QUALITY SYSTEM