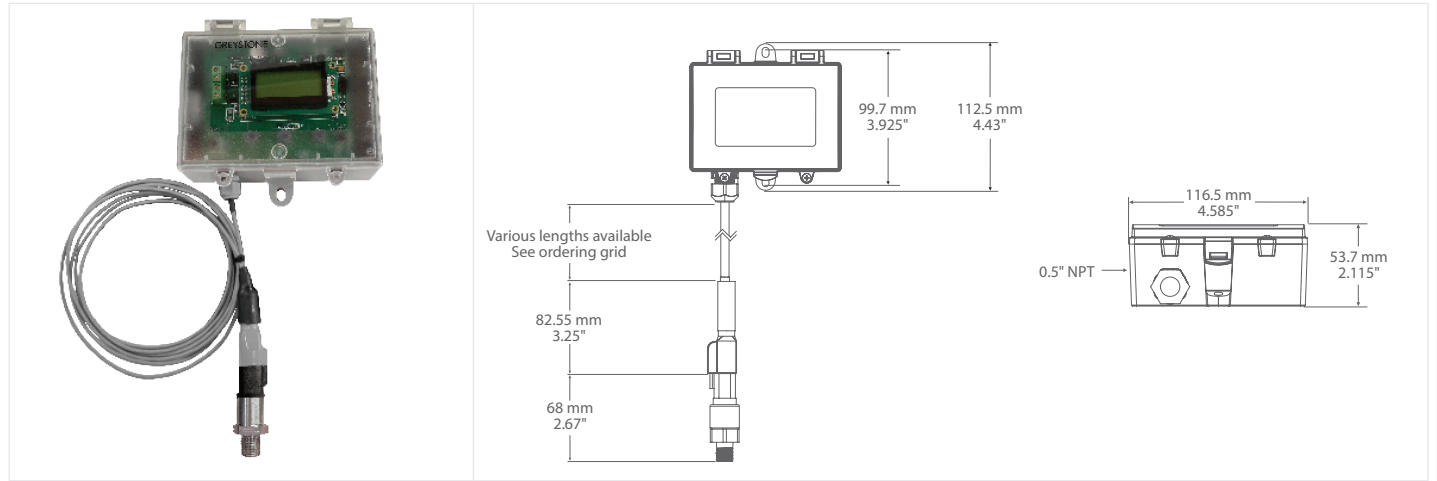




HIGH ACCURACY GAGE PRESSURE TRANSMITTER



HAGP SERIES

PRODUCT DESCRIPTION

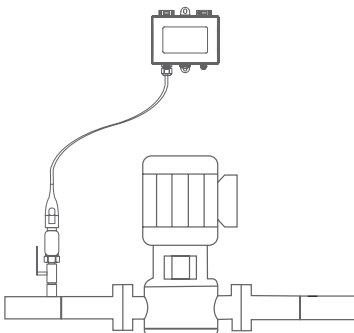
The HAGP series is designed with a single remote sensor that enables it to accept high pressure in several ranges up to 500 PSI, 35 Bar or 3500 kPa. All models are rated for overload pressure 2X the maximum full scale range and burst pressure of 20X the maximum full scale range.

Features include field selectable pressure ranges and output signal types, output reversal and slow-damping for the most flexible applications. The output signal is factory calibrated and temperature compensated for the highest start-up accuracy. A hinged and gasketed polycarbonate enclosure is provided for ease of installation.

TYPICAL INSTALLATION

For complete installation and wiring details, please refer to the product installation instructions.

The transmitter mounts on a vertical surface using the two integrated mounting holes. The remote sensor cable connection should be located on the bottom of the enclosure. The two mounting holes will facilitate a #10 size screw (not supplied). Ensure there is enough space around the unit to make the electrical connections and ensure that it is within an acceptable distance for the length of remote sensor cable. Avoid locations with severe vibrations or excessive moisture.

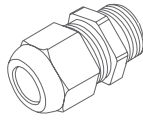


SPECIFICATIONS

POWER SUPPLY	24 Vac/dc $\pm 10\%$ (non-isolated, half-wave rectified)
CONSUMPTION	75 mA max @ 24 Vdc
OUTPUT SIGNAL	4-20 mA sourcing, 0-5/0-10 Vdc (switch selectable)
OUTPUT RIVE	Current: 550 Ω max Voltage: 10,000 Ω min
PROTECTION CIRCUITRY	Reverse voltage protected, transient protected
LCD DISPLAY	35mm x 15mm (1.4" x 0.6"), 2 line x 8 character
ACCURACY	$\pm 0.5\%$ full scale of selected range (range 4 is $\pm 1\%$)
STABILITY	$\pm 0.25\%$ FS typical (1 year)
PRESSURE RANGES	4 per model (menu selectable)
MEDIA COMPATIBILITY	17-4 PH stainless steel
PROOF PRESSURE	2X highest range per model
BURST PRESSURE	20X highest range per model
MAXIMUM LINE PRESSURE	= highest model range
PRESSURE CYCLES	>100 million
SURGE DAMPING	1-60 seconds averaging (menu selectable)
ZERO ADJUST	Push-button and remote input
SENSOR OPERATING RANGE	-40 to 105°C (-40 to 221°F)
OPERATING ENVIRONMENT	0 to 50°C (32 to 122°F), 10 to 90 %RH non-condensing
PRESSURE CONNECTION	1/4" NPT male
SENSOR HOUSING	IP67
REMOTE SENSOR CABLE	S: Ft-6 plenum rated cable A: Armored Flexible S/S
WIRING CONNECTION	14-22 AWG screw terminal block
ENCLOSURE	B: Polycarbonate, UL94-V0, IP65 (NEMA 4X) F: Same as B with thread adapter (1/2" NPT to M16) and cable gland fitting
WEIGHT	450g (15.9 oz) - Including remote cables and sensors
APPROVALS	CE, RoHS
COUNTRY OF ORIGIN	Canada



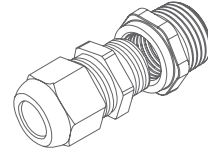
ACCESSORIES - INCLUDED WITH F ENCLOSURE OPTION



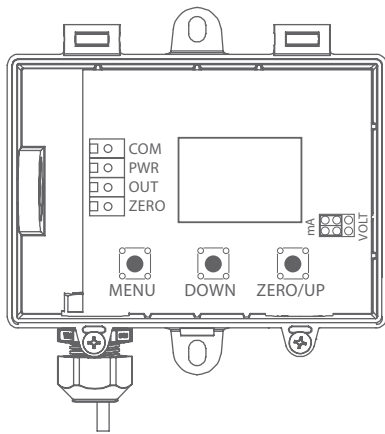
CABLE GLAND FITTING



THREAD ADAPTER 1/2" NPT TO M16



WIRING INFORMATION



TERMINAL

COM
PWR
OUT
ZERO

FUNCTION

Common of controller
+24 Vac/dc of controller
Analog Input
Remote Zero Switch

ORDERING

PART NUMBER

PRODUCT	HAGP	High Accuracy Gage Pressure Transmitter	HAGP
ENCLOSURE	B F	Polycarbonate, with hinged and gasketed cover Same as B, with thread adapter and cable gland fitting	
PRESSURE RANGES	01 02 03 04 05 06 07 08 09 10 11 12	5, 10, 25, and 50 PSI ranges 10, 20, 50, and 100 PSI ranges 25, 50, 125, and 250 PSI ranges 50, 100, 250, and 500 PSI ranges 0.5, 1.0, 2.5, and 5.0 PSI Bar 0.7, 1.4, 3.5, and 7.0 Bar 1, 2, 5, and 10 Bar 3.5, 7, 17.5, and 35 Bar 50, 100, 250, and 500 kPa 70, 140, 350, and 700 kPa 100, 200, 500, and 1000 kPa 350, 700, 1750, and 3500 kPa	
CABLE TYPE	S A	FT-6 plenum rated Armored Cable	
CABLE LENGTH	15 30	1.5m (5') 3.0m (10')	

NOTE: Greystone Energy Systems, Inc. reserves the right to make design modifications without prior notice.

RoHS
COMPLIANT



Greystone Energy Systems, Inc.
150 English Drive, Moncton,
New Brunswick, Canada E1E 4G7

Ph: +1 (506) 853-3057 Fax: +1 (506) 853-6014
North America: 1-800-561-5611
E-mail: mail@greystoneenergy.com