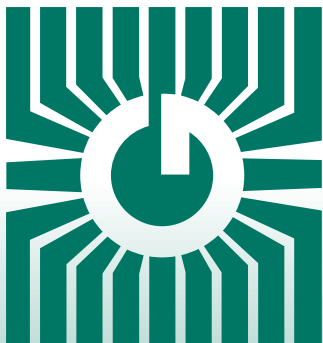


GREYSTONE

ENERGY SYSTEMS INC



High Accuracy Relative Humidity Transmitter HAHS Series



Precision humidity control/sensing

FEATURES:

- Highly Stable RH sensor element
- Humidity range: 0-100%
- Accuracy available 2%, 3%, & 5%
- Optional precision temperature sensors
- Field selectable outputs
- Compact ABS Enclosure

*Peace of mind
through reliable
humidity monitoring*

GREYSTONE HAS AN ISO 9001 REGISTERED QUALITY SYSTEM

DESCRIPTION:

The high accuracy series of humidity transmitters are designed for use in environmental monitoring and control systems where high performance and stability are demanded. It's state-of-the-art design combines digital linearization and temperature compensation with a world class capacitive sensor for reliability and accuracy in even the most critical applications. Various models cover many aspects of RH measurement and several optional features are available to meet virtually all HVAC applications.

SPECIFICATION:

Sensor Type	Thermoset Polymer based Capacitive
Sensor Accuracy	±1% (20 to 80 %RH) or ±2% (5 to 95 %RH)
Wire Material	PVC insulated, parallel bonded, 22 AWG
Measurement Range	0 to 100% RH
Sensor Response Time	15 seconds typical
Temperature Dependence	±0.05% RH/°C
Hysteresis	±1.5% RH maximum
Repeatability	±0.5% RH typical
Linearity	±0.5% RH typical
Stability	±1% RH typical at 50% RH in 5 yrs.
Operating Range	-40 to 85°C (-40 to 185°F)
Operating Humidity	0 to 95% RH non-condensing
Power Supply	18 to 30 Vdc, 15 to 26 Vac
Consumption	22 mA maximum
Input Voltage Effect	Negligible over specified operating range
Protection Circuitry	Reverse voltage protected and output limited
Output Signal	4-20 mA current loop, 0-5 Vdc, 0-10 Vdc, or 0-1 Vdc (jumper-selectable)
Output Drive @ 24 Vdc	550 ohms max for current output 10k ohms min for current output

Internal Adjustments	Clearly marked ZERO and SPAN pots
Optional Temperature Sensor	Various RTDs and thermistors available as two-wire resistance output (See Ordering Chart)
Enclosure	Hinged cover - ABS - UL94-V0 - IP65 (NEMA4X) Hinged cover - ABS with thread adaptor and cable gland fitting
HSDT Probe	230 mm (9") probe length x 12.7 mm (1/2") diameter stainless steel with porous filter
Termination	Screw terminal block (14 to 22 AWG)
Country of Origin	Canada

OPTIONAL TEMPERATURE

Sensor Type	Platinum RTD 1000 Ω, 385 Alpha @ 0°C NTC Thermistor, 10,000 Ω Type 2/3 or 20,000 Ω @ 25°C
Accuracy	RTD Class A: ±0.15°C @ 0°C RTD 1/3 DIN: ±0.1°C @ 0°C RTD 1/10 DIN: ±0.03°C @ 0°C Thermistor (39): ±0.05°C, 0 to 70°C Thermistor (40/46): ±0.1°C, 0 to 70°C Thermistor (55): ±0.03°C, 0 to 70°C

PRODUCT ORDERING INFORMATION:

MODEL	Product Description
HAHS	High Accuracy Humidity Transmitter

CODE	Mounting Style
DT	Duct Humidity Transmitter
OS	Outside Humidity Transmitter

CODE	Enclosure
A	ABS with hinged and gasketed cover
E	Same as A, with thread adapter and cable gland fitting (not available with OS)

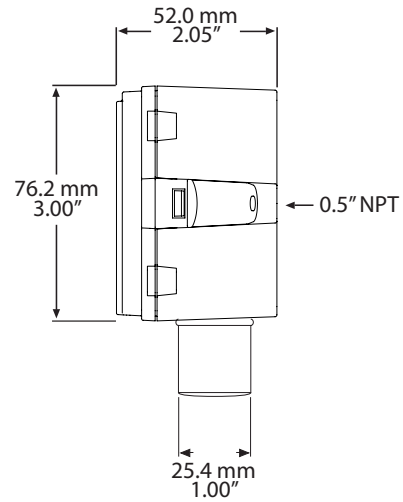
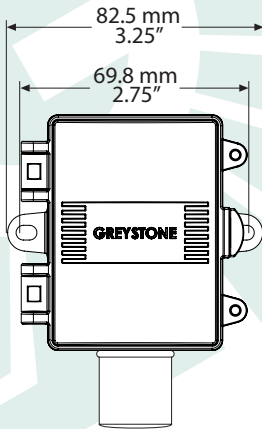
CODE	RH Accuracy
1	1%
2	2%

CODE	Sensor
18	1000 Ω Platinum, IEC 751, 385 Alpha, thin film, Class A
48	1000 Ω Platinum, IEC 751, 385 Alpha, thin film, 1/3 DIN
22	1000 Ω Platinum, IEC 751, 385 Alpha, thin film, 1/10 DIN
39	10,000 Ω Type 2, NTC Thermistor, ±0.05°C
55	10,000 Ω Type 2, NTC Thermistor, ±0.03°C
40	10,000 Ω Type 3, NTC Thermistor, ±0.1°C
46	20,000 Ω NTC Thermistor, ±0.1°C

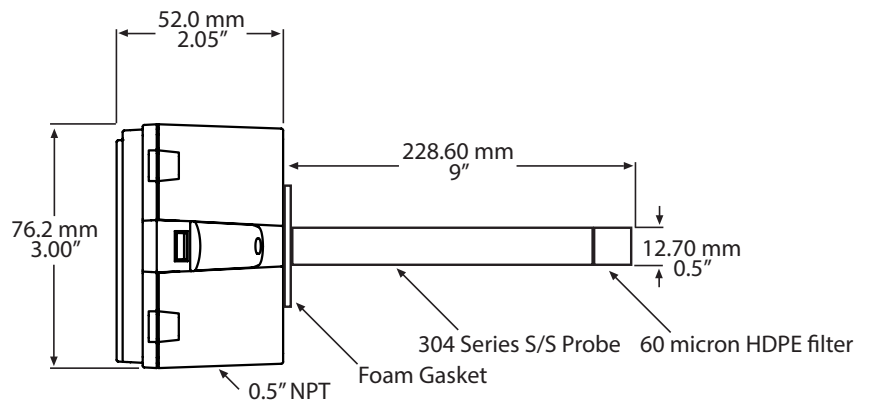
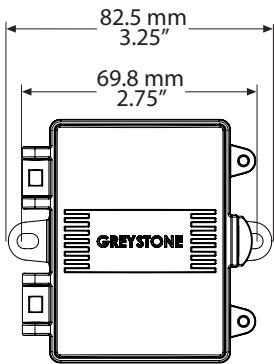
Greystone Energy Systems, Inc. reserves the right to make design modifications without prior notice.

DIMENSIONS:

HSOS

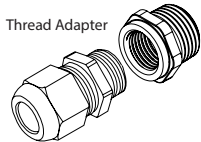


HSDT



ACCESSORIES:

Thread adapter and cable gland fitting are included with the E style enclosure option.



Cable Gland Fitting



GREYSTONE
ENERGY SYSTEMS INC

Greystone Energy Systems Inc.
150 English Drive, Moncton,
New Brunswick, Canada E1E 4G7
(506) 853-3057 Fax: (506) 853-6014
North America: 1-800-561-5611
e-mail: mail@greystoneenergy.com
www.greystoneenergy.com

RoHS
COMPLIANT



Greystone Energy Systems Inc. is one of North America's largest ISO registered manufacturers of HVAC/R sensors and transmitters for Building Automation Management Systems.

We have conscientiously established a worldwide reputation as an industry leader by maintaining leading-edge design technology, prompt technical support, and a commitment to on-time deliveries. We take pride in our Quality Management System which is ISO 9001 certified, assuring our customers of consistent product reliability.

GREYSTONE HAS AN **ISO 9001** REGISTERED QUALITY SYSTEM