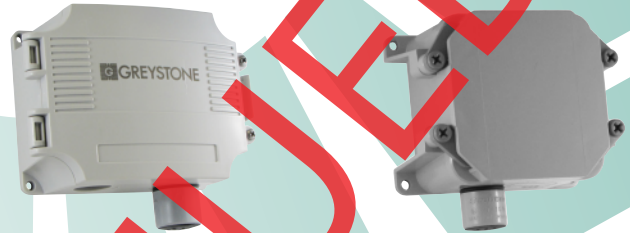




HIGH ACCURACY OUTSIDE HUMIDITY /TEMPERATURE TRANSMITTER HAHTO Series

The HAHTO series uses highly accurate and reliable Thermoset Polymer based capacitance humidity sensor and Platinum RTD temperature sensor together with state-of-the-art digital linearization and temperature compensated circuitry to monitor humidity levels. Either a hinged, gasketed ABS or PVC weatherproof enclosures provide easy of installation and protection from the elements.



SPECIFICATION:

Humidity Sensor Type.....Thermoset polymer based capacitive
 Accuracy±1% (20 to 80% RH) or
 ±2% (5 to 95% RH)
 Measurement Range.....0 to 100% RH
 Temperature Dependence.....±0.05% RH/ °C
 Hysteresis±1.5% RH maximum
 Repeatability±0.5% RH typical
 Linearity±0.5% RH typical
 Stability±1% RH typical at 50% RH in 5 yrs.
 Sensor Response Time.....15 seconds typical
 Sensitivity.....0.1% RH
 Sensor Type.....Platinum RTD 1000 Ω,
 385 Alpha @ 0°C
 Sensor Accuracy.....**RTD Class A:** ±0.15°C @ 0°C
RTD 1/3 DIN: ±0.1°C @ 0°C
RTD 1/10 DIN: ±0.03°C @ 0°C
 Accuracy±0.25% of span
 Operating Temperature-40° to 85°C (-40° to 185°F)
 Operating Humidity0 to 95% RH non-condensing
 Power Supply.....18 to 35 Vdc, 15 to 26 Vac
 Consumption.....22 mA maximum
 Input Voltage Effect.....Negligible over specified operating
 range
 Protection Circuitry.....Reverse voltage protected and
 output limited
 Output Signal.....4-20 mA current loop, 0-1, 0-5
 or 0-10 Vdc
 Output Drive at 24 Vdc.....550 ohms max for current output
 10K ohms min for voltage output
 Internal Adjustments.....Clearly marked ZERO and SPAN pots
 Wiring Connections.....Screw terminal block (14 to 22 AWG)
 Enclosure.....(A) Grey ABS - UL94-V0 - IP61(NEMA 2)
 (C) PVC - IP65 (NEMA 4X)

PART NUMBER SELECTED

PRODUCT SELECTION INFORMATION:

MODEL	Product Description
HAHTO	High Accuracy Outside Humidity/Temperature Transmitter

CODE	Enclosure
A	ABS Hinged Enclosure
C	PVC Enclosure

CODE	RH Accuracy
01	1%
02	2%

CODE	High Accuracy Temperature Sensor
18	1000 Ω Platinum, IEC 751, 385 Alpha, thin film, Class A
48	1000 Ω Platinum, IEC 751, 385 Alpha, thin film, 1/3 DIN
22	1000 Ω Platinum, IEC 751, 385 Alpha, thin film, 1/10 DIN

CODE	Output Signals (RH and Temperature)
A	4-20 mA
D	0-5 Vdc
E	0-10 Vdc

CODE	Scaled Temperature Range
1	0° - 35°C (32° - 95°F)
2	0° - 50°C (32° - 122°F)
*	Custom ranges available

Greystone Energy Systems, Inc. reserves the right to make design modifications without prior notice.

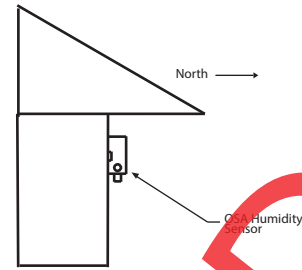
Custom Scaled Temperature Range:

TYPICAL INSTALLATION:

For complete installation and wiring details, please refer to the product installation instructions.

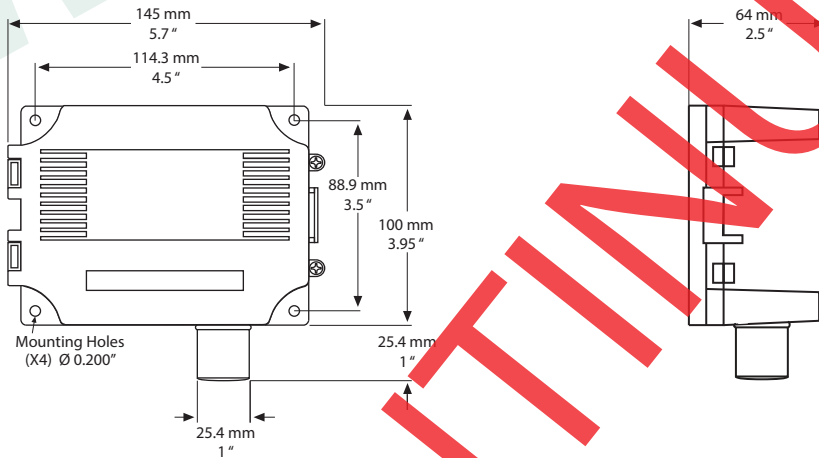
The HAHTO should be mounted on an outside North facing wall, under the eaves which will provide protection from direct sunlight and wind.

The HAHTO can be mounted directly to buildings wall face using the four provided mounting holes. There are 0.85" holes for conduit connection.

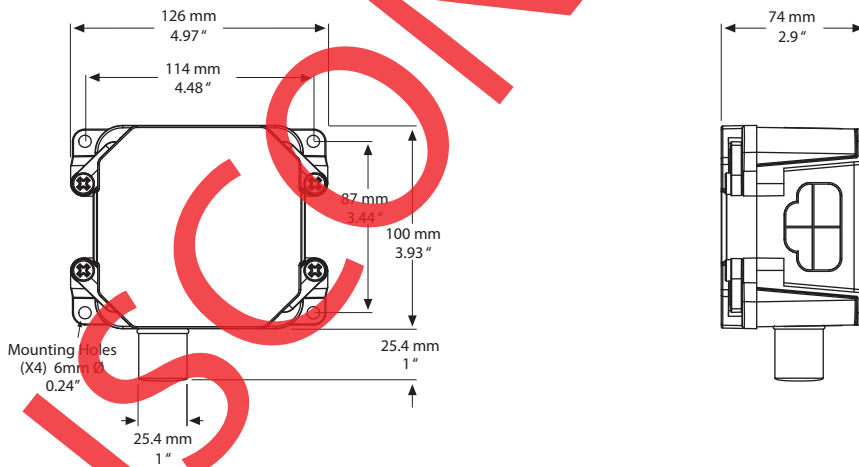


DIMENSIONS:

ABS Enclosure (D)



PVC Enclosure (C)



Greystone Energy Systems, Inc. reserves the right to make design modifications without prior notice.



GREYSTONE
ENERGY SYSTEMS INC

Greystone Energy Systems, Inc.
150 English Drive, Moncton,
New Brunswick, Canada E1E 4G7
(506) 853-3057 Fax: (506) 853-6014
North America: 1-800-561-5611
e-mail: mail@greystoneenergy.com
www.greystoneenergy.com

RoHS
COMPLIANT



Greystone Energy Systems Inc. is one of North America's largest ISO registered manufacturers of HVAC/R sensors and transmitters for Building Automation Management Systems.

We have conscientiously established a worldwide reputation as an industry leader by maintaining leading-edge design technology, prompt technical support, and a commitment to on-time deliveries. We take pride in our Quality Management System which is ISO 9001 certified, assuring our customers of consistent product reliability.

GREYSTONE HAS AN ISO 9001 REGISTERED QUALITY SYSTEM