



GREYSTONE ENERGY SYSTEMS INC

HIGH ACCURACY SPACE HUMIDITY/TEMPERATURE TRANSMITTER HAHTRC Series

The HAHTRC series uses highly accurate and reliable thermoset polymer based capacitance humidity sensor and curve matched thermistor together with state-of-the-art digital linearization and temperature compensated circuitry in an attractive, low profile enclosure to monitor room humidity & temperature levels. Options include manual override, communication jack & fan speed switch

SPECIFICATIONS:

Power Supply..... 24Vac/dc ±10% (non-isolated half-wave rectified)
 Consumption..... 60 mA max @ 24 Vdc
 Input Voltage Effect..... Negligible over specified operating range
 Protection Circuitry..... Reverse voltage and MOV protected and output limited
 Output Signals..... 4-20 mA active (sourcing) or 0-5 Vdc or 0-10 Vdc (specify when ordering)
 Output Resolution 10 bit for all signals
 Output Drive Capability..... 550 ohm max for current 10Kohm min for voltage
 Programming and Selection Via push buttons and on-screen menu
 Operating Conditions..... 0°-50°C (32°-122°F) 0-95%RH non-condensing
 Wiring Connections..... Screw terminal block (14 to 22 AWG)
 Enclosure Size..... 84mmW x 117mmH x 29mmD (3.3" x 4.6" x 1.15")

LCD DISPLAY

Display Size..... 38.1 x 16.5 mm (1.5" x 0.65")
 Digit Height..... 11.43 mm (0.45")
 Symbols..... °C, °F, %RH, OCC
 Backlight..... Enable or disable via menu

TEMPERATURE

Accuracy..... ± 0.1°C (±0.18°F)
 Range..... 0° to 35°C (32° to 95°F) or 0° to 50°C (32° to 122°F) programmable
 Offset..... ±5.0° C programmable
 Display Units..... °C or °F programmable
 Display Resolution..... 0.1° <100°, 1° >100°
 Stability..... +/- 0.1°C (0.2°F) / year

RH

Sensor..... Thermoset polymer based capacitive
 Accuracy..... ±1% (30 to 70% RH) ±2% (5 to 95%RH)
 Range..... 0-100% RH
 Temperature Compensation 0° to 50°C (32° to 122°F)
 Hysteresis..... ± 3% RH
 Response Time..... 15 seconds typical
 Stability..... +/- 0.5 %RH / year
 Offset..... ±20% RH programmable

VERRIDE

Front panel, momentary push-button, 2 wire dry contact
 Switch ratings..... N.O., SPST, 50 mA @12 Vdc

OCCUPIED INPUT

Signal Type..... Digital input, 0/5 Vdc or dry contact to common
 Logic..... Active low or active high, programmable
 Action..... Causes "OCC" segment to light on LCD



PART NUMBER SELECTED

PRODUCT SELECTION INFORMATION:

MODEL	Product Description
HAHTRC	High Accuracy Room Humidity/Temperature Transmitter

CODE	Accuracy
1	1%
2	2%

CODE	LCD Display
N	Concealed
L	Viewable

CODE	Output
I	4-20 mA output
V	0-5 Vdc or 0-10 Vdc output - Jumper selectable

CODE	Options
S	Override switch (Includes OCC input)
J	Communication Jack (3.5 mm phono)
F	Fan speed switch

Greystone Energy Systems, Inc. reserves the right to make design modifications without prior notice.

FAN SPEED SWITCH

Range..... Off, Auto, Low, Medium, High
 Signal..... Resistance: 0, 2, 4, 6, 8 KΩ (Custom ranges available)

NETWORK COMMUNICATIONS

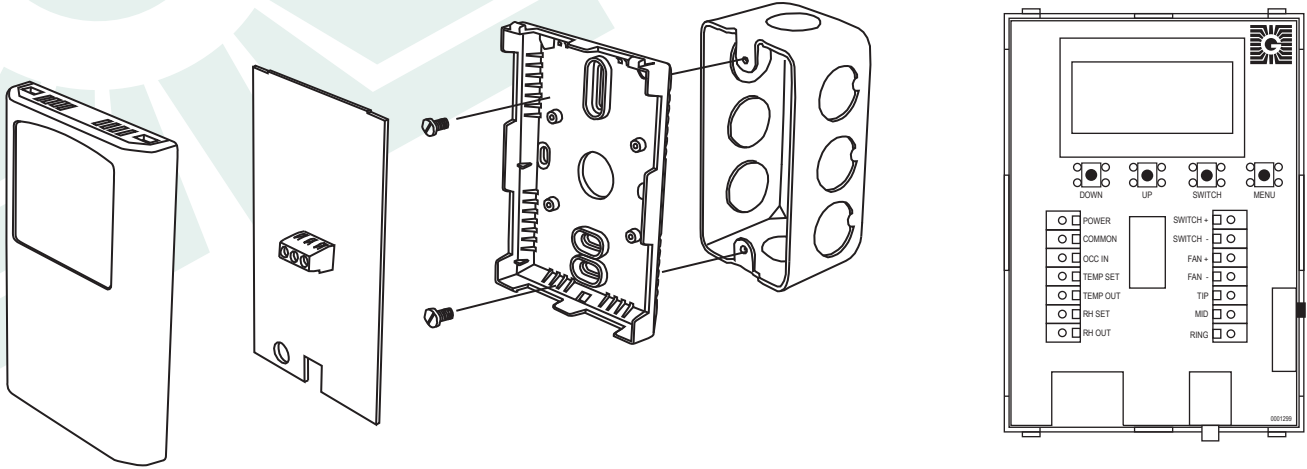
3.5mm phono jack..... Ring/Mid/Tip connections to a 3-pin terminal block

TYPICAL INSTALLATION:

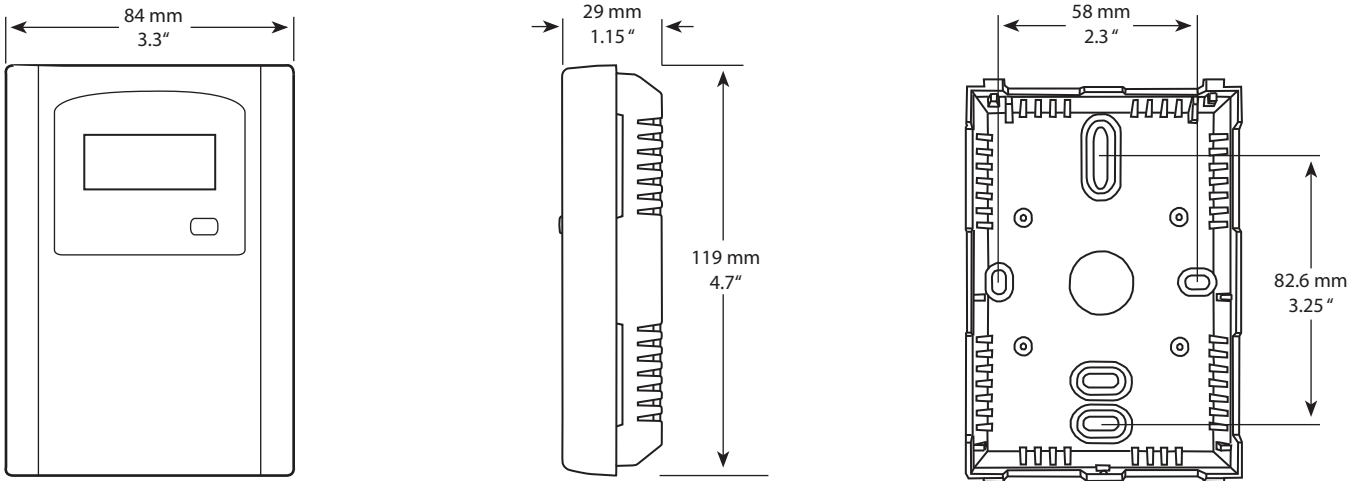
For complete installation and wiring details, please refer to the product installation instructions.

The HAHTRC series can be mounted directly to a single gang electrical box or directly to a wall. Insulating foam is adhered to the back of the enclosure to provide a thermal barrier from wall temperatures.

A terminal block connection is provided for connection to the Building Automation System.



DIMENSIONS



Greystone Energy Systems Inc.
150 English Drive, Moncton, NB
Canada E1E 4G7

(506) 853-3057 Fax: (506) 853-6014
North America: 1-800-561-5611
e-mail: mail@greystoneenergy.com
www.greystoneenergy.com



Greystone Energy Systems Inc. is one of North America's largest ISO registered manufacturers of HVAC sensors and transducers for Building Automation Management Systems.

We have conscientiously established a worldwide reputation as an industry leader by maintaining leading-edge design technology, prompt technical support, and a commitment to on-time deliveries. We take pride in our Quality Management System which is ISO 9001 certified, assuring our customers of consistent product reliability.