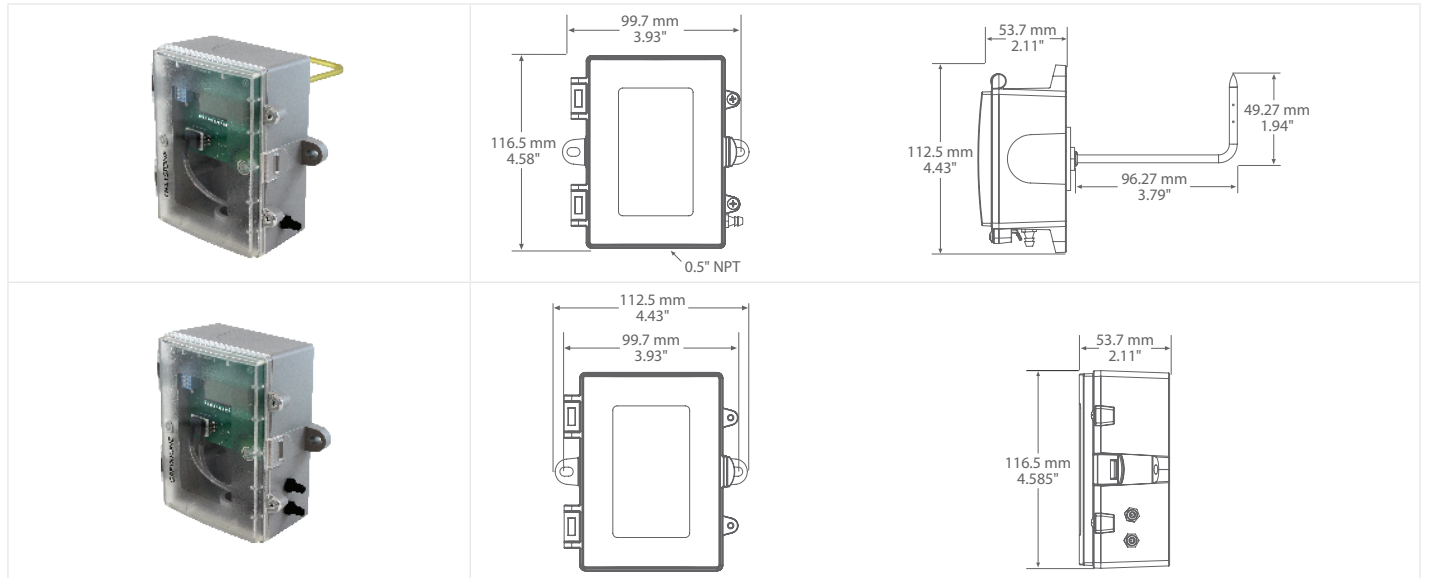




HIGH ACCURACY LOW PRESSURE TRANSMITTER



HALP SERIES

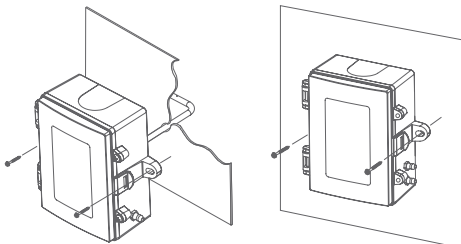
PRODUCT DESCRIPTION

The HALP series is used to measure positive, negative or differential pressure. The piezoresistive sensor is ideal for monitoring the pressure of air or other clean inert gas. Typical HVAC applications include monitoring of filter differential pressure or VAV applications. An optional static pressure probe provides ease of installation for duct mounting. Several accessories are available. A hinged and gasketed polycarbonate enclosure is provided for ease of installation.

TYPICAL INSTALLATION

For complete installation and wiring details, please refer to the product installation instructions.

The HALP mounts on any surface using the two holes provided on the base of the unit. Make sure there is enough space around the unit to connect the pressure tubing without kinking, and avoid locations where severe vibrations or excessive moisture are present.

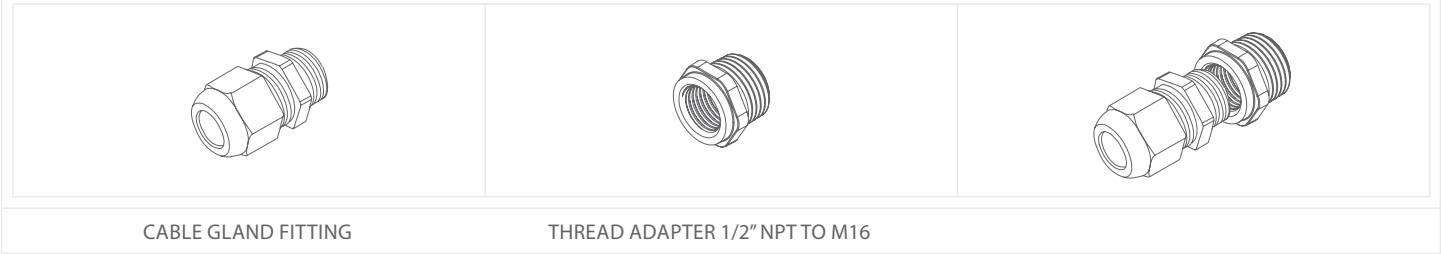


SPECIFICATIONS

ACCURACY	±0.5% F.S.O.
MEASUREMENT TYPE	Differential (LP-X: two port, LP-S: single port), Static, Velocity, & Total Pressure
RESPONSE TIME	250 ms
STABILITY	<±0.5% F.S.O. per year
THERMAL EFFECTS	<±3% over compensated range
COMPENSATED RANGE	0 to 50°C (32 to 122°F)
PROOF PRESSURE	40" W.C. (100" for 10", 20" & 40" Models)
BURST PRESSURE	60" W.C. (200" for 10", 20" & 40" Models)
OPERATING CONDITIONS	0 to 50°C (32 to 122°F), 5 to 95 %RH, non-condensing
POWER SUPPLY	20 to 28 Vac/dc (non-isolated half-wave rectified)
SUPPLY CURRENT	Current: 20 mA max Voltage: <4 mA min
INPUT VOLTAGE EFFECT	Negligible over operating range
PROTECTION CIRCUITRY	Reverse voltage protected and output limited
OUTPUT SIGNAL	4-20 mA (2-wire), 0-5 or 0-10 Vdc (3-wire), switch selectable
OUTPUT DRIVE CAPABILITIES @ 24 VDC	Current: 400 Ω max Voltage: 10K Ω min
ZERO ADJUSTMENTS	Pushbutton auto-zero
WIRING CONNECTIONS	Screw terminal block (14 to 22 AWG)
PRESSURE CONNECTION	Barbed ports for 5 mm (0.170" ID) flexible tubing
CONDUIT CONNECTION	1/2" NPT conduit or cable gland
DISPLAY	3 1/2 digit LCD, 0.4" digit height
ENCLOSURE	B: Grey Polycarbonate UL94-V0, IP65 (NEMA 4X) F: Same as B, with thread adapter (1/2" NPT to M16) and cable gland fitting
APPROVALS	CE, ROHS
COUNTRY OF ORIGIN	Canada



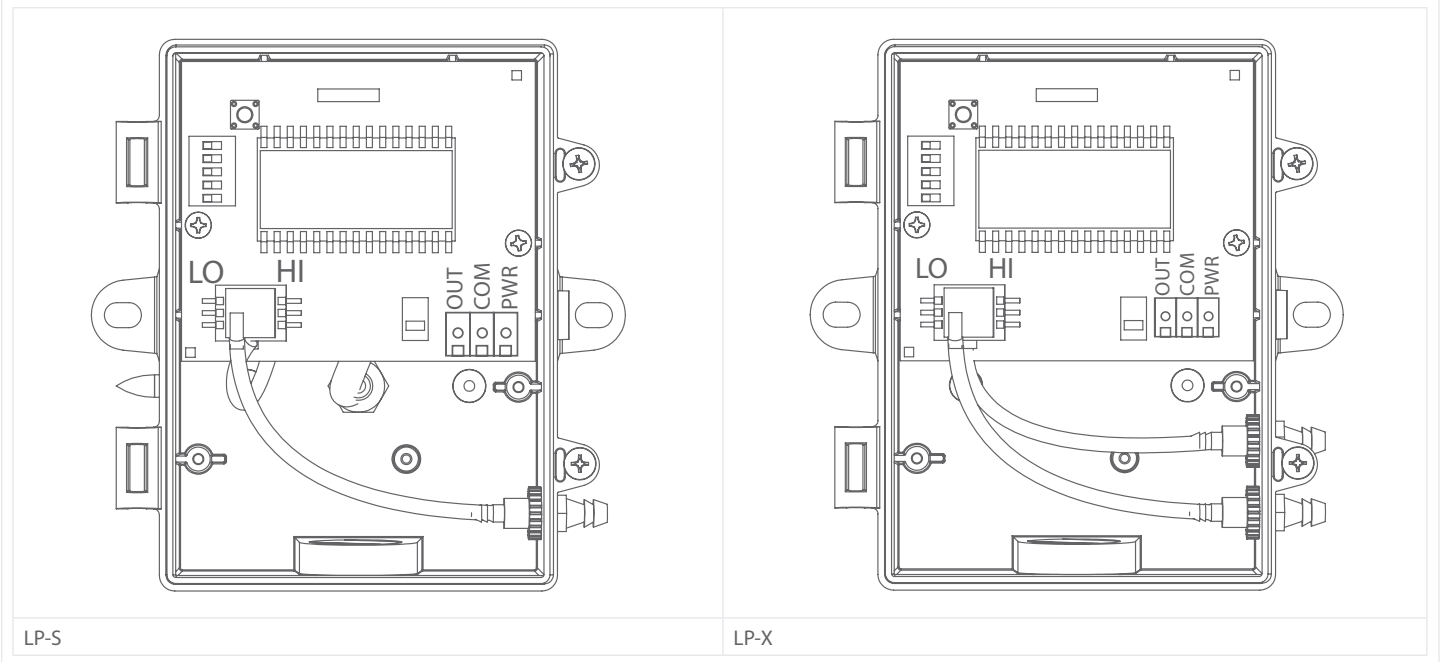
ACCESSORIES - INCLUDED WITH F ENCLOSURE OPTION



CABLE GLAND FITTING

THREAD ADAPTER 1/2" NPT TO M16

PCB CONFIGURATIONS



LP-S

LP-X

ORDERING

PRODUCT	HALP	High Accuracy Low Pressure Transmitter
ENCLOSURE	B	Polycarbonate with hinged and gasketed cover
	F	Same as B, with thread adapter & cable gland fitting
OUTPUT	00	$\pm 4''$, $\pm 2''$, $\pm 1''$, 0-4", 0-2", 0-1" WC
	01	$\pm 8''$, $\pm 5''$, $\pm 3''$, 0-8", 0-5", 0-3" WC
	02	$\pm 12''$, $\pm 10''$, $\pm 6''$, 0-12", 0-10", 0-6" WC
	03	$\pm 20''$, $\pm 15''$, $\pm 10''$, 0-20", 0-15", 0-10" WC
	04	± 1000 Pa, ± 500 Pa, ± 250 Pa, 0-1000 Pa, 0-5000 Pa, 0-250 Pa
	05	± 2000 Pa, ± 1000 Pa, ± 500 Pa, 0-2000 Pa, 0-1000 Pa, 0-500 Pa
	06	$\pm 40''$, $\pm 30''$, $\pm 10''$, 0-40", 0-30", 0-10" WC
PROBE	X	No Probe
	S	Static Probe

NOTE: Greystone Energy Systems, Inc. reserves the right to make design modifications without prior notice.

PART NUMBER

HALP



Greystone Energy Systems, Inc.
150 English Drive, Moncton,
New Brunswick, Canada E1E 4G7

Ph: +1 (506) 853-3057 Fax: +1 (506) 853-6014
North America: 1-800-561-5611
E-mail: mail@greystoneenergy.com