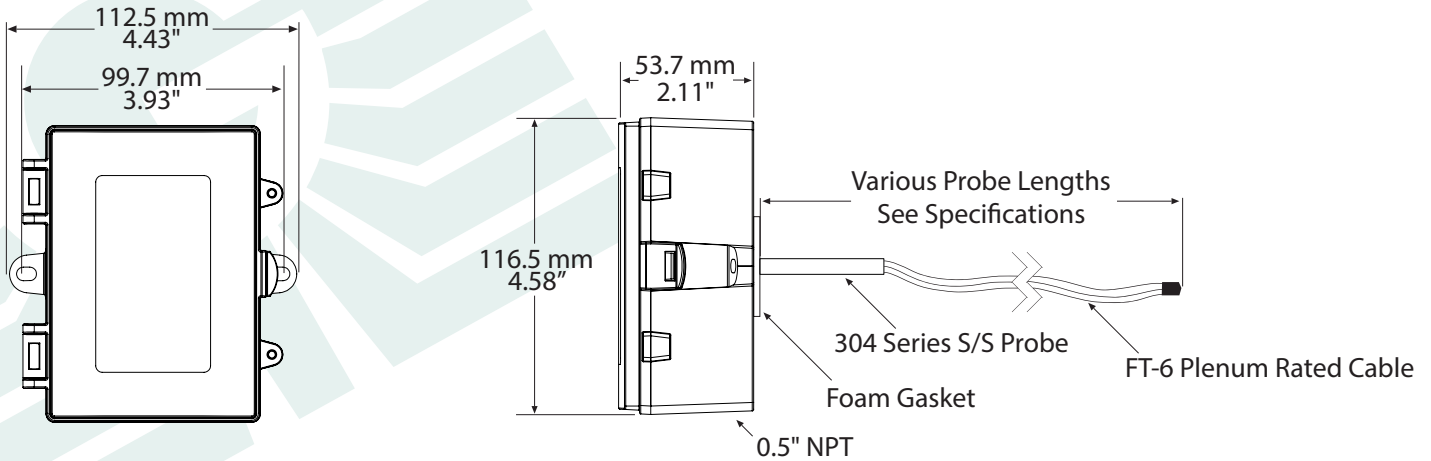
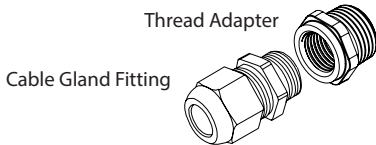




## DIMENSIONS:



Included with F style enclosure



**GREYSTONE**  
**ENERGY SYSTEMS INC**  
 Greystone Energy Systems, Inc.  
 150 English Drive, Moncton,  
 New Brunswick, Canada E1E 4G7  
 (506) 853-3057 Fax: (506) 853-6014  
 North America: 1-800-561-5611  
 e-mail: mail@greystoneenergy.com  
 www.greystoneenergy.com

**RoHS**  
 COMPLIANT

**MADE IN CANADA**

**CE**

*Greystone Energy Systems Inc. is one of North America's largest ISO registered manufacturers of HVAC/R sensors and transmitters for Building Automation Management Systems. We have conscientiously established a worldwide reputation as an industry leader by maintaining leading-edge design technology, prompt technical support, and a commitment to on-time deliveries. We take pride in our Quality Management System which is ISO 9001 certified, assuring our customers of consistent product reliability.*

GREYSTONE HAS AN **ISO 9001** REGISTERED QUALITY SYSTEM