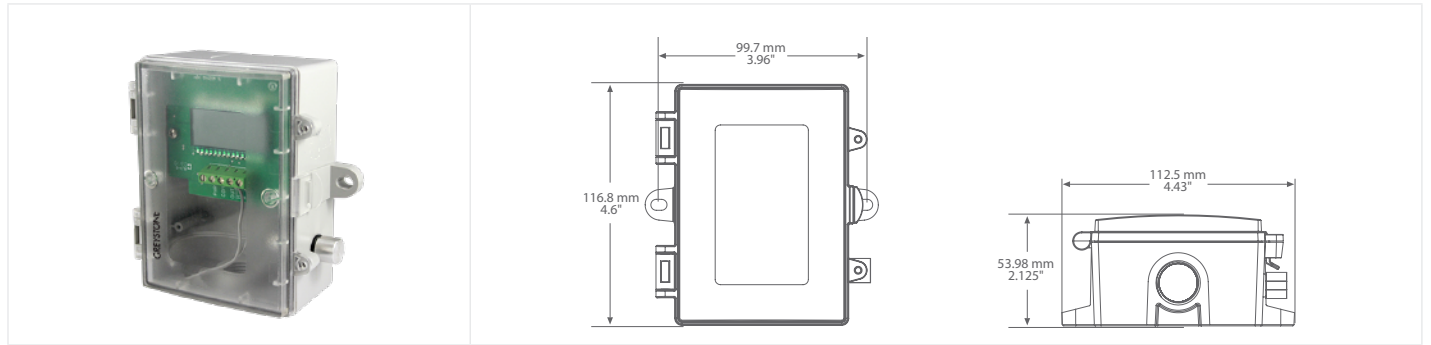




## HIGH ACCURACY HEAVY DUTY ROOM TEMPERATURE TRANSMITTER WITH LCD



### HATDHR SERIES

#### PRODUCT DESCRIPTION

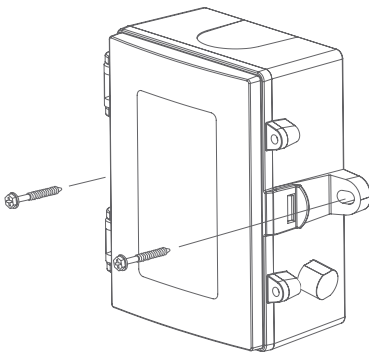
The heavy duty room temperature transmitter incorporates a precision platinum RTD in a weatherproof enclosure with a sun and wind shield to monitor outside temperature levels. A transmitter that provides a high accuracy signal with excellent long term stability, low hysteresis and fast response is available with various ranges. A weatherproof polycarbonate enclosure with a hinged and gasketed cover is provided for ease of installation. An LCD is provided in either °C or °F.

#### TYPICAL INSTALLATION

**For complete installation and wiring details, please refer to the product installation instructions.**

The heavy duty room temperature transmitter should be mounted on an interior wall that will provide protection from direct sunlight.

The heavy duty room temperature sensor can be mounted directly to the wall face using the provided mounting holes. There is one 0.85" hole for conduit connection.



#### SPECIFICATIONS

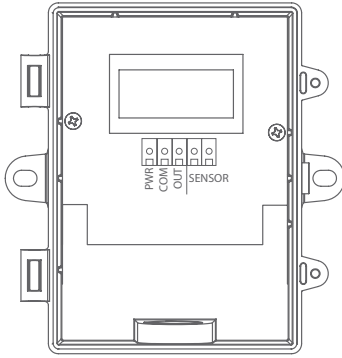
SENSOR TYPE	1000Ω Platinum, IEC 751, 385 Alpha, thin film
SENSOR ACCURACY	<b>RTD Class A:</b> ±0.15°C (±0.27°F) @ 0°C (32°F) <b>RTD 1/3 DIN:</b> ±0.1°C (±0.18°F) @ 0°C (32°F) <b>RTD 1/10 DIN:</b> ±0.03°C (±0.054°F) @ 0°C (32°F)
PROBE SENSING RANGE	0 to 50°C (32 to 122°F)
WIRE MATERIAL	FT-4, 22 AWG
OUTPUT SIGNAL	4-20 mA current loop, 0-5 Vdc, or 0-10 Vdc (factory configured)
TRANSMITTER ACCURACY	±0.2% of span, including linearity
POWER SUPPLY	15-30 Vdc or 12-28 Vac
CONSUMPTION (MAX)	<b>Current:</b> 20 mA <b>Voltage:</b> 11 mA
PROTECTION CIRCUITRY	Reverse voltage protected and output limited
OUTPUT DRIVE @ 24 VDC	<b>Current:</b> 700Ω max <b>Voltage:</b> 20,000Ω min
LCD DISPLAY UNITS	°C or °F (factory configured)
DISPLAY RANGE	3 digit for -88.8 to 888 as required
DISPLAY SIZE	38.1mm W x 16.5mm H (1.5" x 0.65")
DIGIT HEIGHT	11.4mm (0.45") plus °C/°F symbol
AMBIENT OPERATING RANGE	0 to 50°C (32 to 122°F), 0 to 95 %RH
ENCLOSURE	<b>B:</b> Grey polycarbonate UL94-V0, IP65 (NEMA 4X) <b>F:</b> Same as B with thread adapter (1/2" NPT to M16) and cable gland fitting
WIRING CONNECTIONS	Screw terminal block (14 to 22 AWG)
COUNTRY OF ORIGIN	Canada

#### OPTIONAL ACCESSORIES - INCLUDED WITH F ENCLOSURE OPTION





## WIRING INFORMATION



TERMINAL	FUNCTION
PWR	+ 24 Vdc/ac power supply
COM	Common
OUT	Analog Output
SEN	Negative
SEN	Excitation

## ORDERING

PRODUCT	HATDHR	High Accuracy Heavy Duty Room Temperature Transmitter with Display
ENCLOSURE	<b>B</b> <b>F</b>	Polycarbonate, with hinged and gasketed cover Same as B, with thread adapter (1/2" NPT to M16) and cable gland fitting
DISPLAY UNITS	<b>C</b> <b>F</b>	Celsius Fahrenheit
SENSOR	<b>18X</b> <b>48X</b> <b>22X</b>	1000Ω, Platinum, 2 wire, IEC 751, 385 Alpha, thin film, Class A 1000Ω, Platinum, 2 wire, IEC 751, 385 Alpha, thin film 1/3 DIN 1000Ω, Platinum, 2 wire, IEC 751, 385 Alpha, thin film 1/10 DIN
OUTPUT	<b>A</b> <b>D</b> <b>E</b>	4-20 mA, 2 or 3 wire 0-5 Vdc, 3 wire 0-10 Vdc, 3 wire
SCALED RANGE	<b>001</b> <b>002</b>	0 to 35°C (32 to 95°F) 0 to 50°C (32 to 122°F)

## PART NUMBER

HATDHR

NOTE: Greystone Energy Systems, Inc. reserves the right to make design modifications without prior notice.