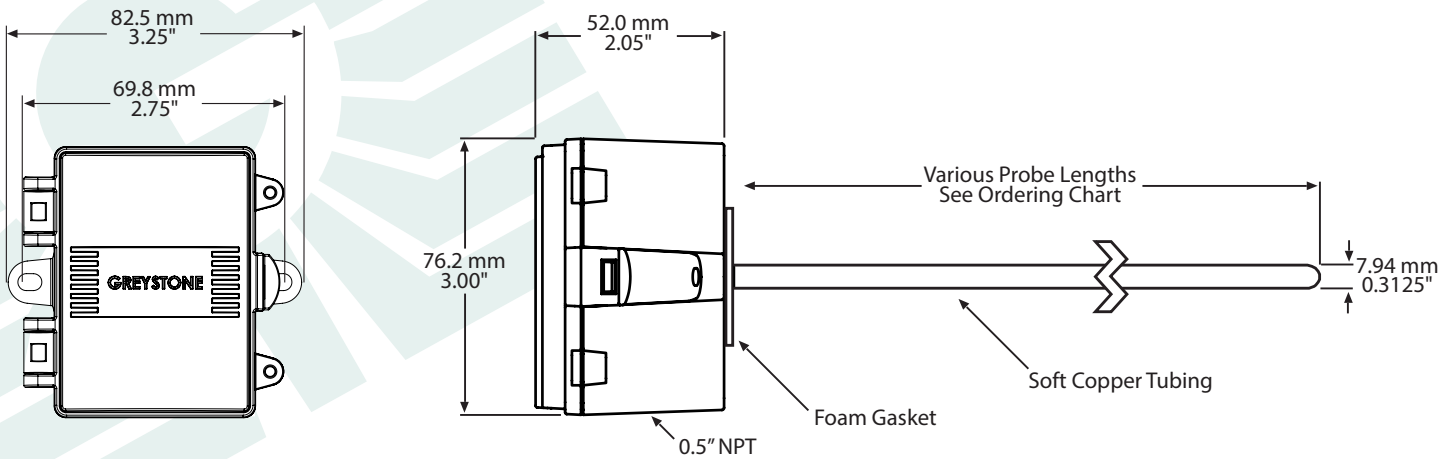




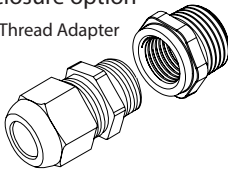
## DIMENSIONS:



Included with E enclosure option

Thread Adapter

Cable Gland Fitting



# GREYSTONE

ENERGY SYSTEMS INC

Greystone Energy Systems, Inc.

150 English Drive, Moncton,  
New Brunswick, Canada E1E 4G7

(506) 853-3057 Fax: (506) 853-6014

North America: 1-800-561-5611

e-mail: mail@greystoneenergy.com

www.greystoneenergy.com

RoHS  
COMPLIANT



*Greystone Energy Systems Inc. is one of North America's largest ISO registered manufacturers of HVAC/R sensors and transmitters for Building Automation Management Systems.*

*We have conscientiously established a worldwide reputation as an industry leader by maintaining leading-edge design technology, prompt technical support, and a commitment to on-time deliveries. We take pride in our Quality Management System which is ISO 9001 certified, assuring our customers of consistent product reliability.*

GREYSTONE HAS AN ISO 9001 REGISTERED QUALITY SYSTEM