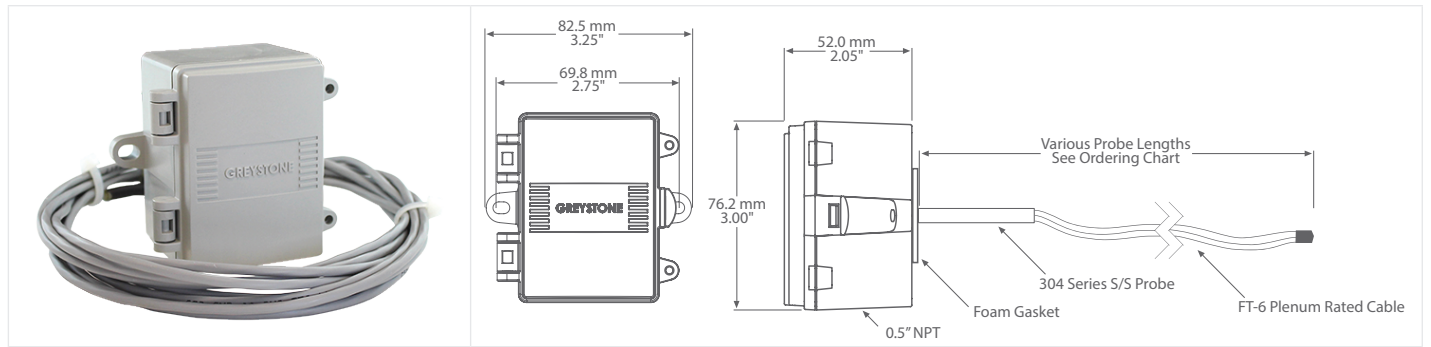




HIGH ACCURACY FLEX-DUCT AVERAGE TEMPERATURE TRANSMITTER



HATXDF SERIES

PRODUCT DESCRIPTION

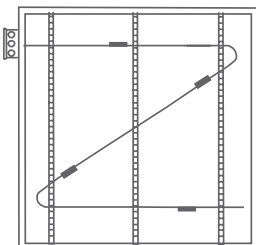
The high accuracy flexible, multi-point duct averaging mounted temperature transmitter is available with a selection of platinum RTD sensors and a transmitter that provides a high accuracy signal with excellent long term stability, low hysteresis and fast response. They are available with various scaled ranges. The sensing cable is constructed to provide excellent heat transfer, fast response time and is available in several lengths and quantity of sensing elements.

TYPICAL INSTALLATION

For complete installation and wiring details, please refer to the product installation instructions.

The flex-duct average probes are installed through a hole in the side of the duct to monitor an average temperature within the duct. Select a probe length that allows for criss-crossing the duct multiple times. Install the probes in a straight section of duct at a suitable distance downstream from any heating, cooling, or humidification devices. **The cable probe needs to be fastened onto hangers using tube clamps or wire ties and should be secured every 100 cm or 3' maximum to prevent movement of the wire and prevent wear. If sensor is to be used in high velocity or vibration environment use of rigid style duct probe is recommended.**

The enclosure provides mounting tabs for ease of installation.



SPECIFICATIONS

SENSOR TYPE	1000Ω Platinum, IEC 751, 385 Alpha, thin film
SENSOR ACCURACY	RTD Class A: ±0.15°C (±0.27°F) @ 0°C (32°F) RTD 1/3 DIN: ±0.1°C (±0.18°F) @ 0°C (32°F) RTD 1/10 DIN: ±0.03°C (±0.054°F) @ 0°C (32°F)
PROBE SENSING RANGE	-20 to 60°C (-4 to 140°F)
WIRE MATERIAL	FT-6 rated plenum cable, 22 AWG
STANDARD LENGTHS	1800, 3600, 6100, 7300mm (6', 12', 20', 24')
OUTPUT SIGNAL	4-20 mA current loop, 0-5 Vdc or 0-10 Vdc (factory configured)
TRANSMITTER ACCURACY	±0.1% of span, including linearity
OUTPUT DRIVE @ 24 VDC	Current: 600Ω maximum Voltage: 10 KΩ minimum
POWER SUPPLY	0-5 Vdc: 10-35 Vdc or 10-28 Vac 0-10 Vdc: 15-35 Vdc or 15-28 Vac 4-20 mA: 15-35 Vdc (Loop-powered) or 22-28 Vac
CURRENT CONSUMPTION	Current: 20 mA Voltage: 5 mA
MAXIMUM CURRENT (VOLTAGE)	5 mA nominal
MAXIMUM OUTPUT (VOLTAGE)	Limited to <5.5 Vdc for 0-5 Vdc <10.5 for 0-10 Vdc
INPUT VOLTAGE EFFECT	Negligible over specified operating range
PROTECTION CIRCUITRY	Reverse voltage protected and output limited
AMBIENT OPERATING RANGE	-40 to 50°C (-40 to 122°F), 5 to 95 %RH non-condensing
ENCLOSURE	A: ABS, UL94-V0, IP65 (NEMA 4X) E: Same as E, with thread adapter (1/2" NPT to M16), and cable gland fitting
TERMINATION	Screw terminal block (14 to 22 AWG)
APPROVALS	CE
COUNTRY OF ORIGIN	Canada

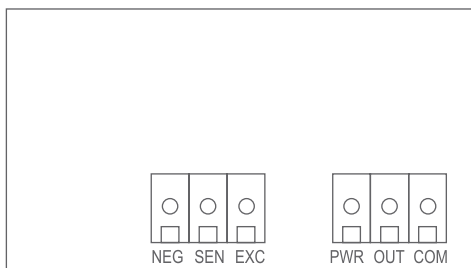
NOTE: This product is factory calibrated and any field adjustment will void the warranty.

ACCESSORIES - INCLUDED WITH E ENCLOSURE OPTION





WIRING INFORMATION



TERMINAL	FUNCTION
PWR	Power Supply
OUT	Analog Output
COM	Common
NEG	Temperature Sensor Input
SEN	
EXC	

ORDERING

PRODUCT	HATXDF	High Accuracy Flexible cable duct average temperature Transmitter
ENCLOSURE	A E	ABS, with hinged and gasketed cover Same as A, with thread adapter and cable gland fitting
SENSOR	18 48 22	1000 Ω Platinum, IEC 751, 385 Alpha, thin film, Class A 1000 Ω Platinum, IEC 751, 385 Alpha, thin film, 1/3 DIN 1000 Ω Platinum, IEC 751, 385 Alpha, thin film, 1/10 DIN
PROBE LENGTH	I J K L	1800mm (6') (4 sensors) 3600mm (12') (4 sensors) 6100mm (20') (4 sensors) 7300mm (24') (9 sensors)
OUTPUT	A D E	4-20 mA 0-5 Vdc 0-10 Vdc
SCALED RANGE	001 002 *	0 to 35°C (32 to 95°F) 0 to 50°C (32 to 122°F) Additional ranges available

PART NUMBER

HATXDF

NOTE: Greystone Energy Systems, Inc. reserves the right to make design modifications without prior notice.