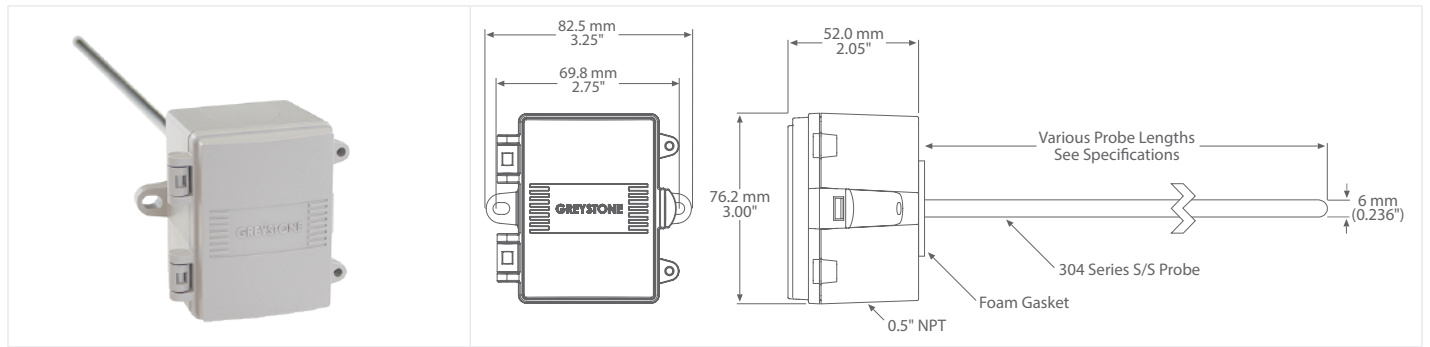




HIGH ACCURACY RIGID DUCT AVERAGE TEMPERATURE TRANSMITTER



HATXDR SERIES

PRODUCT DESCRIPTION

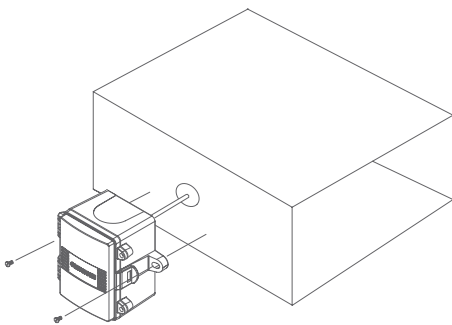
The high accuracy multi point rigid duct average temperature transmitter incorporates numerous precision platinum RTD's at equal distances encapsulated in a 6.00 mm (0.236") OD, 304 series stainless steel probe and is available in various lengths. All probes provide excellent heat transfer, fast response and resist moisture penetration. A transmitter that provides a high accuracy signal with excellent long term stability, low hysteresis and fast response is available with various ranges.

TYPICAL INSTALLATION

For complete installation and wiring details, please refer to the product installation instructions.

The rigid duct average type probes are installed in the side of the duct to monitor the average temperature within the duct. Select a probe length that allows the probe to span the duct width. Install the probe in a straight section of duct at a suitable distance downstream from any heating, cooling, or humidification devices.

The enclosure provides mounting tabs for ease of installation.



SPECIFICATIONS

| | |
|---------------------------|---|
| SENSOR TYPE | 1000Ω Platinum, IEC 751, 385 Alpha, thin film |
| SENSOR ACCURACY | RTD Class A: ±0.15°C (±0.27°F) @ 0°C (32°F) RTD 1/3 DIN: ±0.1°C (±0.18°F) @ 0°C (32°F) RTD 1/10 DIN: ±0.03°C (±0.054°F) @ 0°C (32°F) |
| PROBE SENSING RANGE | -40 to 60°C (-40 to 140°F) |
| WIRE MATERIAL | PVC/Kynar, 28 AWG |
| PROBE MATERIAL | 304 series stainless steel |
| PROBE DIAMETER | 6 mm (0.236") |
| STANDARD LENGTHS | 450, 600, 900mm (18", 24", 36") |
| OUTPUT SIGNAL | 4-20 mA current loop, 0-5 Vdc or 0-10 Vdc (factory configured) |
| TRANSMITTER ACCURACY | ±0.1% of span, including linearity |
| OUTPUT DRIVE @ 24 VDC | Current: 600Ω maximum Voltage: 10 KΩ minimum |
| POWER SUPPLY | 0-5 Vdc: 10-35 Vdc or 10-28 Vac 0-10 Vdc: 15-35 Vdc or 15-28 Vac 4-20 mA: 15-35 Vdc (Loop-powered) or 22-28 Vac |
| CURRENT CONSUMPTION | Current: 20 mA Voltage: 5 mA |
| MAXIMUM CURRENT (VOLTAGE) | 5 mA nominal |
| MAXIMUM OUTPUT (VOLTAGE) | Limited to <5.5 Vdc for 0-5 Vdc <10.5 for 0-10 Vdc |
| INPUT VOLTAGE EFFECT | Negligible over specified operating range |
| PROTECTION CIRCUITRY | Reverse voltage protected and output limited |
| AMBIENT OPERATING RANGE | -40 to 50°C (-40 to 122°F), 5 to 95 %RH non-condensing |
| ENCLOSURE | A: ABS, UL94-V0, IP65 (NEMA 4X) E: Same as E, with thread adapter (1/2" NPT to M16), and cable gland fitting |
| TERMINATION | Screw terminal block (14 to 22 AWG) |
| APPROVALS | CE |
| COUNTRY OF ORIGIN | Canada |

NOTE: This product is factory calibrated and any field adjustment will void the warranty.

ACCESSORIES - INCLUDED WITH E ENCLOSURE OPTION

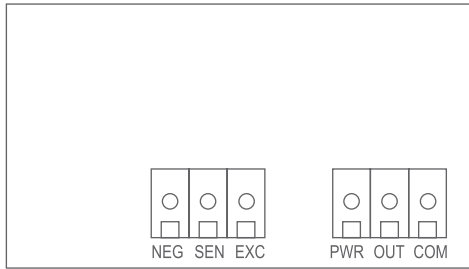


CABLE GLAND FITTING

THREAD ADAPTER 1/2" NPT TO M16



WIRING INFORMATION



| TERMINAL | FUNCTION |
|----------|--------------------------|
| PWR | Power Supply |
| OUT | Analog Output |
| COM | Common |
| NEG | Temperature Sensor Input |
| SEN | |
| EXC | |

ORDERING

| | HATXDR | High Accuracy Rigid Duct Average Temperature Transmitter |
|--------------|--------------------------------------|--|
| PRODUCT | | |
| ENCLOSURE | A E | ABS, with hinged and gasketed cover Same as A, with thread adapter and cable gland fitting |
| SENSOR | 18 48 22 | 1000 Ω Platinum, IEC 751, 385 Alpha, thin film, Class A 1000 Ω Platinum, IEC 751, 385 Alpha, thin film, 1/3 DIN 1000 Ω Platinum, IEC 751, 385 Alpha, thin film, 1/10 DIN |
| PROBE LENGTH | F G H | 450mm (18") 600mm (24") 900mm (36") |
| OUTPUT | A D E | 4-20 mA 0-5 Vdc 0-10 Vdc |
| SCALED RANGE | 001 002 * | 0 to 35°C (32 to 95°F) 0 to 50°C (32 to 122°F) Additional ranges available |

PART NUMBER

| HATXDR |
|--------|
| |
| |
| |
| |
| |
| |

NOTE: Greystone Energy Systems, Inc. reserves the right to make design modifications without prior notice.