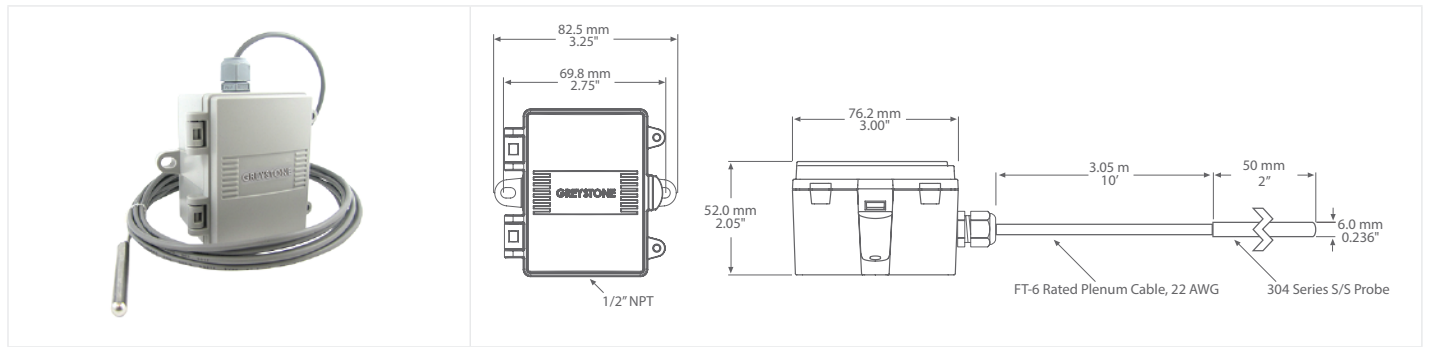




HIGH ACCURACY FLYING LEAD TEMPERATURE TRANSMITTER



HATXFL SERIES

PRODUCT DESCRIPTION

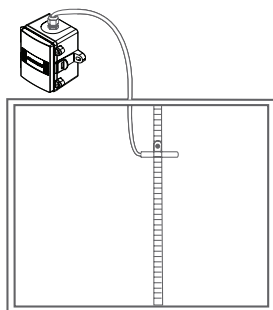
The high accuracy single point flying lead temperature transmitter utilizes a precision sensor encapsulated in 6.00 mm (0.236") OD X 50 mm (2"), 304 series stainless steel probe. Standard wire length is 3.05 m (10'). All probes are constructed to provide excellent heat transfer, fast response, and are potted to resist moisture penetration. A transmitter that provides a high precision signal with excellent long term stability, low hysteresis and fast response is provided.

TYPICAL INSTALLATION

For complete installation and wiring details, please refer to the product installation instructions.

A typical application for the flying lead type probes is to monitor a single point temperature within the duct. Install the probe in a straight section of duct at a suitable distance downstream from any heating, cooling, or humidification devices. Drill a 3/8" hole in the top of the duct and hang the sensor in the air-stream.

The enclosure provides mounting holes for ease of installation



SPECIFICATIONS

SENSOR TYPE	1000Ω Platinum, IEC 751, 385 Alpha, thin film
SENSOR ACCURACY	RTD Class A: ±0.15°C (±0.27°F) @ 0°C (32°F) RTD 1/3 DIN: ±0.1°C (±0.18°F) @ 0°C (32°F) RTD 1/10 DIN: ±0.03°C (±0.054°F) @ 0°C (32°F)
PROBE SENSING RANGE	-40 to 60°C (-40 to 140°F)
WIRE MATERIAL	FT-6 rated plenum cable, 22 AWG
WIRE LENGTH	3.05 m (10')
PROBE MATERIAL	304 series stainless steel
PROBE DIMENSIONS	6mm (0.236") diameter x 50mm (2") long
OUTPUT SIGNAL	4-20 mA current loop, 0-5 Vdc, or 0-10 Vdc (factory configured)
TRANSMITTER ACCURACY	±0.1% of span, including linearity
OUTPUT DRIVE @ 24 VDC	Current: 600Ω maximum Voltage: 10 KΩ minimum
POWER SUPPLY	0-5 Vdc: 10-35 Vdc or 10-28 Vac 0-10 Vdc: 15-35 Vdc or 15-28 Vac 4-20 mA: 15-35 Vdc (Loop-powered) or 22-28 Vac
CURRENT CONSUMPTION	Current: 20 mA Voltage: 5 mA
MAXIMUM CURRENT (VOLTAGE)	5 mA nominal
MAXIMUM OUTPUT (VOLTAGE)	Limited to <5.5 vdc for 0-5 Vdc, <10.5 for 0-10 Vdc
INPUT VOLTAGE EFFECT	Negligible over specified operating range
PROTECTION CIRCUITRY	Reverse voltage protected and output limited
AMBIENT OPERATING RANGE	-40 to 50°C (-40 to 122°F), 0 to 95 %RH non-condensing
ENCLOSURE	A: ABS, UL94-V0, IP65 (NEMA 4X) E: Same as A, with thread adapter (1/2" NPT to M16) and cable gland fitting
TERMINATION	Terminal block (14 to 22 AWG)
COUNTRY OF ORIGIN	Canada

NOTE: This product is factory calibrated and any field adjustment will void the warranty.

ACCESSORIES - INCLUDED WITH E ENCLOSURE OPTION

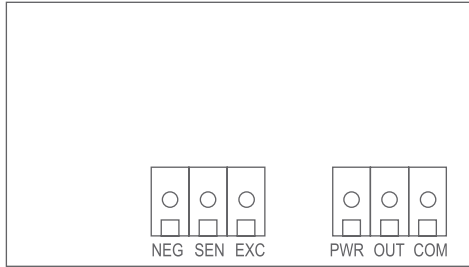


CABLE GLAND FITTING

THREAD ADAPTER 1/2" NPT TO M16



WIRING INFORMATION



TERMINAL	FUNCTION
PWR	Power Supply
OUT	Analog Output
COM	Common
NEG	Temperature Sensor Input
SEN	
EXC	

ORDERING

PRODUCT	HATXFL	High Accuracy Flying Lead Temperature Transmitter
ENCLOSURE	A E	ABS, with hinged and gasketed cover Same as A, with thread adapter (1/2" NPT to M16) and cable gland fitting
SENSOR	18X 48X 22X	1000 Ω Platinum, IEC 751, 385 Alpha, thin film, Class A 1000 Ω Platinum, IEC 751, 385 Alpha, thin film, 1/3 DIN 1000 Ω Platinum, IEC 751, 385 Alpha, thin film, 1/10 DIN
OUTPUT	A D E	4-20mA 0-5 Vdc 0-10 Vdc
SCALED RANGE	001 002 *	0 to 35°C (32 to 95°F) 0 to 50°C (32 to 122°F) Additional ranges available

PART NUMBER

HATXFL

NOTE: Greystone Energy Systems, Inc. reserves the right to make design modifications without prior notice.