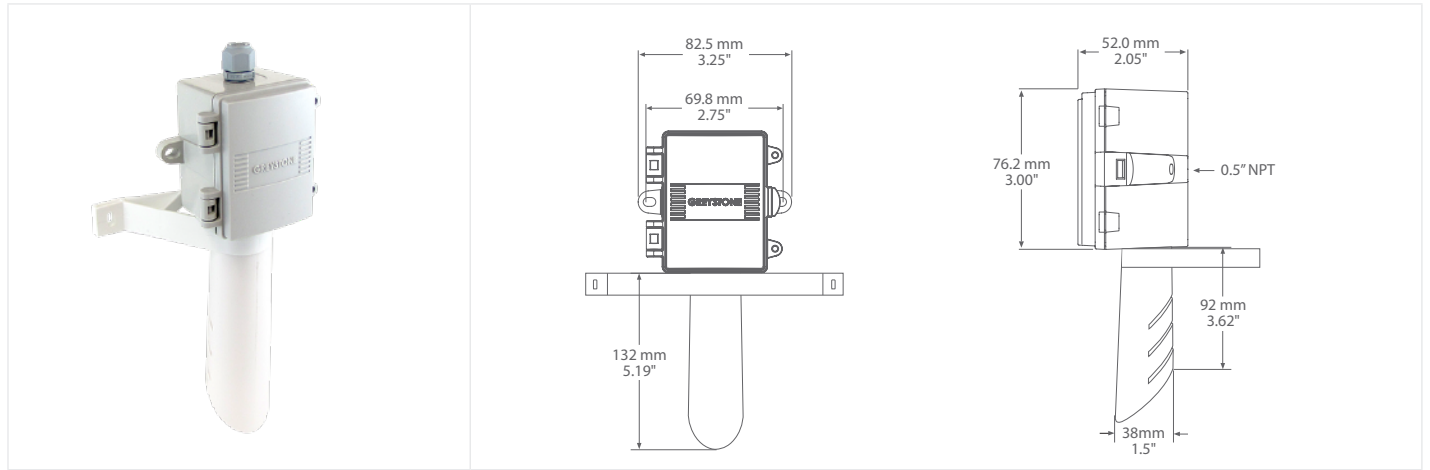




HIGH ACCURACY OUTSIDE TEMPERATURE TRANSMITTER WITH SUN/WINDSHIELD



HATXOB SERIES

PRODUCT DESCRIPTION

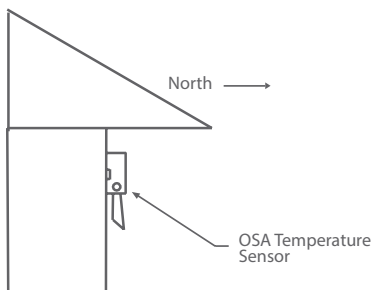
The high accuracy single point outside temperature transmitter utilizes a precision platinum RTD sensor. All probes are constructed to provide excellent heat transfer, fast response and are potted to resist moisture penetration. A sun and wind shield is integrated into the enclosure. It is provided in a weatherproof Polycarbonate enclosure. A transmitter that provides a high accuracy signal with excellent long term stability, low hysteresis and fast response is available with various ranges.

TYPICAL INSTALLATION

For complete installation and wiring details, please refer to the product installation instructions.

The outside temperature transmitter should be mounted on an outside North facing wall, under the eaves which will provide protection from direct sunlight.

The outside temperature sensor can be mounted directly to building's wall face using the provided mounting holes. There is one 0.85" hole for conduit connection.

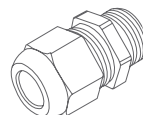


SPECIFICATIONS

SENSOR TYPE	1000Ω Platinum, IEC 751, 385 Alpha, thin film
SENSOR ACCURACY	RTD Class A: ±0.15°C (±0.27°F) @ 0°C (32°F) RTD 1/3 DIN: ±0.1°C (±0.18°F) @ 0°C (32°F) RTD 1/10 DIN: ±0.03°C (±0.054°F) @ 0°C (32°F)
WIRE MATERIAL	FT-4, 22 AWG
PROBE MATERIAL	304 Series stainless steel
PROBE DIAMETER	6 mm (0.236")
SUN/WINDSHIELD	White Polycarbonate, vented
OUTPUT SIGNAL	4-20 mA current loop, 0-5 Vdc, or 0-10 Vdc (factory configured)
TRANSMITTER ACCURACY	±0.1% of span, including linearity
OUTPUT DRIVE @ 24 VDC	Current: 600Ω maximum Voltage: 10 KΩ minimum
POWER SUPPLY	0-5 Vdc: 10-35 Vdc or 10-28 Vac 0-10 Vdc: 15-35 Vdc or 15-28 Vac 4-20 mA: 15-35 Vdc (Loop-powered) or 22-28 Vac
CURRENT CONSUMPTION	Current: 20 mA Voltage: 5 mA
MAXIMUM CURRENT (VOLTAGE)	5 mA nominal
MAXIMUM OUTPUT (VOLTAGE)	Limited to <5.5 vdc for 0-5 Vdc, <10.5 for 0-10 Vdc
INPUT VOLTAGE EFFECT	Negligible over specified operating range
PROTECTION CIRCUITRY	Reverse voltage protected and output limited
AMBIENT OPERATING RANGE	-40 to 50°C (-40 to 122°F), 0 to 95 %RH non-condensing
ENCLOSURE	A: Polycarbonate, UL94-V0, IP65 (NEMA 4X) E: Same as A, with thread adapter (1/2" NPT to M16) and cable gland fitting
TERMINATION	Terminal block (14 to 22 AWG)
APPROVALS	CE
COUNTRY OF ORIGIN	Canada

NOTE: This product is factory calibrated and any field adjustment will void the warranty.

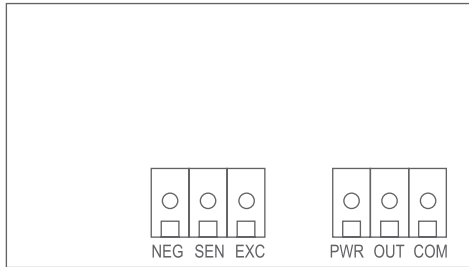
ACCESSORIES - INCLUDED WITH E ENCLOSURE OPTION



CABLE GLAND FITTING



WIRING INFORMATION



TERMINAL	FUNCTION
PWR	Power Supply
OUT	Analog Output
COM	Common
NEG	Temperature Sensor Input
SEN	
EXC	

ORDERING

PRODUCT	HATXOB	High Accuracy Outside Temperature Transmitter with Sun/Windshield
ENCLOSURE	A E	Polycarbonate, weatherproof with hinged and gasketed cover Same as A, with cable gland
SENSOR	18X 48X 22X	1000 Ω Platinum, IEC 751, 385 Alpha, thin film, Class A 1000 Ω Platinum, IEC 751, 385 Alpha, thin film, 1/3 DIN 1000 Ω Platinum, IEC 751, 385 Alpha, thin film, 1/10 DIN
OUTPUT	A D E	4-20mA 0-5 Vdc 0-10 Vdc
SCALED RANGE	001 002 006 *	0 to 35°C (32 to 95°F) 0 to 50°C (32 to 122°F) -50 to 50°C (-58 to 122°F) Additional ranges available

PART NUMBER

HATXOB

NOTE: Greystone Energy Systems, Inc. reserves the right to make design modifications without prior notice.