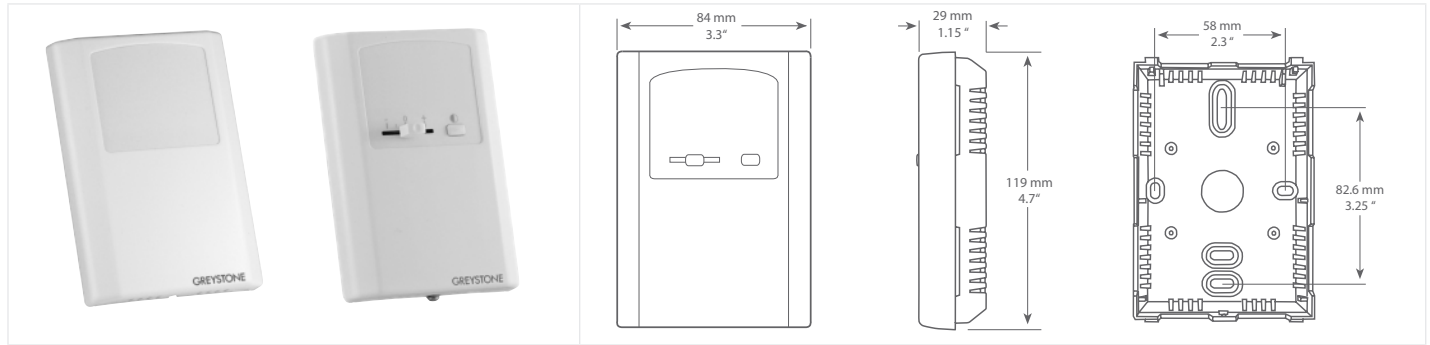




## HIGH ACCURACY ROOM TEMPERATURE TRANSMITTERS



### HATXRC SERIES

#### PRODUCT DESCRIPTION

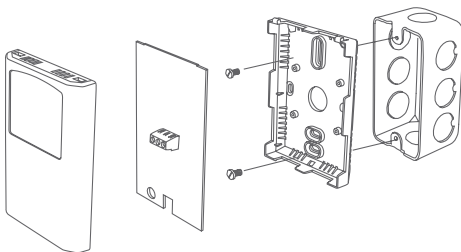
The HATXRC series room temperature transmitter is an attractive, low profile enclosure that incorporates a high accuracy platinum RTD and a transmitter that provides a high accuracy signal with excellent long term stability, low hysteresis and fast response for measurement of room temperatures. Additional options are available which include setpoint adjustment, manual override & Fan speed control.

#### TYPICAL INSTALLATION

For complete installation and wiring details, please refer to the product installation instructions.

The HATXRC series can be mounted directly to a single gang electrical box or directly to a wall. Insulation foam is adhered to the back of the enclosure to provide a thermal barrier from wall temperatures.

A terminal block connection is provided for connection to the Building Automation System.

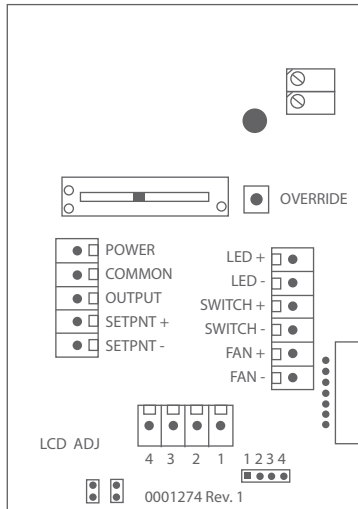


#### SPECIFICATIONS

SENSOR	1000 $\Omega$ Platinum, IEC 751, 385 Alpha, thin film
SENSOR ACCURACY	<b>RTD Class A:</b> $\pm 0.15^{\circ}\text{C}$ ( $\pm 0.27^{\circ}\text{F}$ ) @ $0^{\circ}\text{C}$ ( $32^{\circ}\text{F}$ ) <b>RTD 1/3 DIN:</b> $\pm 0.1^{\circ}\text{C}$ ( $\pm 0.18^{\circ}\text{F}$ ) @ $0^{\circ}\text{C}$ ( $32^{\circ}\text{F}$ ) <b>RTD 1/10 DIN:</b> $\pm 0.03^{\circ}\text{C}$ ( $\pm 0.054^{\circ}\text{F}$ ) @ $0^{\circ}\text{C}$ ( $32^{\circ}\text{F}$ )
OUTPUT SIGNAL	4-20 mA current loop, 0-5 Vdc, or 0-10 Vdc (factory configured)
TRANSMITTER ACCURACY	$\pm 0.1\%$ of span, including linearity
INTERNAL ADJUSTMENT.	ZERO and SPAN Pots
POWER SUPPLY	<b>0-5 Vdc:</b> 10-35 Vdc or 10-32 Vac <b>0-10 Vdc:</b> 15-35 Vdc or 15-32 Vac <b>4-20 mA:</b> 15-35 Vdc (Loop-powered) or 22-32 Vac
MINIMUM CURRENT LOOP	2 mA nominal (occurs with shorted sensor)
MAXIMUM LOOP CURRENT	22.4 mA nominal (occurs with shorted sensor)
MAXIMUM LOOP LOAD	$>600 \Omega$
MAXIMUM CURRENT (VOLTAGE)	5 mA nominal
MAXIMUM OUTPUT (VOLTAGE)	Limited to $<5.5$ Vdc for 0-5 Vdc, $<10.5$ for 0-10 Vdc
INPUT VOLTAGE EFFECT	Negligible over specified operating range
RFI REJECTION	Good RFI rejection or normal frequencies
PROTECTION CIRCUITRY	Reverse voltage protected and output limited
OPERATING CONDITIONS	0 to $50^{\circ}\text{C}$ ( $32$ to $122^{\circ}\text{F}$ ), 0 to 95 %RH, non-condensing
ENCLOSURE	White ABS - IP30 (NEMA 1) 84mm W x 117mm H x 29mm D (3.3" x 4.6" x 1.15")
WIRING CONNECTIONS	Screw terminal block (14 to 22 AWG)
OPTIONAL SETPOINT ADJUSTMENT	<b>Type:</b> Front panel slidepot, 2 wire resistance output <b>Range:</b> 0K to 10K $\Omega$ standard <b>Custom Spans Available:</b> 1K, 2K, 5K, 10K, or 20K $\Omega$
OPTIONAL MANUAL OVERRIDE	<b>Type:</b> Front panel, momentary pushbutton <b>Front Panel Pushbutton:</b> 50 mA @ 12 Vdc, N.O., SPST
OPTIONAL STATUS LED INPUT	<b>Signal Type:</b> Active high, low or 2 wire, 5V current limited standard <b>LED Colors:</b> Yellow (Y), Red (R), or Green (G) <b>Power Supply:</b> 5 Vdc standard, 10 or 24 Vdc optional
OPTIONAL COMMUNICATION JACKS	<b>Molex:</b> 4 Pin header to 4 pin terminal block. Requires HHTA - Hand Held Adapter
OPTIONAL FAN SPEED SWITCH	<b>Type:</b> Side mounted, 5 position slide switch <b>Designators:</b> Off, Auto, Low, Medium, High <b>Signal:</b> 2 wire, resistance output - 0, 2, 4, 6, 8 K $\Omega$ , Custom ranges available, contact Greystone
COUNTRY OF ORIGIN	Canada



## WIRING INFORMATION



### TERMINAL

PWR  
COM  
OUT  
SETPNT +  
SETPNT -

LED +  
LED -  
SWITCH +  
SWITCH -  
FAN +  
FAN -

### FUNCTION

Power Supply  
Common  
Analog Output  
Resistance Output  
Resistance Output

+5 Vdc Power Supply  
Common  
Digital Output  
Common  
Resistance Output  
Common

## ORDERING

PRODUCT	HATXRC	High Accuracy Room Temperature Transmitter
SENSOR	18	1000 Ω Platinum, IEC 751, 385 Alpha, thin film, Class A
	48	1000 Ω Platinum, IEC 751, 385 Alpha, thin film, 1/3 DIN
	22	1000 Ω Platinum, IEC 751, 385 Alpha, thin film, 1/10 DIN
TRANSMITTER OUTPUT	A	4-20 mA
	D	0-5 Vdc
	E	0-10 Vdc
SCALED TRANSMITTER RANGE	1	0 to 35°C (32 to 95°F)
	2	0 to 50°C (32 to 122°F)
OPTIONS (MULTIPLE SELECTIONS CAN BE MADE)	P	0-10K linear slide pot for set point control (Other range available, contact Greystone)
	S	Front panel push button momentary switch (N.O.)
	Y	Yellow LED
	R	Red LED
	G	Green LED
	E	External jack for remote system access (4 pin header)
	F	Fan speed switch, 5 position, (Off, Auto, Low, Mid, High)

NOTE: Greystone Energy Systems, Inc. reserves the right to make design modifications without prior notice.

## PART NUMBER

HATXRC