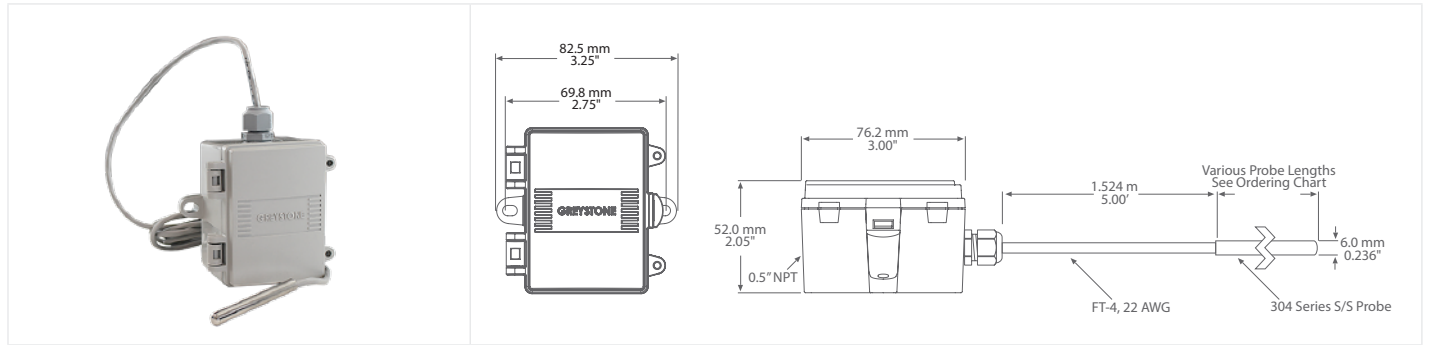




HIGH ACCURACY REMOTE PROBE STRAP-ON TEMPERATURE TRANSMITTER



HATXRP SERIES

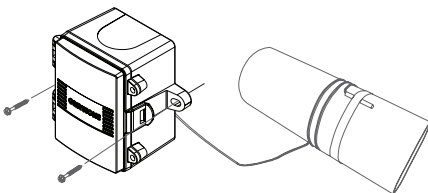
PRODUCT DESCRIPTION

The high accuracy single point strap-on temperature transmitter incorporates a precision platinum RTD encapsulated in a 6 mm (0.236") OD, 304 stainless steel probe and is available in various lengths. All probes provide excellent heat transfer, fast response and resist moisture penetration. A transmitter that provides a high accuracy signal with excellent long term stability, low hysteresis and fast response is available with various ranges.

TYPICAL INSTALLATION

For complete installation and wiring details, please refer to the product installation instructions.

Find a suitable location along the pipe where both the probe and remote enclosure can be mounted. If necessary, remove a section of insulation from pipe. Position probe directly on the pipe and secure using a pipe clamp. For added security, make 1 to 3 loops of the sensor cable around the pipe and feed through wire hole on the enclosure and secure using the supplied grommet. If applicable, the pipe insulation can be re-applied to the pipe over the probe.



SPECIFICATIONS

SENSOR TYPE	1000Ω Platinum, IEC 751, 385 Alpha, thin film
SENSOR ACCURACY	RTD Class A: ±0.15°C (±0.27°F) @ 0°C (32°F) RTD 1/3 DIN: ±0.1°C (±0.18°F) @ 0°C (32°F) RTD 1/10 DIN: ±0.03°C (±0.054°F) @ 0°C (32°F)
PROBE SENSING RANGE	-20 to 100°C (-4 to 212°F)
WIRE MATERIAL	FT-4, 22 AWG
WIRE LENGTH	1.524m (5')
PROBE MATERIAL	304 series stainless steel
PROBE DIAMETER	6 mm (0.236")
STANDARD LENGTHS	50, 100, 150, and 200 mm (2", 4", 6", and 8")
OUTPUT SIGNAL	4-20 mA current loop, 0-5 Vdc, or 0-10 Vdc (factory configured)
TRANSMITTER ACCURACY	±0.1% of span, including linearity
OUTPUT DRIVE @ 24 VDC	Current: 600Ω maximum Voltage: 10 KΩ minimum
POWER SUPPLY	0-5 Vdc: 10-35 Vdc or 10-28 Vac 0-10 Vdc: 15-35 Vdc or 15-28 Vac 4-20 mA: 15-35 Vdc (Loop-powered) or 22-28 Vac
CURRENT CONSUMPTION	Current: 20 mA Voltage: 5 mA
MAXIMUM CURRENT (VOLTAGE)	5 mA nominal
MAXIMUM OUTPUT (VOLTAGE)	Limited to <5.5 Vdc for 0-5 Vdc, <10.5 Vdc for 0-10 Vdc
INPUT VOLTAGE EFFECT	Negligible over specified operating range
PROTECTION CIRCUITRY	Reverse voltage protected and output limited
AMBIENT OPERATING RANGE	-40 to 50°C (-40 to 122°F), 5 to 95 %RH non-condensing
ENCLOSURE	A: ABS, UL94-V0, IP65 (NEMA 4X) E: Same as A, with thread adapter (1/2" NPT to M16), and cable gland fitting
TERMINATION	Terminal block (14 to 22 AWG)
APPROVALS	CE
COUNTRY OF ORIGIN	Canada

NOTE: This product is factory calibrated and any field adjustment will void the warranty.

ACCESSORIES - INCLUDED WITH E ENCLOSURE OPTION

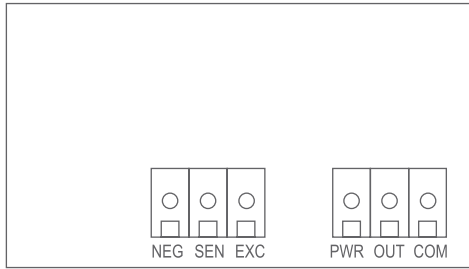


CABLE GLAND FITTING

THREAD ADAPTER 1/2" NPT TO M16



WIRING INFORMATION



TERMINAL	FUNCTION
PWR	Power Supply
OUT	Analog Output
COM	Common
NEG	Temperature Sensor Input
SEN	
EXC	

ORDERING

PRODUCT	HATXRP	High Accuracy Remote Probe Strap-on temperature Transmitter
ENCLOSURE	A E	ABS, weatherproof with hinged and gasketed cover Same as A, with thread adapter and cable gland fitting
SENSOR	18 48 22	1000 Ω Platinum, IEC 751, 385 Alpha, thin film, Class A 1000 Ω Platinum, IEC 751, 385 Alpha, thin film, 1/3 DIN 1000 Ω Platinum, IEC 751, 385 Alpha, thin film, 1/10 DIN
PROBE LENGTH	A B C D	50mm (2") 100mm (4") 150mm (6") 200mm (8")
OUTPUT	A D E	4-20mA 0-5 Vdc 0-10 Vdc
SCALED RANGE	001 002 003 *	0 to 35°C (32 to 95°F) 0 to 50°C (32 to 122°F) 0 to 100°C (32 to 212°F) Additional ranges available

PART NUMBER

HATXRP

NOTE: Greystone Energy Systems, Inc. reserves the right to make design modifications without prior notice.