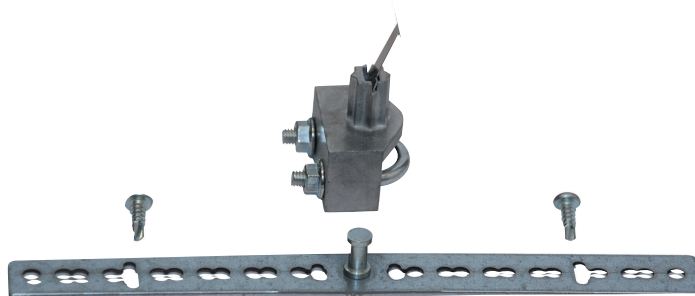


### Spindle clamp

- for TM/LM..A..-F.. with form fit 8x8 mm
- for damper spindles 13...30 mm
- Clamping range: 8...12 mm
- incl. anti-rotation mechanism 180 mm and 2 screws



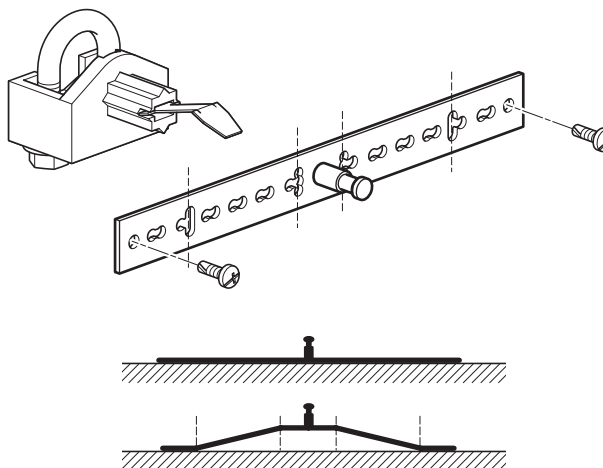
### Technical data

<b>Weight</b>	Weight	0.11 kg
	Packaging size	Single-pack

### Product features

**Used materials** Zinc die-cast  
Galvanised steel

#### Application



### Dimensions [mm]

#### Dimensional drawings

