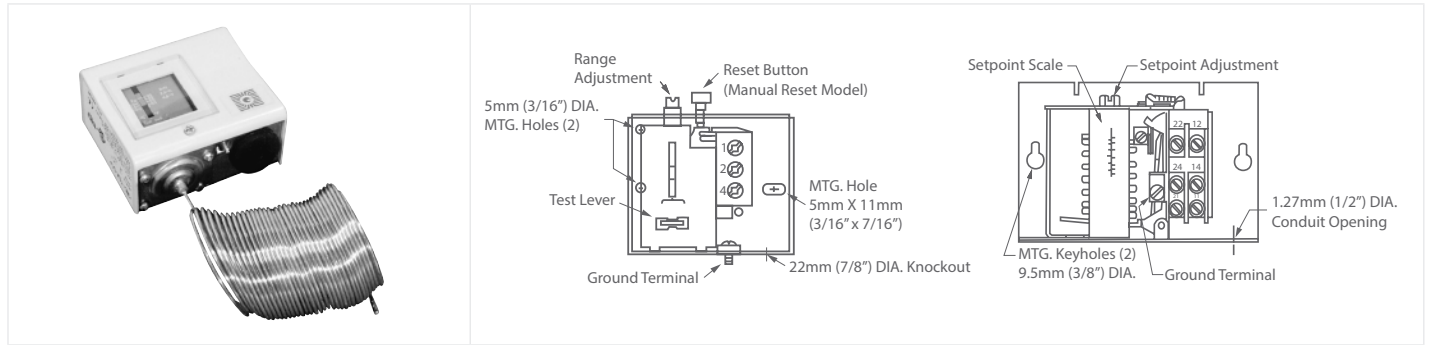




## FROST PROTECTION THERMOSTAT



### LLC SERIES

### PRODUCT DESCRIPTION

The LLC series frost protection thermostats provide a switched output based on the average temperature detected along a six meter (20 foot) capillary sensor.

The unit is fixed across a duct using capillary mounting clips, downstream of the frost coil and is used to prevent the icing up of filters, fans, and coils.

### SPECIFICATIONS

<b>SENSOR TYPE</b>	Vapor-filled copper capillary, tin plated
<b>PROBE</b>	2mm (5/64") diameter, 6.1m (20') length
<b>AMBIENT RANGE</b>	-51 to 71°C (-60 to 160°F), operating 149°C (300°F) maximum at sensing element
<b>RESPONSE</b>	To lowest temperature sensed by any 30cm (1') section of capillary element
<b>CONTROL RANGE</b>	<b>SPDT:</b> +1.7 to +20°C (35 to 68°F) <b>DPDT:</b> +1.1 to +21°C (32 to 70°F)
<b>DIFFERENTIAL</b>	2.5°C (4.5°F)
<b>SWITCH ACTION</b>	SPDT or DPDT (two SPDT), snap acting
<b>ELECTRICAL RATINGS</b>	<b>SPDT:</b> 24 F.L.A. inductive @ 120/240 Vac 144 L.R.A. inductive @ 120/240 Vac 2 HP @ 120 Vac, 3HP @ 240 Vac 720 VA max pilot duty @ 120-600 Vac 144 VA max pilot duty @ 24 Vac <b>DPDT:</b> 14 F.L.A. inductive @ 120 Vac 84 L.R.A. inductive @ 120 Vac 3/4 HP @ 120 Vac 12 F.L.A. inductive @ Vac 72 L.R.A. inductive @ Vac 2 HP @ 240 Vac 720 VA max pilot duty @ 120-600 Vac 144 VA max pilot duty @ 24 Vac
<b>ENCLOSURE</b>	Plated steel case; plastic cover IP23 (NEMA 1)
<b>DIMENSIONS</b>	<b>SPDT:</b> 75mm H x 85mm W x 40mm D (2.94" x 3.35" x 1.57") <b>DPDT:</b> 92mm H x 140mm W x 67mm D (3.63" x 5.5" x 2.36")
<b>COUNTRY OF ORIGIN</b>	Canada

### ORDERING

<b>PRODUCT</b>	<b>LLC-306</b> SPDT AU to reset frost protection thermostat <b>LLC-307</b> SPDT Manual Reset frost protection thermostat <b>LLC-316</b> DPDT Auto reset frost protection thermostat c/w 5 mounting clips <b>LLC-317</b> DPDT Manual reset frost protection thermostat c/w 5 mounting clips
<b>OPTIONS</b>	<b>LLC-CLIPS</b> Capillary mounting clips

NOTE: Greystone Energy Systems, Inc. reserves the right to make design modifications without prior notice.

### PART NUMBER
